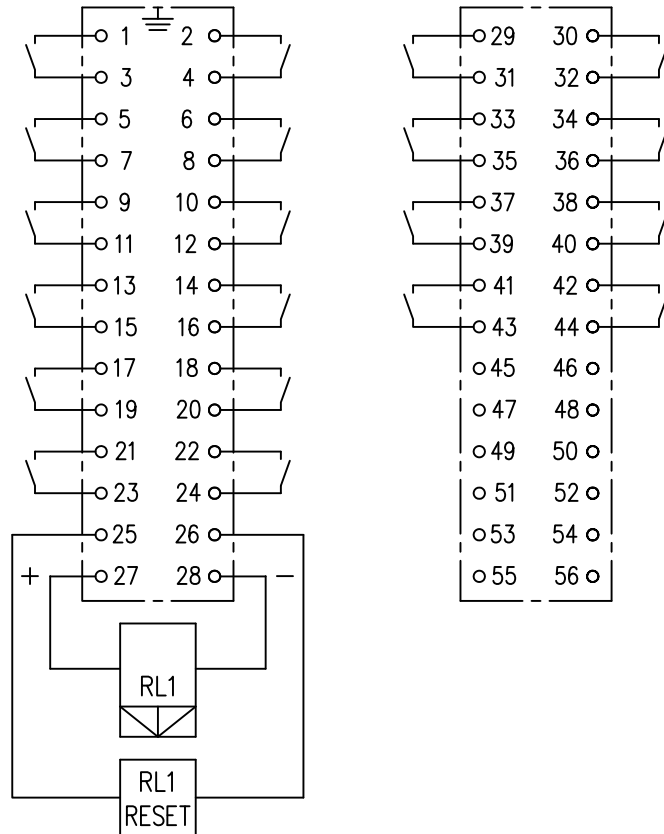


LOOKING ON REAR OF RELAY

2112W50187



- KEY**
- make contact
 - break contact
 - c/o contact
 - ext. conn plug bridge - shorting
 - metering point
 - 5kV barrier
 - test socket - shorting
 - plug & socket

NOT SUBJECT TO UPDATE
ONCE COPIED / PRINTED
OR DOWNLOADED

FRAME TERMINAL BLOCK ASSY:-

ASSEMBLY INSTRUCTIONS:-
TYPICAL ASSEMBLY DRAWING 2995G10032.
AT INDICATED POSITIONS FIT AS FOLLOWS:
T - FIT TRIP ISOLATION CONTACT 2995B10053
S - FIT STANDARD CONTACT 2995B10054
SECURE CONTACTS USING FIXING SCREW 2109F99009.
POSITIONS SHOWN BLANK ARE UNUSED

30	T	T	29	2	T	T	1
32	T	T	31	4	T	T	3
34	T	T	33	6	T	T	5
36	T	T	35	8	T	T	7
38	T	T	37	10	T	T	9
40	T	T	39	12	T	T	11
42	T	T	41	14	T	T	13
44	T	T	43	16	T	T	15
46			45	18	T	T	17
48			47	20	T	T	19
50			49	22	T	T	21
52			51	24	T	T	23
54			53	26	S	S	25
56			55	28	S	S	27

VIEW FROM NUMBERED SIDE OF BLOCK

OUTER TERMINAL BLOCK ASSY:-

ASSEMBLY INSTRUCTIONS:-
TYPICAL ASSEMBLY DRAWING 2995G10029.
AT INDICATED POSITIONS FIT AS FOLLOWS:
S - FIT STANDARD CONTACT 2995B10051
HC - FIT 'HEAVY CURRENT' KIT 2995G10030
WHERE IS SHOWN FIT CT SHORTING KIT 2995G10031
POSITIONS SHOWN BLANK ARE UNUSED.
ALL POSITIONS FIT SCREW 2106F12506.

30	S	S	29	2	S	S	1
32	S	S	31	4	S	S	3
34	S	S	33	6	S	S	5
36	S	S	35	8	S	S	7
38	S	S	37	10	S	S	9
40	S	S	39	12	S	S	11
42	S	S	41	14	S	S	13
44	S	S	43	16	S	S	15
46			45	18	S	S	17
48			47	20	S	S	19
50			49	22	S	S	21
52			51	24	S	S	23
54			53	26	S	S	25
56			55	28	S	S	27

VIEW FROM INSIDE FACE

2 RDW	28/10/09	MNI12/3200 DRAWING NUMBER ONLY CORRECTED.	Title.		First used on:	
			TERM BLOCK & WIRING DIAG FOR 20MOB EL/HAND RESET TRIP RELAY IN E4 CASE		Similar Articles:	
1	06/11/08		SIEMENS PROTECTION DEVICES LTD.		Supersedes:	
ISSUE	DATE	MOD.No.	Original Scale.		Drg.No.	
					2112W50187	
DRAWN: A.LAW	CHECKED: RDW	APPROVED: RD.WATSON	DATE: 10/11/08	IE:	OPS:	