

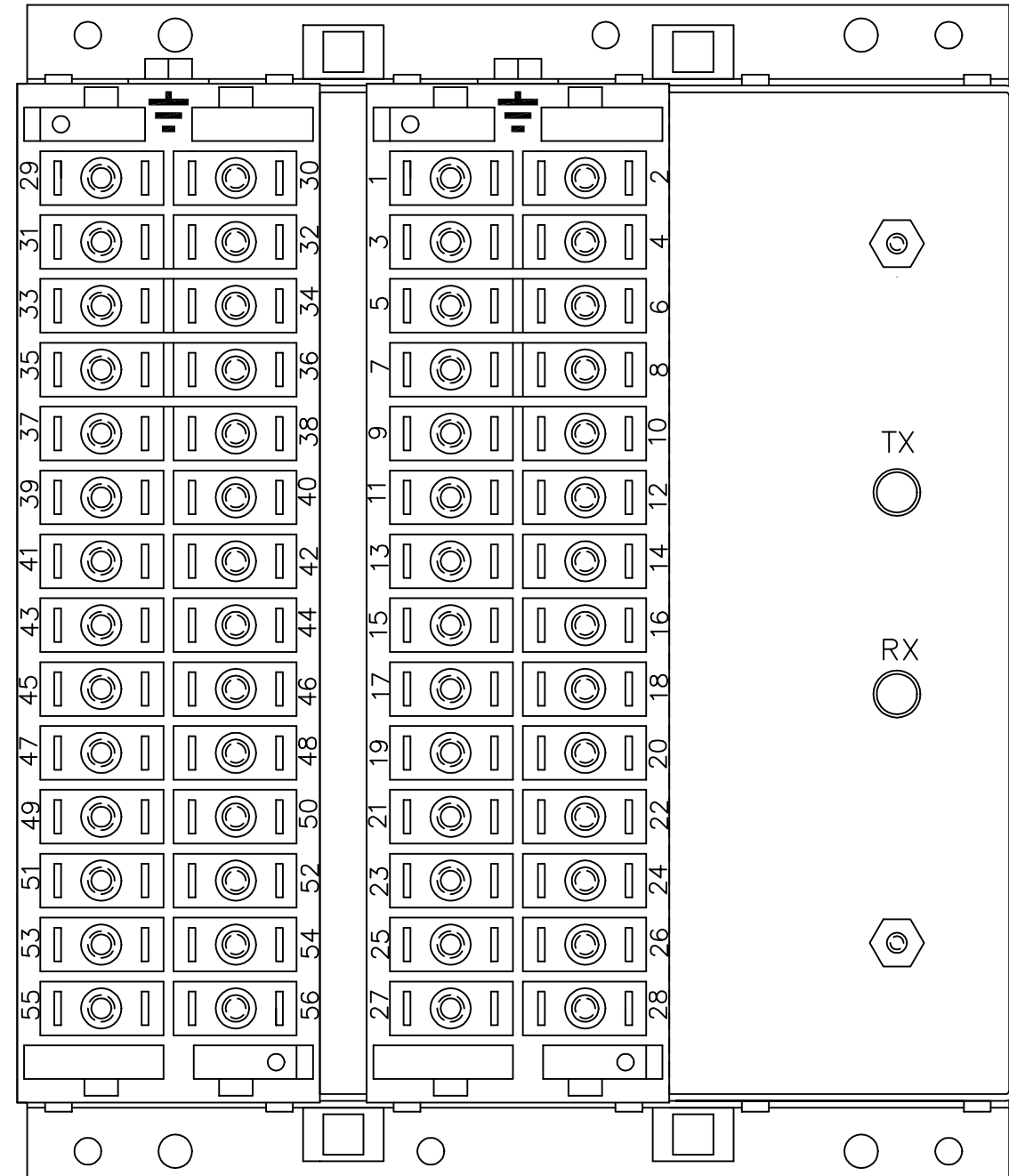
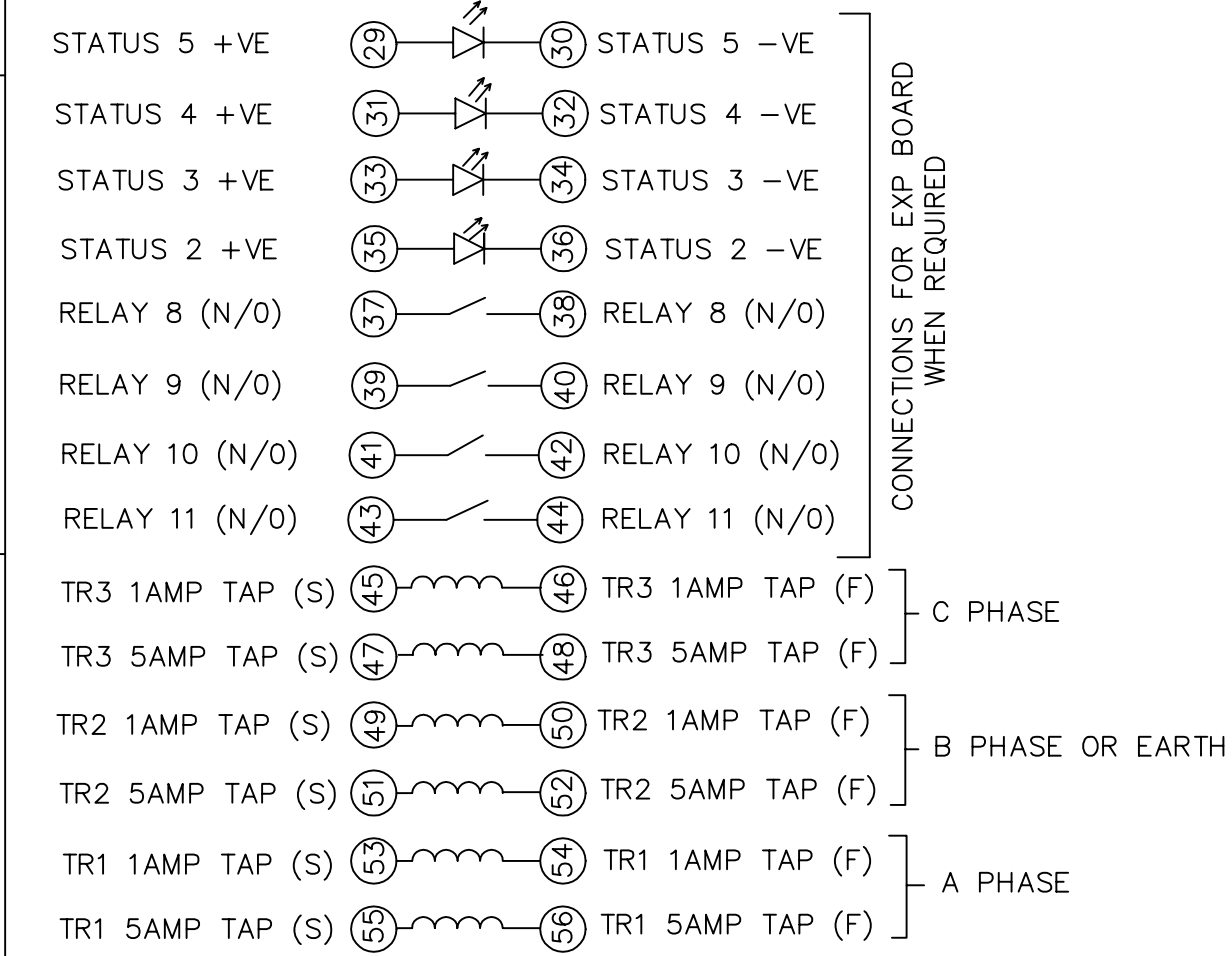
IF IN DOUBT ASK
DO NOT SCALE

NOTES
 1 FOR R6 BOX ASSY SEE 2434H10002 (A1)
 2 TERMINALS RECOMMENDED ARE PRE INSULATED & MUST BE CRIMPED USING APPROVED TOOLING. AMP PIDG OR PLASTI GRIP FUNNEL ENTRY (RING TONGUE) FOR M4 FIXING STUD.

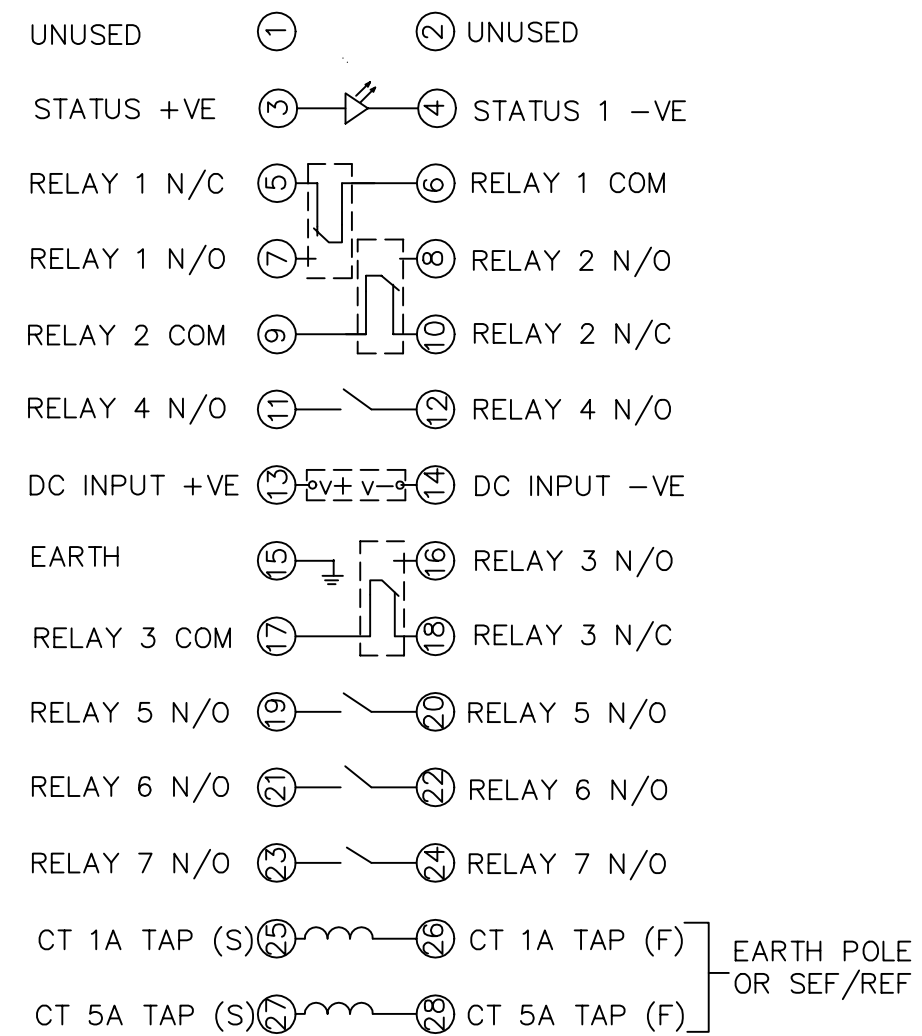
SUPPLIER	AMP	CABLE SIZE
AMP	342103	0.25-1.6 SQ MM
AMP	342143	1.0-2.6 SQ MM.

OR ANY OTHER MANUFACTURERS EQUIVALENT TERMINAL.

3 FOR OUTLINE & DRILLING DRG SEE 2434X10001 (A4).
 4 PROTECTIVE CAPS TAKEN FROM FIBRE OPTIC CONNECTORS MAY BE RETAINED ON COMMS INTERFACE FIXING NUTS.



BOX VIEWED FROM REAR



**NOT SUBJECT TO UPDATE
 ONCE COPIED / PRINTED
 OR DOWNLOADED**

MATERIAL:		Copyright ©		Reyrolle Ltd.		2		3/5/96		CHANGE NOTED	
Dimensions in millimetres ; Surface texture in micrometres. Machine where marked ✓ For explanation of dimensions, tolerances, notes etc. see B.S.308. Limit on untoleranced unmachined dimensions ± Limits on untoleranced machined dimensions to B.S.4500; i.e. up to 6±0.1; over 30 to 120±0.3; over 315±0.8; over 6 to 30±0.2; over 120 to 315±0.5; General unmachined angular tolerance ±		Finish:		Title:		First used on:		ISSUE		DATE	
DRAWN M LEASK		CHECKED		APPROVED R.D.WATSON		DATE 23/07/02		IE		OPS	
Treatment:		Reyrolle Protection Hebburn.		Original Scale.		1:1		Drg. No.		2434W10001	
DATE 23/07/02		IE		OPS		PCP		Purch.Spec.		TQ	
EAC		CE		STD		A2					