

IF IN DOUBT ASK
DO NOT SCALE

A

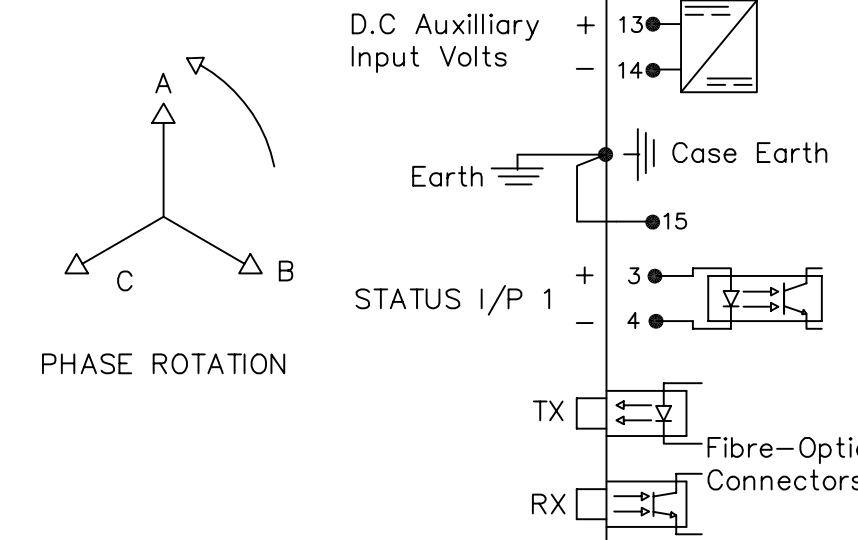
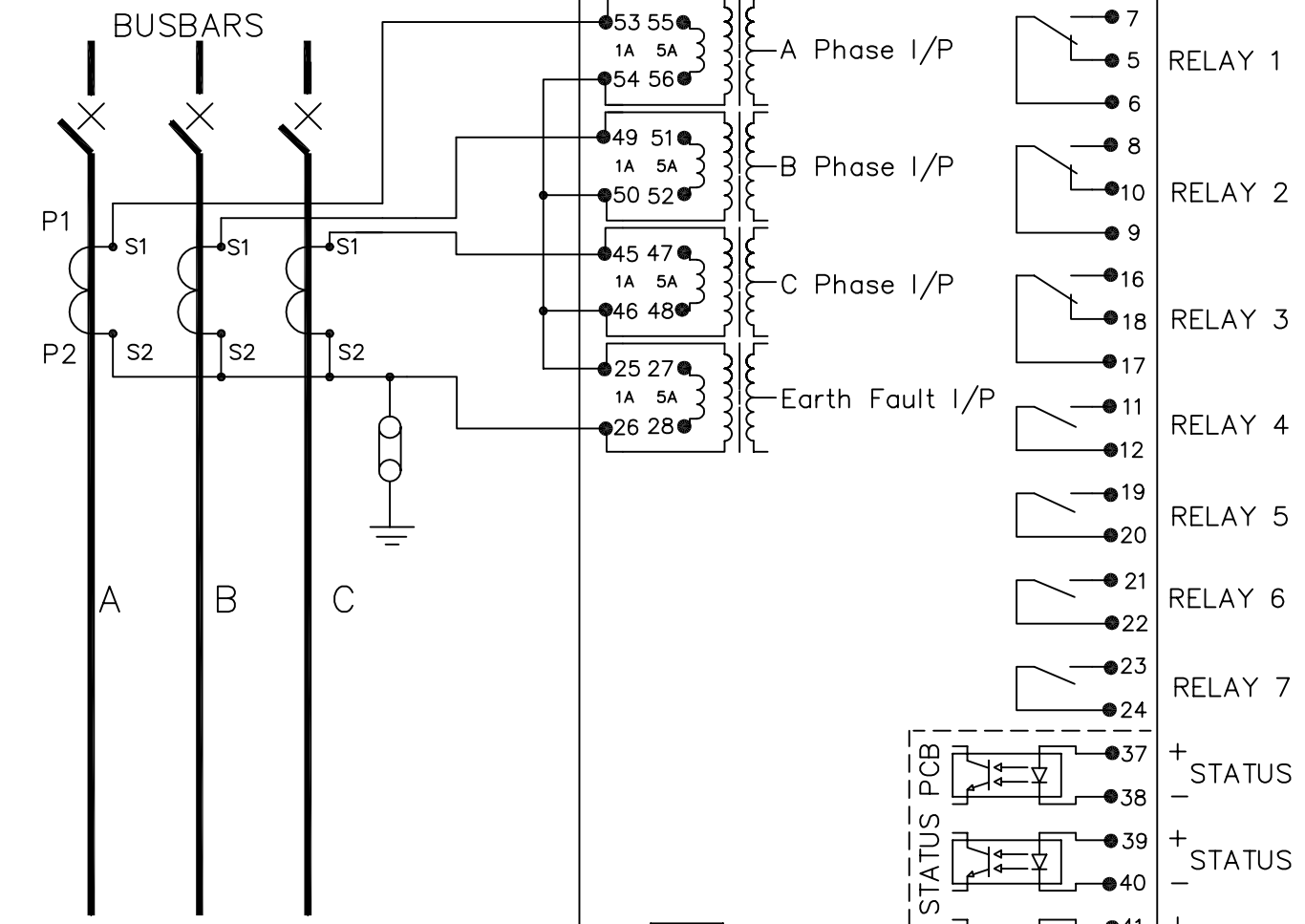
B

C

D

E

F



MATERIAL:

Dimensions in millimetres : Surface texture in micrometres.
Machine where marked ✓
For explanation of dimensions, tolerances, notes etc. see B.S.308.
Limit on untoleranced unmachined dimensions ± _____
Limits on untoleranced machined dimensions to B.S.4500;
i.e. up to 6±0.1; over 30 to 120±0.3; over 315±0.8;
over 6 to 30±0.2; over 120 to 315±0.5;
General unmachined angular tolerance ± _____

Finish: _____
Treatment: _____

Title:
TYPICAL SCHEMATIC DIAGRAM FOR 3 PHASE & E/F
NUMERIC OVERCURRENT PROTECTION (ARGUS 3&4) EPSILON

**Reyrolle Protection
Hebburn.**

First used on:
Similar Articles: 2716W10001
Supersedes:

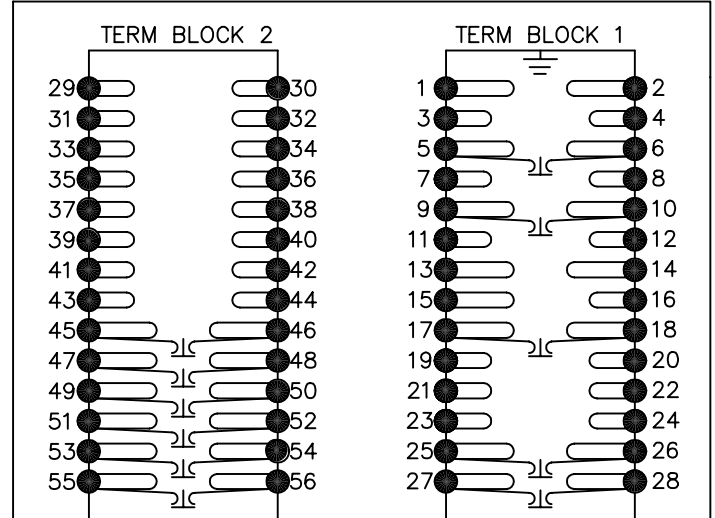
Original Scale: NTS
Drg. No. 2716W10007

DRAWN M LEASK	CHECKED	APPROVED R.D.WATSON	DATE 24/07/02	IE	OPS	PCP	Purch.Spec. TQ	EAC	CE	STD	A3
---------------	---------	---------------------	---------------	----	-----	-----	----------------	-----	----	-----	----

NOTES

- 1 CT CIRCUITS ARE SHOWN CONNECTED TO RELAY 1 AMP TAP. USE ALTERNATIVE TAP FOR 5AMP RATED CTs.
- 2 CT & EARTH CONNECTIONS ARE TYPICAL ONLY.
- 3 FOR TERMINAL DIAGRAM SEE 2716W50001 (A2)
- 4 THIS DIAGRAM IS USED FOR BOTH ARGUS 3 & ARGUS 4.

TERMINAL BLOCKS VIEWED FROM REAR



**NOT SUBJECT TO UPDATE
ONCE COPIED / PRINTED
OR DOWNLOADED**

Copyright © 1999 Reyrolle Ltd.

2	19/4/02	MN434/2292
1	22/11/99	CHANGE NOTED
ISSUE	DATE	NOTED