

IF IN DOUBT ASK
DO NOT SCALE

A

B

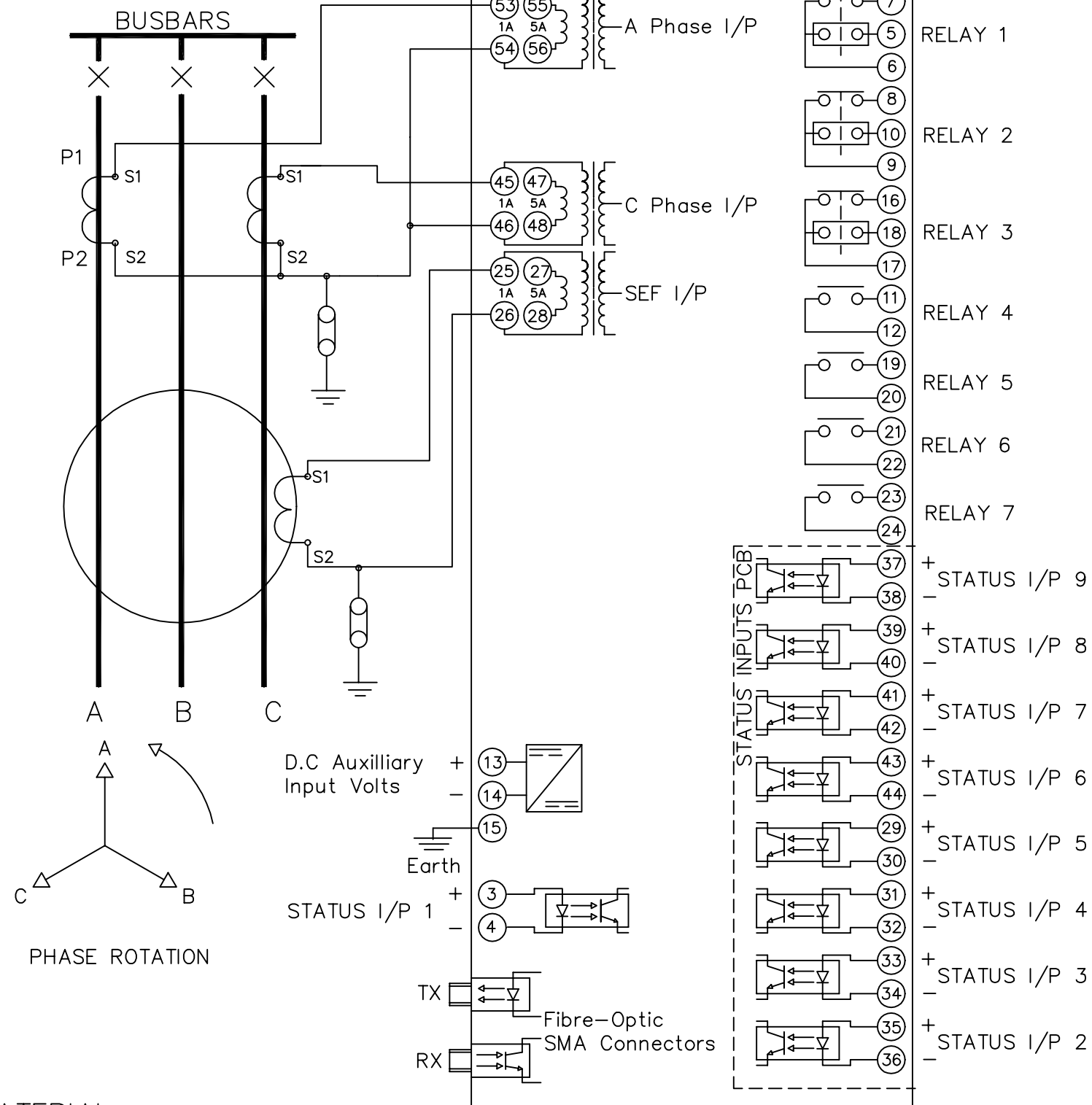
C

D

E

F

DCD32x C R6 Case Size

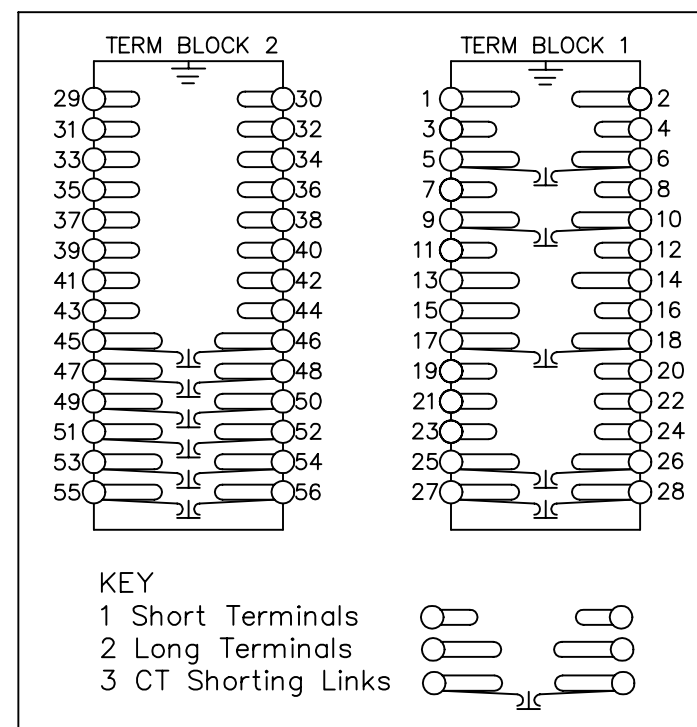


NOTES

- 1 CT CIRCUITS ARE SHOWN CONNECTED TO RELAY 1 AMP TAP. USE ALTERNATIVE TAP FOR 5AMP RATED CTs.
- 2 CT & EARTH CONNECTIONS ARE TYPICAL ONLY.
- 3 METROSIL & SETTING RESISTORS ARE REQUIRED FOR HIGH IMPEDANCE & RESTRICTED E/F APPLICATIONS.
- 4 FOR TERMINAL DIAGRAM SEE 2434W20001 (A2)
- 5 DRG SHOWS OPTION C (7 O/P. 9 I/P).

**NOT SUBJECT TO UPDATE
ONCE COPIED / PRINTED
OR DOWNLOADED**

TERMINAL BLOCKS VIEWED FROM REAR



MATERIAL:

Dimensions in millimetres : Surface texture in micrometres.
Machine where marked ✓
For explanation of dimensions, tolerances, notes etc. see B.S.308.
Limit on untoleranced unmachined dimensions ± _____
Limits on untoleranced machined dimensions to B.S.4500;
i.e. up to 6±0.1; over 30 to 120±0.3; over 315±0.8;
over 6 to 30±0.2; over 120 to 315±0.5;
General unmachined angular tolerance ± _____

Finish:

Treatment:

Title:

TYPICAL SCHEMATIC DIAGRAM FOR 2 PHASE + SEF
DCD OVERCURRENT RELAY

**Reyrolle Protection
Hebburn.**

Original Scale.
NTS

First used on:

Similar Articles: 2434W10018

Supersedes:

Dr. No.

2434W10032

Copyright © Reyrolle Ltd.

1	16/10/97	CHANGE NOTED
ISSUE	DATE	