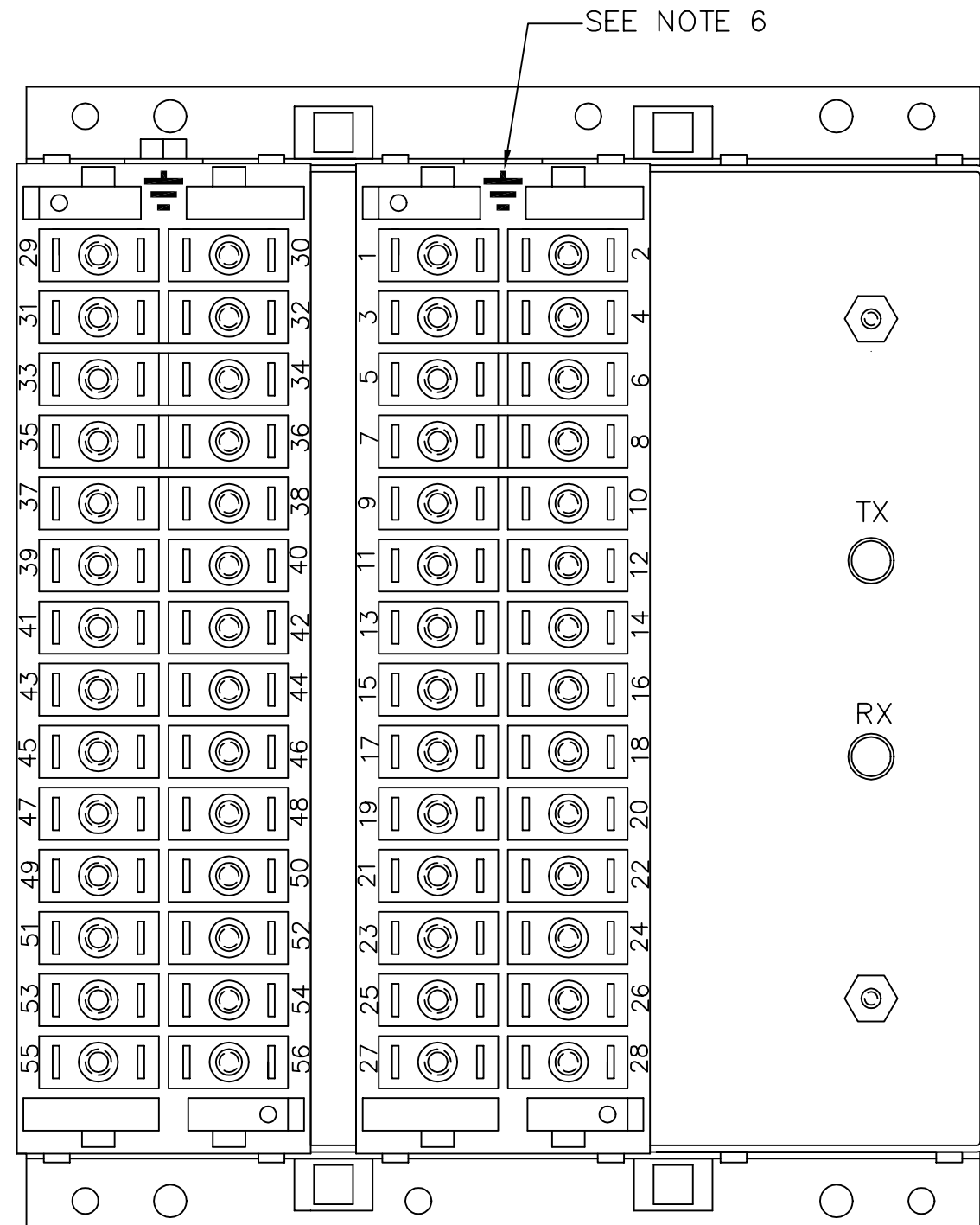
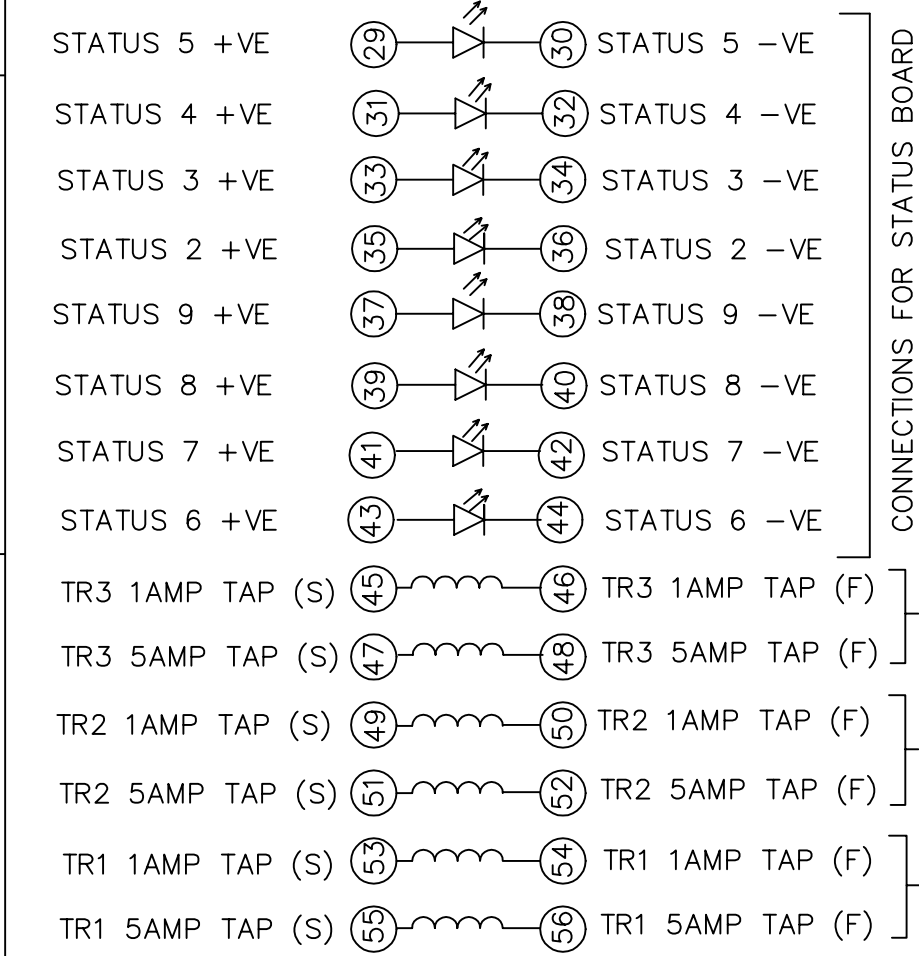


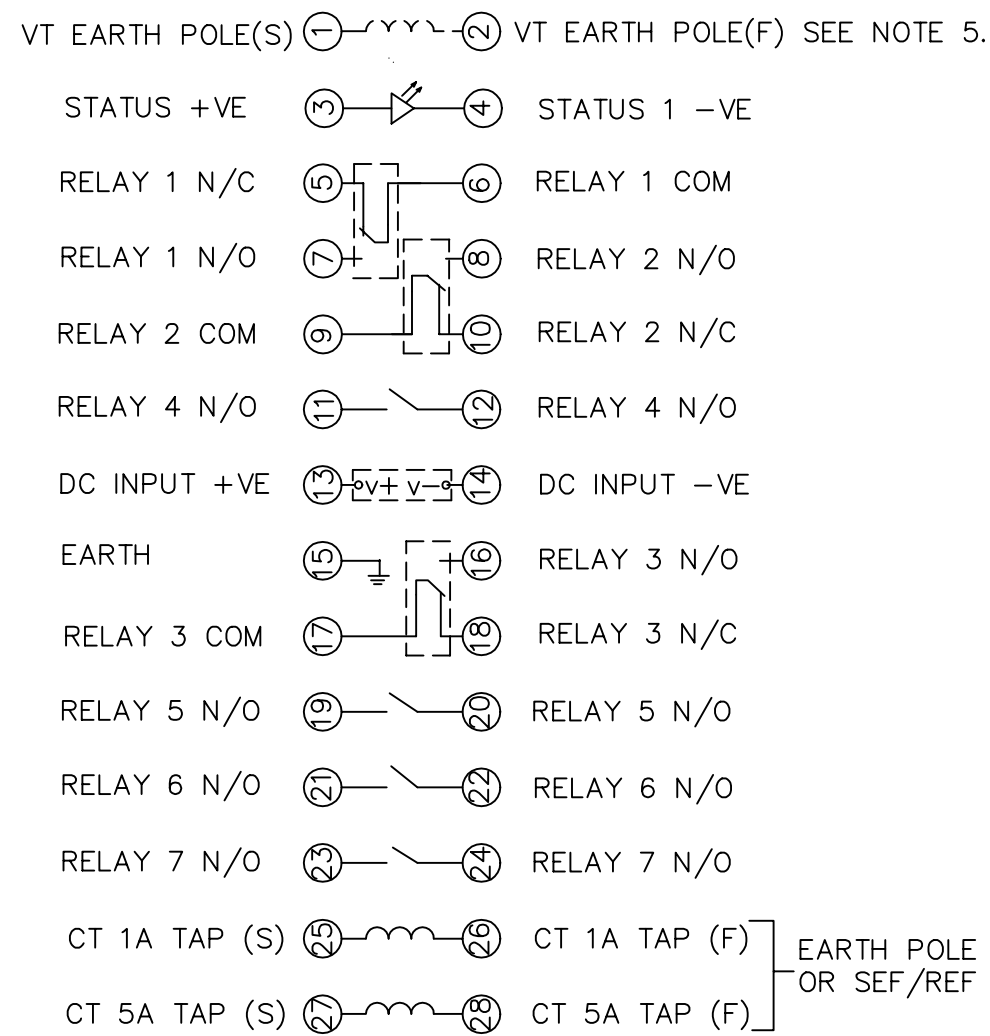
IF IN DOUBT ASK
DO NOT SCALE

NOTES
 1 FOR R6 BOX ASSY SEE 2434H10002 (A1)
 2 TERMINALS RECOMMENDED ARE PRE INSULATED & MUST BE CRIMPED USING APPROVED TOOLING. AMP PIDG OR PLASTI GRIP FUNNEL ENTRY (RING TONGUE) FOR M4 FIXING STUD.
 SUPPLIER AMP CABLE SIZE
 AMP 342103 0.25-1.6 SQ MM
 AMP 342143 1.0-2.6 SQ MM
 OR ANY OTHER MANUFACTURERS EQUIVALENT TERMINAL.
 3 FOR OUTLINE & DRILLING DRG SEE 2434X10001 (A4).
 4 PROTECTIVE CAPS TAKEN FROM FIBRE OPTIC CONNECTORS MAY BE RETAINED ON COMMS INTERFACE FIXING NUTS.
 5 RELAYS WITH DIRECTIONAL E/F POLE, BUT NON DIRECTIONAL P/F ARE HOUSED IN R6 CASES, (SEE TERMINALS 1&2).
 6 EARTH SYMBOL TO BE BLANKED OUT ON CONNECTOR THAT DOES NOT HAVE EARTH SCREW FITTED.

PROTECTION TYPE	SCHEMATIC DIAGRAM
3 PHASE+EARTH	2716W10001 (A3)
3 PHASE+SEF	2716W10002 (A3)
2 PHASE+EARTH+SEF	
PROTECTION TYPE	SCHEMATIC DIAGRAM
3 PHASE+(DIR) EARTH	2716W10006 (A3)



BOX VIEWED FROM REAR



**NOT SUBJECT TO UPDATE
ONCE COPIED / PRINTED
OR DOWNLOADED**

MATERIAL: Dimensions in millimetres ; Surface texture in micrometres. Machine where marked ✓ For explanation of dimensions, tolerances, notes etc. see B.S.308. Limit on untoleranced unmachined dimensions ± _____ Limits on untoleranced machined dimensions to B.S.4500; i.e. up to 6±0.1; over 30 to 120±0.3; over 315±0.8; over 6 to 30±0.2; over 120 to 315±0.5; General unmachined angular tolerance ± _____		Finish: Treatment:	Title: TERMINAL IDENTIFICATION & RELAY WIRING DIAGRAM 4 POLE ARGUS 3 & 4 PROTECTION Reyrolle Protection Hebburn.	Original Scale: 1:1	Copyright © Reyrolle Ltd.	1 ISSUE	1/4/98 DATE	CHANGE NOTED	△		
DRAWN M LEASK	CHECKED	APPROVED R.D.WATSON	DATE 24/07/02	IE	OPS	PCP	Purch.Spec. TQ	EAC	CE	STD	A2

2716W20001