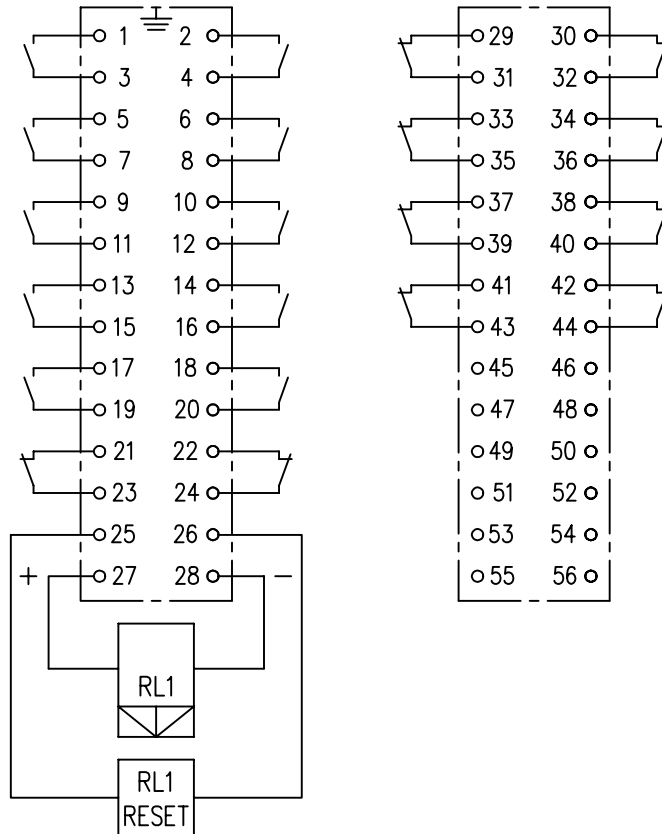


LOOKING ON REAR OF RELAY

2112W50138



- KEY**
- make contact
 - break contact
 - c/o contact
 - ext. conn
 - plug bridge - shorting
 - metering point
 - 5Kv barrier
 - test socket - shorting
 - plug & socket

NOT SUBJECT TO UPDATE
ONCE COPIED / PRINTED
OR DOWNLOADED

FRAME TERMINAL BLOCK ASSY:-

ASSEMBLY INSTRUCTIONS:-
TYPICAL ASSEMBLY DRAWING 2995G10032.
AT INDICATED POSITIONS FIT AS FOLLOWS:
T - FIT TRIP ISOLATION CONTACT 2995B10053
S - FIT STANDARD CONTACT 2995B10054
SECURE CONTACTS USING FIXING SCREW 2109F99009.
POSITIONS SHOWN BLANK ARE UNUSED

30	T	T	29
32	T	T	31
34	T	T	33
36	T	T	35
38	T	T	37
40	T	T	39
42	T	T	41
44	T	T	43
46			45
48			47
50			49
52			51
54			53
56			55

2	T	T	1
4	T	T	3
6	T	T	5
8	T	T	7
10	T	T	9
12	T	T	11
14	T	T	13
16	T	T	15
18	T	T	17
20	T	T	19
22	T	T	21
24	T	T	23
26	S	S	25
28	S	S	27

VIEW FROM NUMBERED
SIDE OF BLOCK

OUTER TERMINAL BLOCK ASSY:-

ASSEMBLY INSTRUCTIONS:-
TYPICAL ASSEMBLY DRAWING 2995G10029.
AT INDICATED POSITIONS FIT AS FOLLOWS:
S - FIT STANDARD CONTACT 2995B10051
HC - FIT 'HEAVY CURRENT' KIT 2995G10030
WHERE IS SHOWN FIT CT SHORTING KIT 2995G10031
POSITIONS SHOWN BLANK ARE UNUSED.
ALL POSITIONS FIT SCREW 2106F12506.

30	S	S	29
32	S	S	31
34	S	S	33
36	S	S	35
38	S	S	37
40	S	S	39
42	S	S	41
44	S	S	43
46			45
48			47
50			49
52			51
54			53
56			55

2	S	S	1
4	S	S	3
6	S	S	5
8	S	S	7
10	S	S	9
12	S	S	11
14	S	S	13
16	S	S	15
18	S	S	17
20	S	S	19
22	S	S	21
24	S	S	23
26	S	S	25
28	S	S	27

VIEW FROM INSIDE
FACE

Copyright © 2002 VATECH REYROLLE ACP Ltd. Hebburn

2 RDW	04/09/02	MN112/2377	Title: TERM. BLOCK & WIRING DIAG. FOR 10M10B E/RESET TRIP RELAY IN E4 CASE		First used on:	
					Similar Articles:	
1	13/06/02		<div style="border: 1px solid black; padding: 5px; display: inline-block;"> VATECH REYROLLE AUTOMATION, CONTROL & PROTECTION </div>		Supersedes:	
ISSUE	DATE	MOD.No.			Drg.No. 2112W50138	
DRAWN: A.LAW.		CHECKED:	APPROVED: RD.WATSON	DATE: 17/7/02	IE:	OPS: