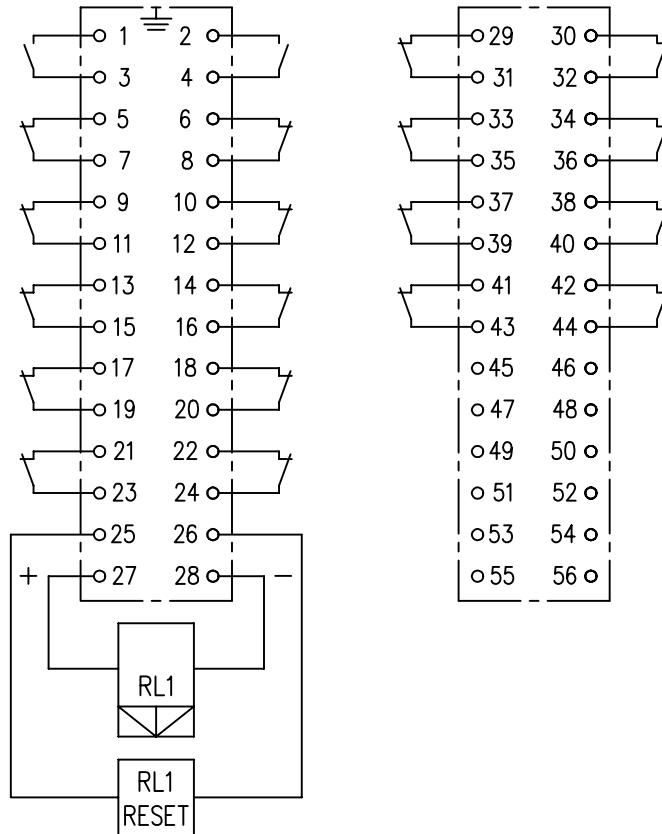


LOOKING ON REAR OF RELAY

2112W50139



- KEY**
- make contact
  - break contact
  - c/o contact
  - ext. conn
  - plug bridge - shorting
  - metering point
  - 5Kv barrier
  - test socket - shorting
  - plug & socket

NOT SUBJECT TO UPDATE  
ONCE COPIED / PRINTED  
OR DOWNLOADED

**FRAME TERMINAL BLOCK ASSY:-**

ASSEMBLY INSTRUCTIONS:-  
TYPICAL ASSEMBLY DRAWING 2995G10032.  
AT INDICATED POSITIONS FIT AS FOLLOWS:  
T - FIT TRIP ISOLATION CONTACT 2995B10053  
S - FIT STANDARD CONTACT 2995B10054  
SECURE CONTACTS USING FIXING SCREW 2109F99009.  
POSITIONS SHOWN BLANK ARE UNUSED

30	T	T	29
32	T	T	31
34	T	T	33
36	T	T	35
38	T	T	37
40	T	T	39
42	T	T	41
44	T	T	43
46			45
48			47
50			49
52			51
54			53
56			55

2	T	T	1
4	T	T	3
6	T	T	5
8	T	T	7
10	T	T	9
12	T	T	11
14	T	T	13
16	T	T	15
18	T	T	17
20	T	T	19
22	T	T	21
24	T	T	23
26	S	S	25
28	S	S	27

VIEW FROM NUMBERED  
SIDE OF BLOCK

**OUTER TERMINAL BLOCK ASSY:-**

ASSEMBLY INSTRUCTIONS:-  
TYPICAL ASSEMBLY DRAWING 2995G10029.  
AT INDICATED POSITIONS FIT AS FOLLOWS:  
S - FIT STANDARD CONTACT 2995B10051  
HC - FIT 'HEAVY CURRENT' KIT 2995G10030  
WHERE IS SHOWN FIT CT SHORTING KIT 2995G10031  
POSITIONS SHOWN BLANK ARE UNUSED.  
ALL POSITIONS FIT SCREW 2106F12506.

30	S	S	29
32	S	S	31
34	S	S	33
36	S	S	35
38	S	S	37
40	S	S	39
42	S	S	41
44	S	S	43
46			45
48			47
50			49
52			51
54			53
56			55

2	S	S	1
4	S	S	3
6	S	S	5
8	S	S	7
10	S	S	9
12	S	S	11
14	S	S	13
16	S	S	15
18	S	S	17
20	S	S	19
22	S	S	21
24	S	S	23
26	S	S	25
28	S	S	27

VIEW FROM INSIDE  
FACE

Copyright © 2002 VATECH REYROLLE ACP Ltd. Hebburn

2 RDW	04/09/02	MN112/2377	Title: TERM. BLOCK & WIRING DIAG. FOR 2M18B E/RESET TRIP RELAY IN E4 CASE			First used on:		
			<b>VATECH REYROLLE</b> <b>AUTOMATION, CONTROL &amp; PROTECTION</b>			Similar Articles:		
Original Scale:						Supersedes:		
			Drg.No. <span style="font-size: 2em;">2112W50139</span>			ISSUE		
DATE 13/06/02						MOD.No.		
			DATE: 17/7/02			DRAWN: A.LAW.		
DATE: 17/7/02						CHECKED:		
			DATE: 17/7/02			APPROVED: RD.WATSON		
DATE: 17/7/02						IE:		
			DATE: 17/7/02			OPS:		