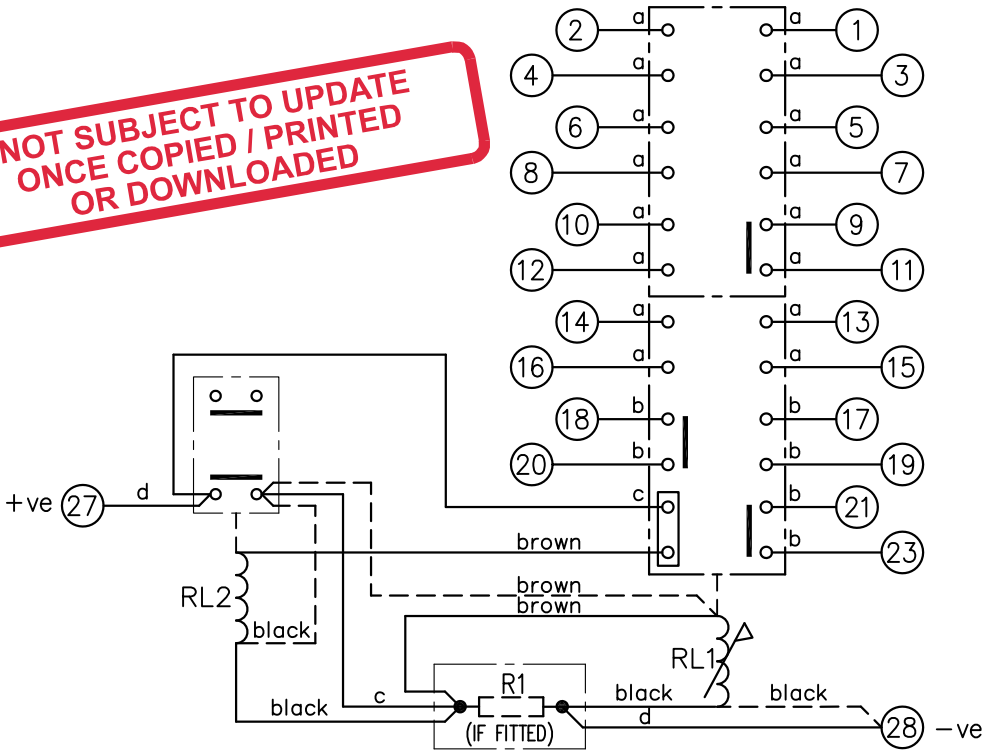


LOOKING ON FRONT OF RELAY

2112W50040

**NOT SUBJECT TO UPDATE  
ONCE COPIED / PRINTED  
OR DOWNLOADED**



ASSEMBLY WIRES USED	
a	2107B10001 16 OFF
b	2107B10002 6 OFF
c	2107D10169 2 OFF
d	2107D10165 2 OFF

RL2 COIL	2112G20031	2112G20031	2112G20031			
RL1 COIL	2112G20014	2112G20016	2112G20020			
R1	390R 2102C35391		2X100R IN SERIES 2102C41101			
Vdc	24	30	48	60	125	240

- KEY**
- ○ make contact
  - ⊠ break contact
  - ○ c/o contact
  - ⊖ ext. conn
  - ⌋ plug bridge - shorting
  - ⊙ metering point
  - ⎓ 5Kv barrier
  - ⊠ test socket - shorting
  - ⊖ plug & socket

CONTACT CONFIG.	OUTPUT CONTACT PAIR / TERMINAL No.											
	1-3	2-4	5-7	6-8	9-11	10-12	13-15	14-16	17-19	18-20	21-23	
11M	M	M	M	M	M	M	M	M	M	M	M	
10M 1B	M	B	M	M	M	M	M	M	M	M	M	
9M 2B	B	B	M	M	M	M	M	M	M	M	M	
8M 3B	B	B	M	B	M	M	M	M	M	M	M	
7M 4B	B	B	B	B	M	M	M	M	M	M	M	
6M 5B	B	B	B	B	M	B	M	M	M	M	M	
5M 6B	B	B	M	B	M	M	B	B	B	M	M	
4M 7B	B	B	B	B	M	M	B	B	B	M	M	
3M 8B	B	B	B	B	M	B	B	B	B	M	M	

**NOTE:**

- CONTACT CONFIGURATION ABOVE IS REQUIRED FOR RELAY OPERATION. FOR DETAILS OF VARIABLE CONTACT OPTIONS SEE TABLE OPPOSITE.
- RESISTOR R1 IS FITTED ONLY WHEN REQUIRED. SEE TABLE ABOVE.
- DASHED LINE --- SHOWS CONNECTIONS WHEN RESISTORS ARE NOT FITTED.

FRAME REFERENCE: E4FS05.  
FRAME TERMINAL BLOCK ASSY: -

ASSEMBLY INSTRUCTIONS: -  
TYPICAL ASSEMBLY DRAWING 2995G10032.  
AT INDICATED POSITIONS FIT AS FOLLOWS:  
T - FIT TRIP ISOLATION CONTACT 2995B10053  
S - FIT STANDARD CONTACT 2995B10054  
SECURE CONTACTS USING FIXING SCREW 2109F99009.  
POSITIONS SHOWN BLANK ARE UNUSED

2	T	T	1
4	T	T	3
6	T	T	5
8	T	T	7
10	T	T	9
12	T	T	11
14	T	T	13
16	T	T	15
18	T	T	17
20	T	T	19
22	T	T	21
24	T	T	23
26			25
28	S	S	27

VIEW FROM NUMBERED SIDE OF BLOCK

OUTER TERMINAL BLOCK ASSY: -

ASSEMBLY INSTRUCTIONS: -  
TYPICAL ASSEMBLY DRAWING 2995G10029.  
AT INDICATED POSITIONS FIT AS FOLLOWS:  
S - FIT STANDARD CONTACT 2995B10051  
HC - FIT 'HEAVY CURRENT' KIT 2995G10030  
WHERE ○-○ IS SHOWN FIT CT SHORTING KIT 2995G10031  
POSITIONS SHOWN BLANK ARE UNUSED.  
ALL POSITIONS FIT SCREW 2106F12506.

2	S	S	1
4	S	S	3
6	S	S	5
8	S	S	7
10	S	S	9
12	S	S	11
14	S	S	13
16	S	S	15
18	S	S	17
20	S	S	19
22	S	S	21
24	S	S	23
26			25
28	S	S	27

VIEW FROM INSIDE FACE

4 RDW 12/04/12 MN112/3514 JB			Title: T.B. AND WIRING DIAG. FOR 7PG15223 (TR223-11) RELAYS IN E4 CASE.		First used on:	
3 RDW 14/11/05 MN112/2744			Reyrolle Protection Hebburn.		Similar Articles:	
2 27/04/00 MN995/09					Supersedes:	
ISSUE	DATE	MOD.No.	Original Scale.		Drg.No. <b>2112W50040</b>	
DRAWN: A.LAW.		CHECKED:	APPROVED: R.D.WATSON	DATE: 16/07/02	Copyright © 1998 Reyrolle Ltd.	