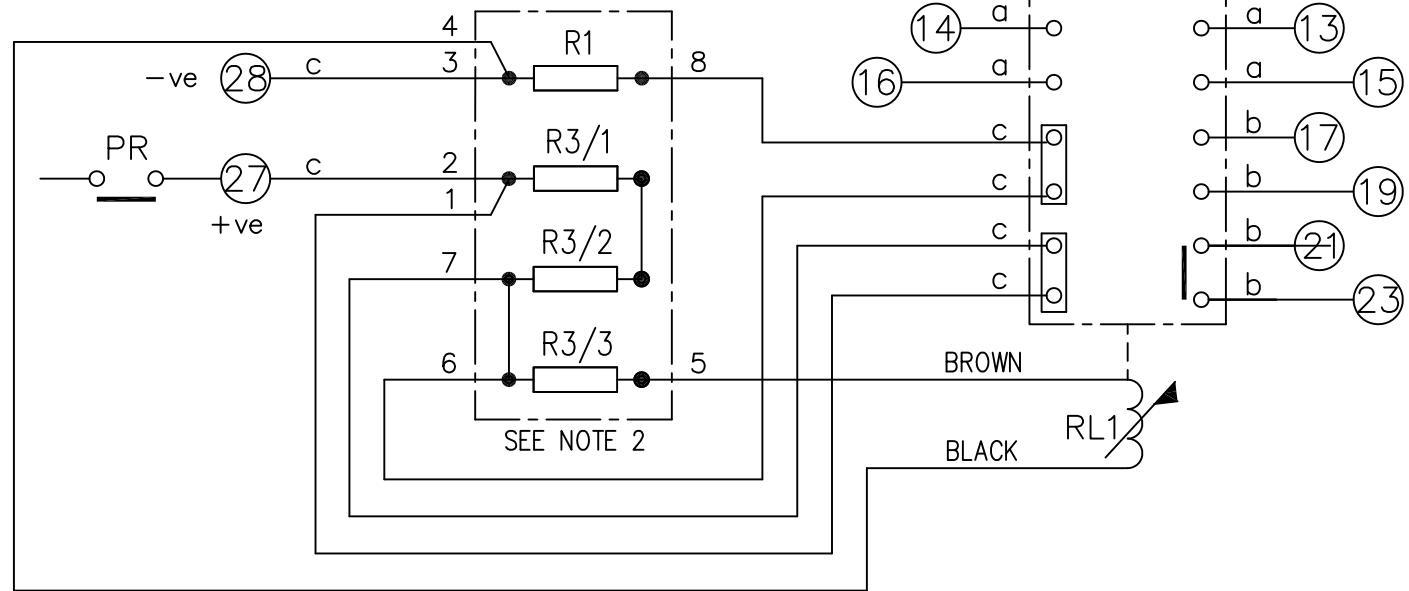
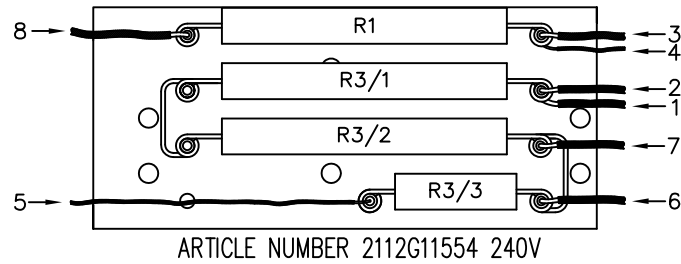


IF IN DOUBT ASK
DO NOT SCALE

NOT SUBJECT TO UPDATE
ONCE COPIED / PRINTED
OR DOWNLOADED

RESISTOR ASSEMBLY AND WIRE INDICATION.



NOTE:
1. CONTACT CONFIGURATION ABOVE IS REQUIRED FOR RELAY OPERATION.
FOR DETAILS OF VARIABLE CONTACT OPTIONS SEE TABLE BELOW
3. WIRE NUMBERS ARE ASSOCIATED WITH RESISTOR ASSEMBLIES OPPOSITE.

ASSEMBLY WIRES USED							
a	2107B10001	16 OFF					
b	2107B10002	4 OFF					
c	2107B10004	4 OFF	220&240	2102C45471 - 470R	2102C45222 - 2K2	2102C45472 - 4K7	2102C25271 - 270R
d	2107D10166	2 OFF	VDC	R1	R3/1	R3/2	R3/3
							2112G20023 COIL - RL1

- KEY**
- make contact
 - break contact
 - c/o contact
 - ext. conn
 - plug bridge - shorting
 - metering point
 - 5Kv barrier
 - test socket - shorting
 - plug & socket

FRAME REFERENCE: E2FAQM.
FRAME TERMINAL BLOCK ASSY:-
ASSEMBLY INSTRUCTIONS:-
TYPICAL ASSEMBLY DRAWING 2995G10032.
AT INDICATED POSITIONS FIT AS FOLLOWS:
T - FIT TRIP ISOLATION CONTACT 2995B10053
S - FIT STANDARD CONTACT 2995B10054
SECURE CONTACTS USING FIXING SCREW 2109F99009.
POSITIONS SHOWN BLANK ARE UNUSED

2	T	T	1
4	T	T	3
6	T	T	5
8	T	T	7
10	T	T	9
12	T	T	11
14	T	T	13
16	T	T	15
18			17
20			19
22			21
24			23
26			25
28	S	S	27

VIEW FROM NUMBERED
SIDE OF BLOCK

OUTER TERMINAL BLOCK ASSY:-
ASSEMBLY INSTRUCTIONS:-
TYPICAL ASSEMBLY DRAWING 2995G10029.
AT INDICATED POSITIONS FIT AS FOLLOWS:
S - FIT STANDARD CONTACT 2995B10051
HC - FIT 'HEAVY CURRENT' KIT 2995G10030
WHERE IS SHOWN FIT CT SHORTING
KIT 2995G10031
POSITIONS SHOWN BLANK ARE UNUSED.
ALL POSITIONS FIT SCREW 2106F12506.

2	S	S	1
4	S	S	3
6	S	S	5
8	S	S	7
10	S	S	9
12	S	S	11
14	S	S	13
16	S	S	15
18			17
20			19
22			21
24			23
26			25
28	S	S	27

VIEW FROM INSIDE
CASE

CONTACT CONFIG.	OUTPUT CONTACT PAIR / TERMINAL No.									
	1-3	2-4	5-7	6-8	9-11	10-12	13-15	14-16	17-19	21-23
10M	M	M	M	M	M	M	M	M	M	M
9M 1B	M	B	M	M	M	M	M	M	M	M
8M 2B	B	B	M	M	M	M	M	M	M	M
7M 3B	B	B	B	M	M	M	M	M	M	M
6M 4B	B	B	B	B	M	M	M	M	M	M
5M 5B	B	B	B	B	M	B	M	M	M	M
4M 6B	B	B	M	B	M	M	B	B	B	M
3M 7B	B	B	B	B	M	M	B	B	B	M
2M 8B	B	B	B	B	M	B	B	B	B	M

MATERIAL:

Dimensions in millimetres ; Surface texture in micrometres.
Machine where marked ✓
For explanation of dimensions, tolerances, notes etc. see B.S.308.
Limit on untoleranced unmachined dimensions ± _____
Limits on untoleranced machined dimensions to B.S.4500;
i.e. up to 6±0.1; over 30 to 120±0.3; over 315±0.8;
over 6 to 30±0.2; over 120 to 315±0.5;
General unmachined angular tolerance ± _____

Finish: _____
Treatment: _____

Title:
T.B. AND WIRING DIAG. FOR TR212-10 CONTACT
220/240V RELAY IN EPSILON E2 CASE

SIEMENS PROTECTION DEVICES LTD.

Original Scale: _____

First used on: _____
Similar Articles: 2112W50215
Supersedes: _____
Drg. No. 2112W50216

1	02/02/12	CHANGE NOTED	△
ISSUE	DATE	NOTED	

Copyright © 2012 Siemens Protection Devices Ltd. Hebburn