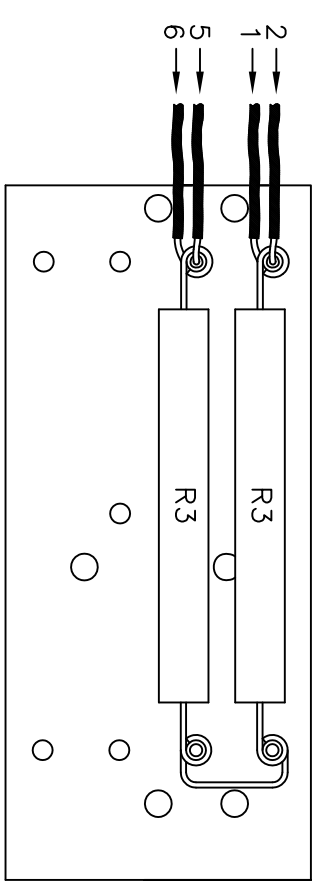
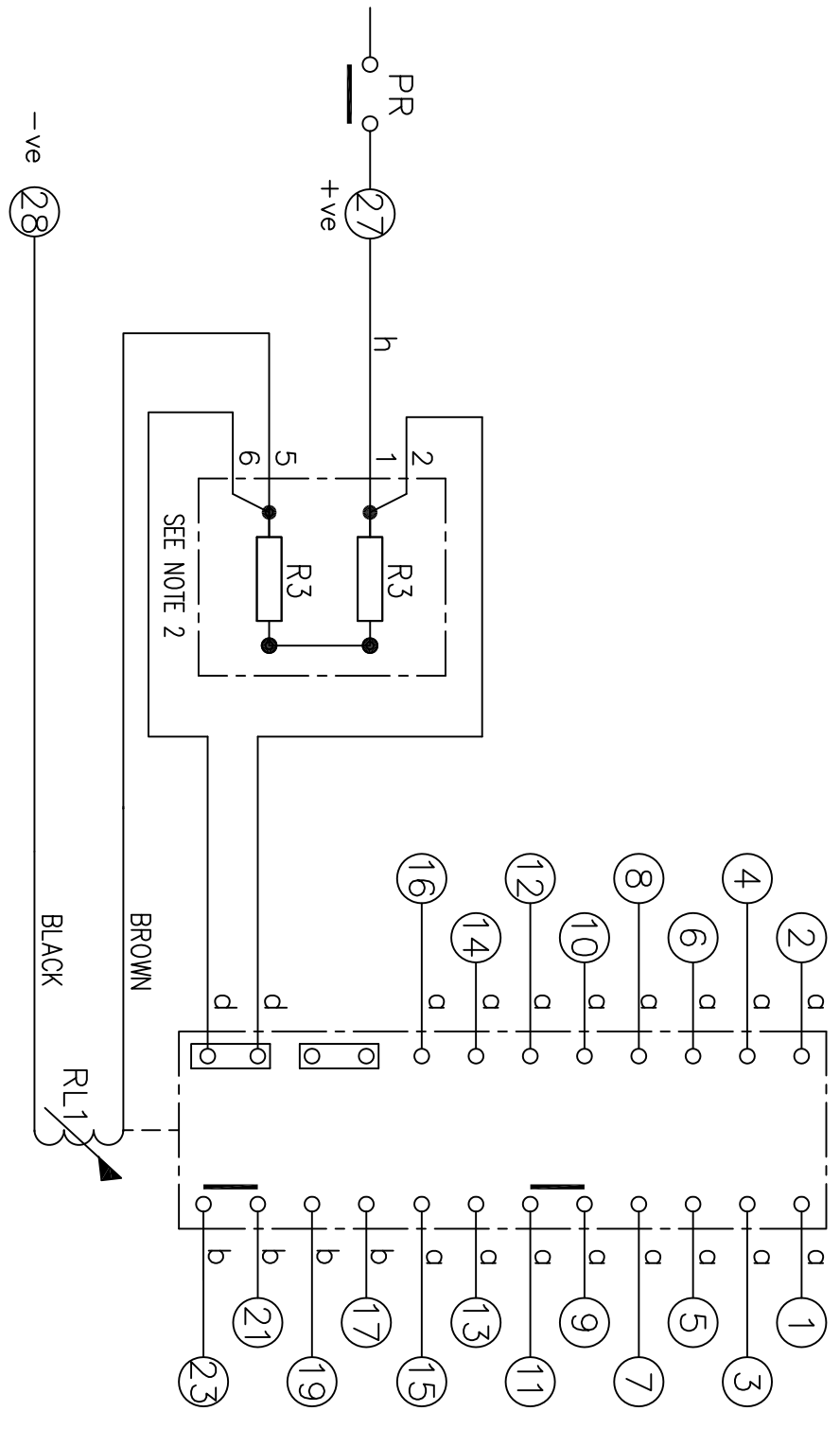


IF IN DOUBT ASK
DO NOT SCALE

RESISTOR ASSEMBLY AND WIRE INDICATION.



ARTICLE NUMBER 2112G11512 30V



**NOT SUBJECT TO UPDATE
ONCE COPIED / PRINTED
OR DOWNLOADED**

NOTE:
1. CONTACT CONFIGURATION ABOVE IS REQUIRED FOR RELAY OPERATION.
FOR DETAILS OF VARIABLE CONTACT OPTIONS SEE TABLE BELOW
2. WIRE NUMBERS ARE ASSOCIATED WITH RESISTOR ASSEMBLIES OPPOSITE.

ASSEMBLY WIRES USED			
a	2107B10001	16 OFF	
b	2107B10002	4 OFF	
d	2107B10004	2 OFF	
h	2107D10166	1 OFF	VDC

FRAME REFERENCE: E2FAQM.

FRAME TERMINAL BLOCK ASSY: -

ASSEMBLY INSTRUCTIONS: -

TYPICAL ASSEMBLY DRAWING 2995G10032.

AT INDICATED POSITIONS FIT AS FOLLOWS:

T - FIT TRIP ISOLATION CONTACT 2995B10053

S - FIT STANDARD CONTACT 2995B10054

SECURE CONTACTS USING FIXING SCREW 2109F99009.

POSITIONS SHOWN BLANK ARE UNUSED

VIEW FROM NUMBERED SIDE OF BLOCK

OUTER TERMINAL BLOCK ASSY: -

ASSEMBLY INSTRUCTIONS: -

TYPICAL ASSEMBLY DRAWING 2995G10029.

AT INDICATED POSITIONS FIT AS FOLLOWS:

S - FIT STANDARD CONTACT 2995B10051

HC - FIT 'HEAVY CURRENT' KIT 2995G10030

WHERE - IS SHOWN FIT CT SHORTING KIT 2995G10031

POSITIONS SHOWN BLANK ARE UNUSED.

ALL POSITIONS FIT SCREW 2106F12506.

VIEW FROM INSIDE CASE

KEY	FRAME REFERENCE: E2FAQM.	FRAME TERMINAL BLOCK ASSY: -	ASSEMBLY INSTRUCTIONS: -	OUTER TERMINAL BLOCK ASSY: -	CONTACT CONFIG.	OUTPUT CONTACT PAIR / TERMINAL No.								
o	make contact	2	T	1	1-3	2-4	5-7	6-8	9-11	10-12	13-15	14-16	17-19	21-23
o	break contact	4	T	3	10M	M	M	M	M	M	M	M	M	M
o	c/o contact	6	T	5	9M	M	M	M	M	M	M	M	M	M
o	ext. conn	8	T	7	8M	B	M	M	M	M	M	M	M	M
o	plug bridge	10	T	9	7M	B	M	M	M	M	M	M	M	M
o	plug - shorting	12	T	11	6M	B	B	M	M	M	M	M	M	M
o	metering point	14	T	13	5M	B	B	B	M	M	M	M	M	M
o	5kV barrier	16	T	15	4M	B	B	B	B	M	M	M	M	M
o	test socket	18	T	17	3M	B	B	B	B	B	M	M	M	M
o	shorting	20	T	19	2M	B	B	B	B	B	B	M	M	M
o	plug & socket	22	T	21										
o	test socket	24	T	23										
o	shorting	26	T	25										
o	plug & socket	28	T	27										

MATERIAL:

Dimensions in millimetres : Surface texture in micrometres.

Machine where marked ✓

For explanation of dimensions, tolerances, notes etc. see B.S.308.

Limit on untoleranced unmachined dimensions ±

Limits on untoleranced machined dimensions to B.S.4500;

i.e. up to 6±0.1; over 30 to 120±0.3; over 315±0.8;

over 6 to 30±0.2; over 120 to 315±0.5;

General unmachined angular tolerance ±

Finish:

Treatment:

Title:

T.B. AND WIRING DIAG. FOR TR212-10 CONTACT
30V RELAY IN EPSILON E2 CASE

SIEMENS PROTECTION DEVICES LTD.

Copyright © 2012 Siemens Protection Devices Ltd. Hebburn

First used on:

Similar Articles: 2112W50210

Supersedes:

Drq. No.

2112W50213

ISSUE	DATE	NOTED
1	02/02/12	CHANGE
2	26/07/13	MNS3658/112 JB