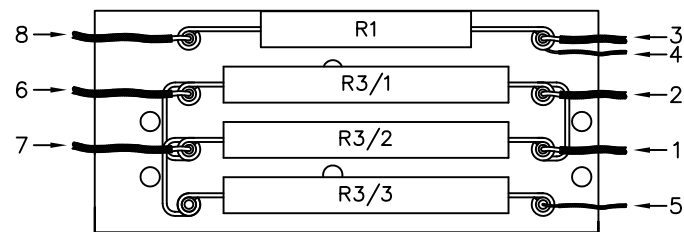
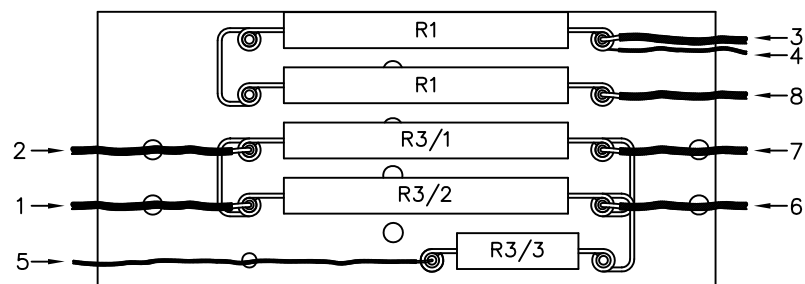


IF IN DOUBT ASK
DO NOT SCALE

RESISTOR ASSEMBLIES AND WIRE INDICATION.

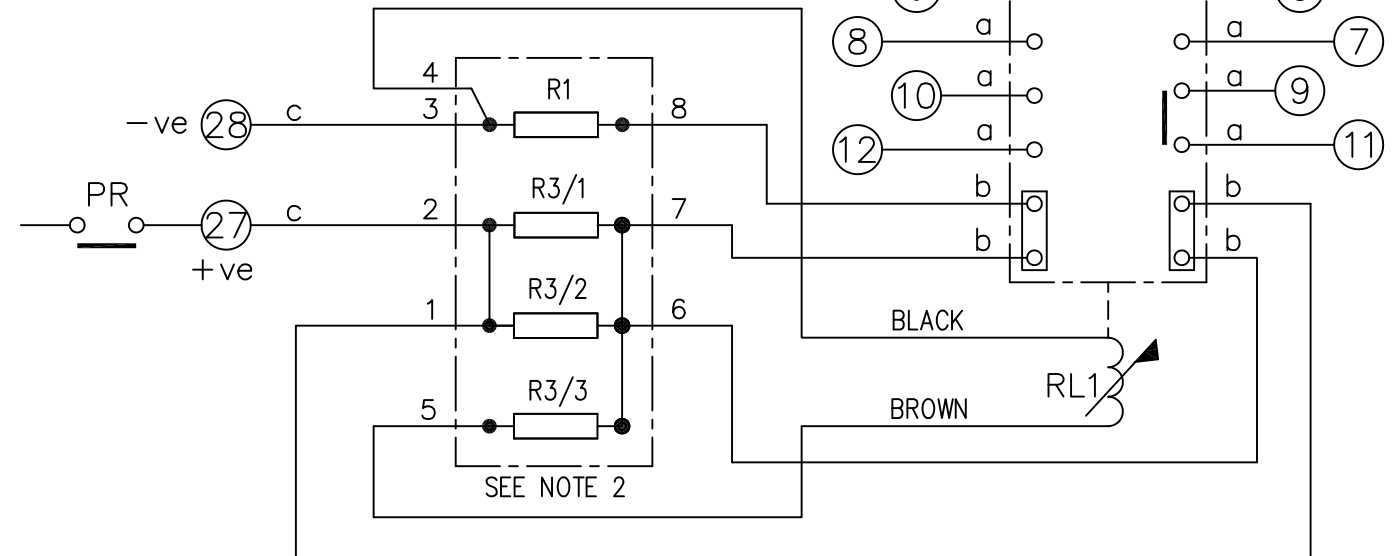


ARTICLE NUMBER 2112G11552 50V



ARTICLE NUMBER 2112G11553 125V

NOT SUBJECT TO UPDATE
ONCE COPIED / PRINTED
OR DOWNLOADED



NOTE:

1. CONTACT CONFIGURATION ABOVE IS REQUIRED FOR RELAY OPERATION. FOR DETAILS OF VARIABLE CONTACT OPTIONS SEE TABLE BELOW
3. WIRE NUMBERS ARE ASSOCIATED WITH RESISTOR ASSEMBLIES OPPOSITE.

ASSEMBLY WIRES USED								
a	2107B10001 12 OFF	125	2 x 2102C41101 - 100R	2102C41392 - 3K9	2102C41392 - 3K9	2102C25271 - 270R	2112G20020	
b	2107B10004 4 OFF	50	2102C35391 - 390R	2102C45821 - 820R	2102C45821 - 820R	2102C41101 - 100R	2112G20016	
c	2107D10166 2 OFF	VDC	R1	R3/1	R3/2	R3/3	COIL - RL1	

- KEY**
- make contact
 - break contact
 - c/o contact
 - ext. conn
 - plug bridge - shorting
 - metering point
 - 5Kv barrier
 - test socket - shorting
 - plug & socket

FRAME REFERENCE: E2FAQM.
FRAME TERMINAL BLOCK ASSY: -
ASSEMBLY INSTRUCTIONS: -
TYPICAL ASSEMBLY DRAWING 2995G10032.
AT INDICATED POSITIONS FIT AS FOLLOWS:
T - FIT TRIP ISOLATION CONTACT 2995B10053
S - FIT STANDARD CONTACT 2995B10054
SECURE CONTACTS USING FIXING SCREW 2109F99009.
POSITIONS SHOWN BLANK ARE UNUSED

2	T	T	1
4	T	T	3
6	T	T	5
8	T	T	7
10	T	T	9
12	T	T	11
14			13
16			15
18			17
20			19
22			21
24			23
26			25
28	S	S	27

VIEW FROM NUMBERED SIDE OF BLOCK

OUTER TERMINAL BLOCK ASSY: -
ASSEMBLY INSTRUCTIONS: -
TYPICAL ASSEMBLY DRAWING 2995G10029.
AT INDICATED POSITIONS FIT AS FOLLOWS:
S - FIT STANDARD CONTACT 2995B10051
HC - FIT 'HEAVY CURRENT' KIT 2995G10030
WHERE IS SHOWN FIT CT SHORTING KIT 2995G10031
POSITIONS SHOWN BLANK ARE UNUSED.
ALL POSITIONS FIT SCREW 2106F12506.

2	S	S	1
4	S	S	3
6	S	S	5
8	S	S	7
10	S	S	9
12	S	S	11
14			13
16			15
18			17
20			19
22			21
24			23
26			25
28	S	S	27

VIEW FROM INSIDE CASE

CONTACT CONFIG.	OUTPUT CONTACT PAIR / TERMINAL No.					
	1-3	2-4	5-7	6-8	9-11	10-12
6M	M	M	M	M	M	M
5M 1B	M	B	M	M	M	M
4M 2B	B	B	M	M	M	M
3M 3B	B	B	M	B	M	M
2M 4B	B	B	B	B	M	M
1M 5B	B	B	B	B	M	B

MATERIAL:

Dimensions in millimetres ; Surface texture in micrometres.
Machine where marked ✓
For explanation of dimensions, tolerances, notes etc. see B.S.308.
Limit on untoleranced unmachined dimensions ± _____
Limits on untoleranced machined dimensions to B.S.4500;
i.e. up to 6±0.1; over 30 to 120±0.3; over 315±0.8;
over 6 to 30±0.2; over 120 to 315±0.5;
General unmachined angular tolerance ± _____

Finish: _____
Treatment: _____

Title:
T.B. AND WIRING DIAG. FOR TR212-6 CONTACT
50V & 125V RELAYS IN EPSILON E2 CASE

SIEMENS PROTECTION DEVICES LTD.

Original Scale: _____

First used on: _____
Similar Articles: 2112W50214
Supersedes: _____
Drg. No. **2112W50211**

1	02/02/12	CHANGE NOTED	△
ISSUE	DATE		