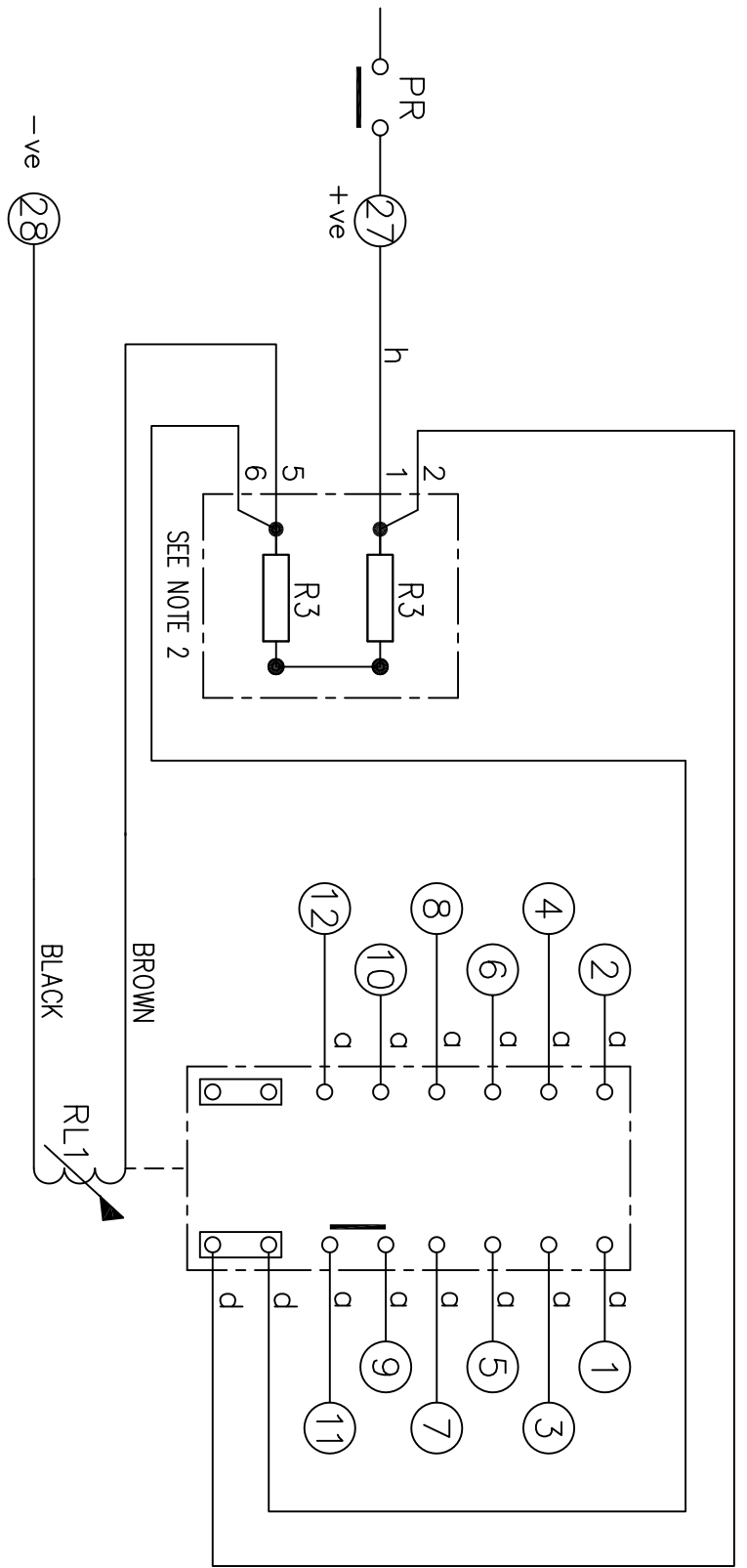
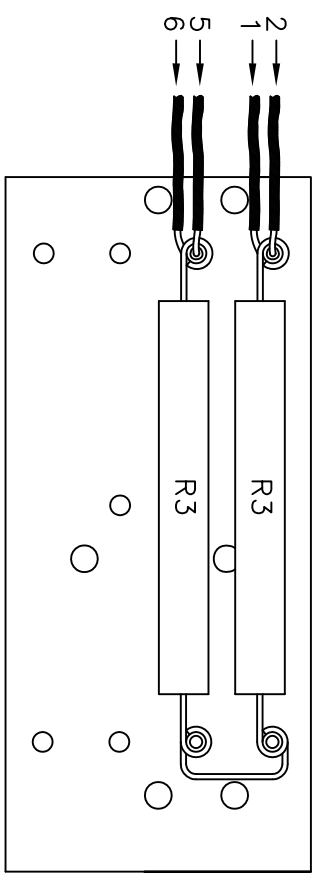


IF IN DOUBT ASK
DO NOT SCALE

1 2 3 4 5 6 7 8

RESISTOR ASSEMBLY AND WIRE INDICATION.



**NOT SUBJECT TO UPDATE
ONCE COPIED / PRINTED
OR DOWNLOADED**

NOTE:
1. CONTACT CONFIGURATION ABOVE IS REQUIRED FOR RELAY OPERATION.
FOR DETAILS OF VARIABLE CONTACT OPTIONS SEE TABLE BELOW
2. WIRE NUMBERS ARE ASSOCIATED WITH RESISTOR ASSEMBLIES OPPOSITE.

ASSEMBLY WIRES USED			
a	2107B10001	12 OFF	
d	2107B10004	2 OFF	
h	2107D10166	1 OFF	VDC

OUTER TERMINAL BLOCK ASSY:-			
2	T	T	1
4	T	T	3
6	T	T	5
8	T	T	7
10	T	T	9
12	T	T	11
14	T	T	13
16	T	T	15
18	T	T	17
20	T	T	19
22	T	T	21
24	T	T	23
26	T	T	25
28	S	S	27

CONTACT CONFIG.	OUTPUT	CONTACT PAIR	TERMINAL No.
1-3	M	M	10-12
2-4	M	M	10-12
5-7	M	M	10-12
6-8	M	M	10-12
9-11	M	M	10-12
10-12	M	M	10-12
6M	M	M	M
5M	M	M	M
4M	M	M	M
3M	M	M	M
2M	M	M	M
1M	M	M	M

KEY

- o o make contact
- o o break contact
- o o c/o contact
- ② ext. conn
- plug bridge
- shorting
- metering point
- 5kV barrier
- test socket
- shorting
- plug & socket

FRAME REFERENCE: E2FAQM.
FRAME TERMINAL BLOCK ASSY:-
ASSEMBLY INSTRUCTIONS:-
TYPICAL ASSEMBLY DRAWING 2995G10032.
AT INDICATED POSITIONS FIT AS FOLLOWS:
T - FIT TRIP ISOLATION CONTACT 2995B10053
S - FIT STANDARD CONTACT 2995B10054
SECURE CONTACTS USING FIXING SCREW 2109F99009.
POSITIONS SHOWN BLANK ARE UNUSED

VIEW FROM NUMBERED SIDE OF BLOCK

VIEW FROM INSIDE CASE

Copyright © 2012 Siemens Protection Devices Ltd. Hebburn

ISSUE	DATE	NOTED
2	26/07/13	MNS3658/112 JB
1	02/02/12	CHANGE



MATERIAL:

Dimensions in millimetres : Surface texture in micrometres.
Machine where marked ✓
For explanation of dimensions, tolerances, notes etc. see B.S.308.
Limit on untoleranced unmachined dimensions ± _____
Limits on untoleranced machined dimensions to B.S.4500:
i.e. up to 6±0.1; over 30 to 120±0.3; over 315±0.8;
over 6 to 30±0.2; over 120 to 315±0.5;
General unmachined angular tolerance ± _____

Finish: _____
Treatment: _____

Title: T.B. AND WIRING DIAG. FOR TR212-6 CONTACT 30V RELAY IN EPSILON E2 CASE

SIEMENS PROTECTION DEVICES LTD.

Original Scale: _____
Drg. No. 2112W50210

DRAWN J. BURNETT CHECKED RD.WATSON APPROVED RD.WATSON DATE 26/03/2012 IE OPS PCP Purch.Spec. TQ EAC CE STD A3