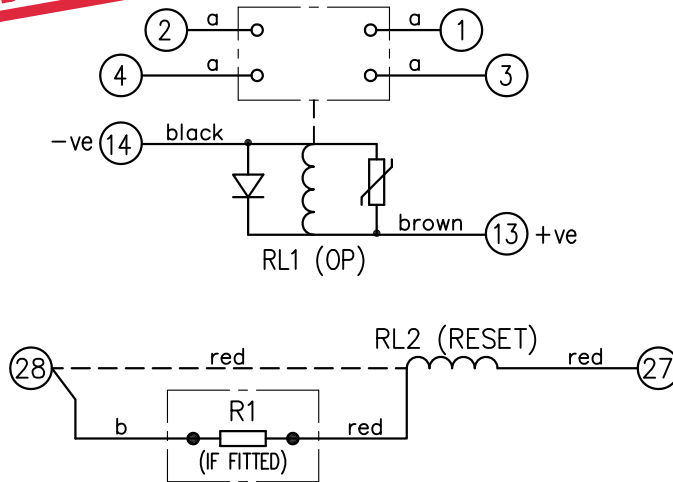


LOOKING ON FRONT OF RELAY

NOT SUBJECT TO UPDATE
ONCE COPIED / PRINTED
OR DOWNLOADED



NOTES:

1. RESET COILS ARE NOT CONTINUOUSLY RATED. IT IS RECOMMENDED THAT A N.O. CONTACT IS CONNECTED IN SERIES WITH THE RESET COIL
2. DASHED LINE ---- SHOWS CONNECTIONS WHEN RESISTORS ARE NOT FITTED.

ASSEMBLY WIRES USED		
a	2107B10002	4 OFF
b	2107D10181	1 OFF

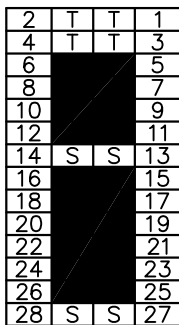
KEY	
	make contact
	break contact
	c/o contact
	ext. conn
	plug bridge - shorting
	metering point
	5Kv barrier
	test socket - shorting
	plug & socket

RL2 (RESET) KIT	SOLKIT:6V	SOLKIT:6V	SOLKIT:6V	SOLKIT:12V	SOLKIT:36V	SOLKIT:36V
RL1 (OP) COIL	2112G20019	2112G20020	2112G20022	2112G20023	2112G20026	2112G20029
R1	NIL	2102C15687	2102C25180	2102C15270	NIL	2102C15471
Volts dc	24	30	48	60	125	240
CONTACT CONFIG.	OUTPUT CONTACT PAIR / TERMINAL No.					
	1-3	2-4	5-7	6-8	9-11	10-12
2M	M	M	/	/	/	/
1M 1B	M	B	/	/	/	/
2B	B	B	/	/	/	/

FRAME REFERENCE: E2FAQM.

FRAME TERMINAL BLOCK ASSY: -

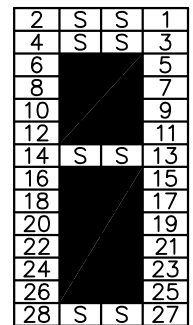
ASSEMBLY INSTRUCTIONS: -
TYPICAL ASSEMBLY DRAWING 2995G10032.
AT INDICATED POSITIONS FIT AS FOLLOWS:
T - FIT TRIP ISOLATION CONTACT 2995B10053
S - FIT STANDARD CONTACT 2995B10054
SECURE CONTACTS USING FIXING SCREW 2109F99009.
POSITIONS SHOWN BLANK ARE UNUSED



VIEW FROM NUMBERED SIDE OF BLOCK

OUTER TERMINAL BLOCK ASSY: -

ASSEMBLY INSTRUCTIONS: -
TYPICAL ASSEMBLY DRAWING 2995G10029.
AT INDICATED POSITIONS FIT AS FOLLOWS:
S - FIT STANDARD CONTACT 2995B10051
HC - FIT 'HEAVY CURRENT' KIT 2995G10030
WHERE IS SHOWN FIT CT SHORTING
KIT 2995G10031
POSITIONS SHOWN BLANK ARE UNUSED.
ALL POSITIONS FIT SCREW 2106F12506.



VIEW FROM INSIDE FACE

Copyright © 2002 VATECH REYROLLE ACP Ltd. Hebburn

1	16/11/11	MOD.No.	Title: T.B. & W.D. FOR AR106D 2C RELAY IN EPSILON E2 CASE		First used on:
			<p style="text-align: center;">VATECH REYROLLE</p> <p style="text-align: center;">AUTOMATION, CONTROL & PROTECTION</p>		Similar Articles:
		Supersedes:			
				Original Scale:	Drq.No.
				2112W50207	
DRAWN:	J. BURNETT	CHECKED:	RD. WATSON	APPROVED:	RD. WATSON
			DATE:	17/11/2011	IE:
					OPS: