



Reyrolle
Protection
Devices

7PG1966 - B66

Synchronising Auxiliary Relay

Answers for energy

SIEMENS

7PG1966 - B66

Synchronising Auxiliary Relay



Description

The B66 relay is an attracted armature type operating self-reset contacts. Two magnetically opposed coils are fitted, energisation of only the front coil causes operation.

Application

During synchronising if the circuit breaker control switch is held in the 'close' position and the operator merely waits for the check synchronising relay to allow circuit breaker closure or, if the control switch is inadvertently turned to the 'close' position with certain check synchronising relay settings and at a frequency well out of synchronisation, it is possible for the circuit breaker close coil to be 'pulsed' for a period sufficiently long to cause circuit breaker closure.

Such a condition is prevented by the type B66 relay which ensures that the check synchronising relay contacts are closed before it is possible to complete the circuit breaker close circuit.

Alternatively, the relay may be used to check for a failure of the check synchronising relay – it can be connected in a manner which allows detection of welded output contacts, and will prevent circuit breaker closure.

Technical Information

Ratings	50V 125V d.c.
A dual voltage 50/125V variant is available	
Operating Time	30ms
Operating Range	80% to 120% of rating

Contact Arrangement

Epsilon E2 Case

2 NO + 2 NC	Yes
4 C/O	Yes
4 NO + 2 NC	Yes
4 NO + 2 C/O	Yes

Contact Rating

Making and carrying a maximum of 1500VA a.c. or 1500W d.c. within the under mentioned limits.

Voltage	660V
Current	3A continuously 8A for 3 seconds 16A for 1 second
Break	300VA a.c. or 75W d.c. (inductive) within the limits of 250V and 5A
Burden	2-5W dependent on rating

Ordering Information

Information required when ordering.

Rating Contact Arrangement

	Epsilon E2
A	27
B	28
C	13
D	14
E	6
F	8
G	5
H	7
I	2
J	4
K	3
L	1

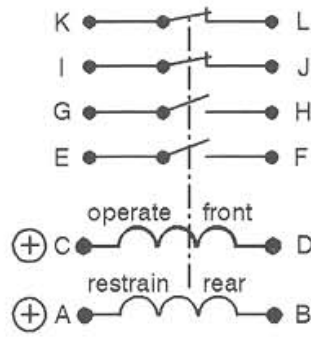


Table 1. 2NO & 2NC contacts

	Epsilon E2
A	27
B	28
C	13
D	14
E	10
F	12
G	9
H	11
I	6
J	8
K	5
L	7
M	2
N	4
O	1
P	3

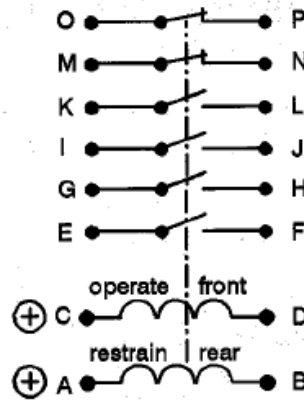


Table 2. 4NO & 2NC contacts

	Case style and size
	Epsilon E2
A	27
B	28
C	13
D	14
E	10
F	12
G	8
H	9
I	11
J	7
K	4
L	6
M	2
N	3
O	5
P	1

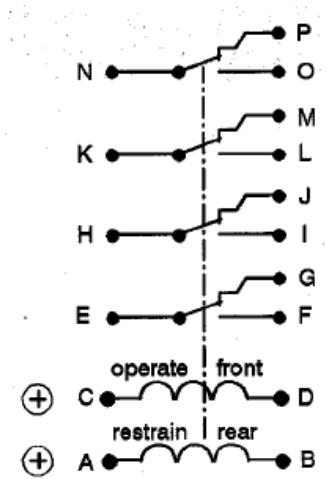


Table 3. 4C/O contacts (or 3NC contacts in Plug-in case).

	Case style and size
	Epsilon E2
A	27
B	28
C	13
D	14
E	12
F	16
G	11
H	15
I	8
J	10
K	7
L	9
M	4
N	6
O	2
P	3
Q	5
R	1

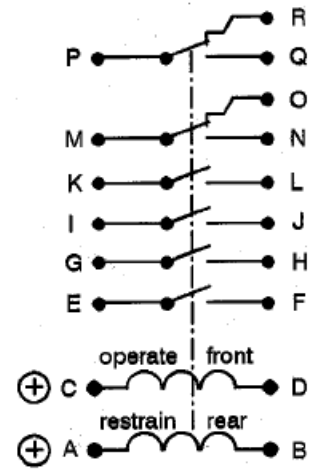


Table 4. 4NO 2C/O contacts (or 2C/O contacts in Plug-in case).

Published by and copyright © 2011:

Siemens AG
Energy Sector
Freyeslebenstrasse 1
91058 Erlangen, Germany

Siemens Protection Devices Limited

P.O. Box 8
North Farm Road
Hebburn
Tyne & Wear
NE31 1TZ
United Kingdom
Phone: +44 (0)191 401 7901
Fax: +44 (0)191 401 5575
www.siemens.com/energy

For more information, please contact our
Customer Support Center.

Phone: +49 180/524 70 00
Fax: +49 180/524 24 71 (Charges depending on provider)
E-mail: support.energy@siemens.com

Power Distribution Division Order No. E53000-K7076-C41-2

Printed in Fürth

Printed on elementary chlorine-free bleached paper.

All rights reserved.

Trademarks mentioned in this document are the property of Siemens AG, its affiliates, or their respective owners.

Subject to change without prior notice.

The information in this document contains general descriptions of the technical options available, which may not apply in all cases. The required technical options should therefore be specified in the contract.