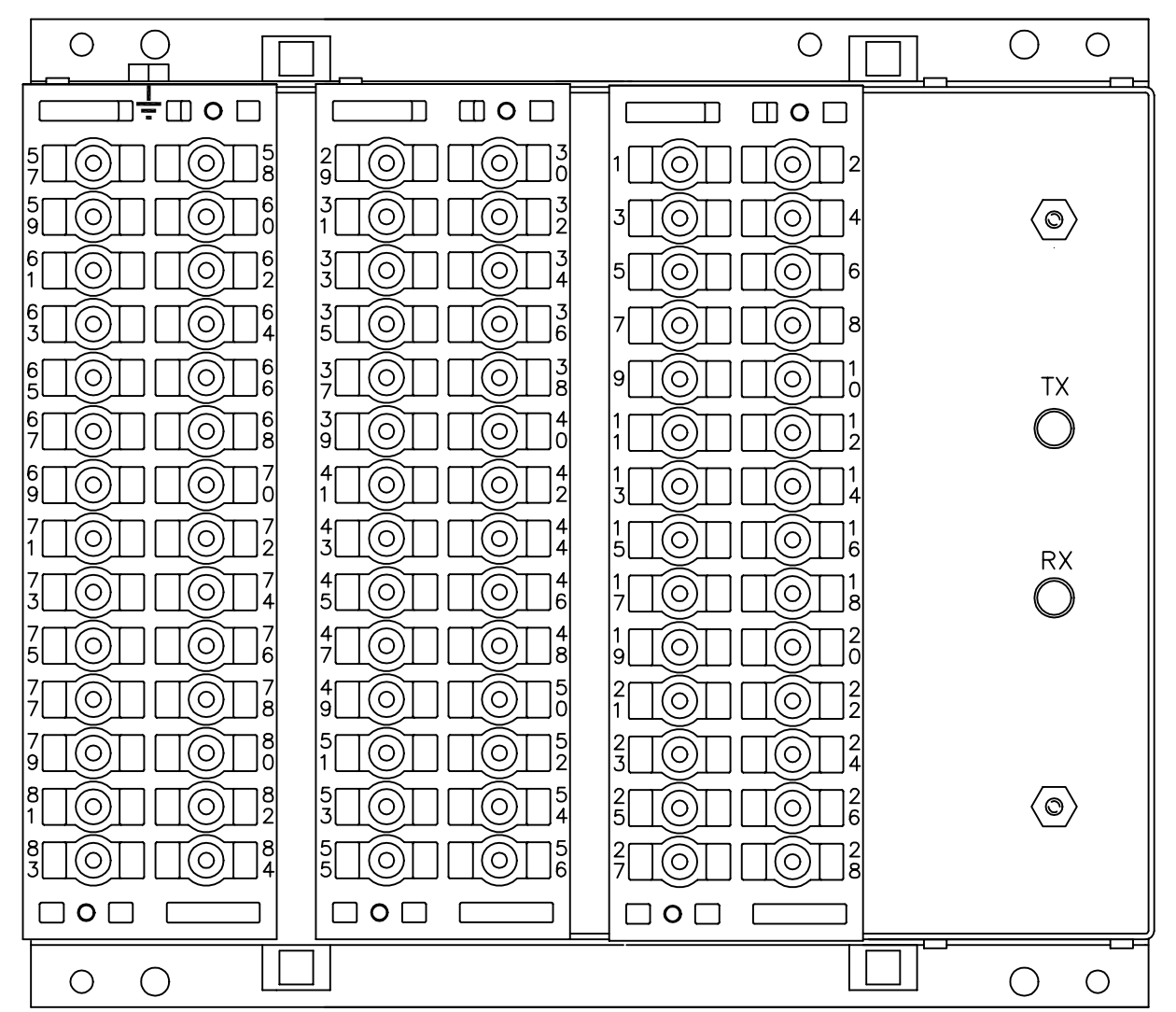
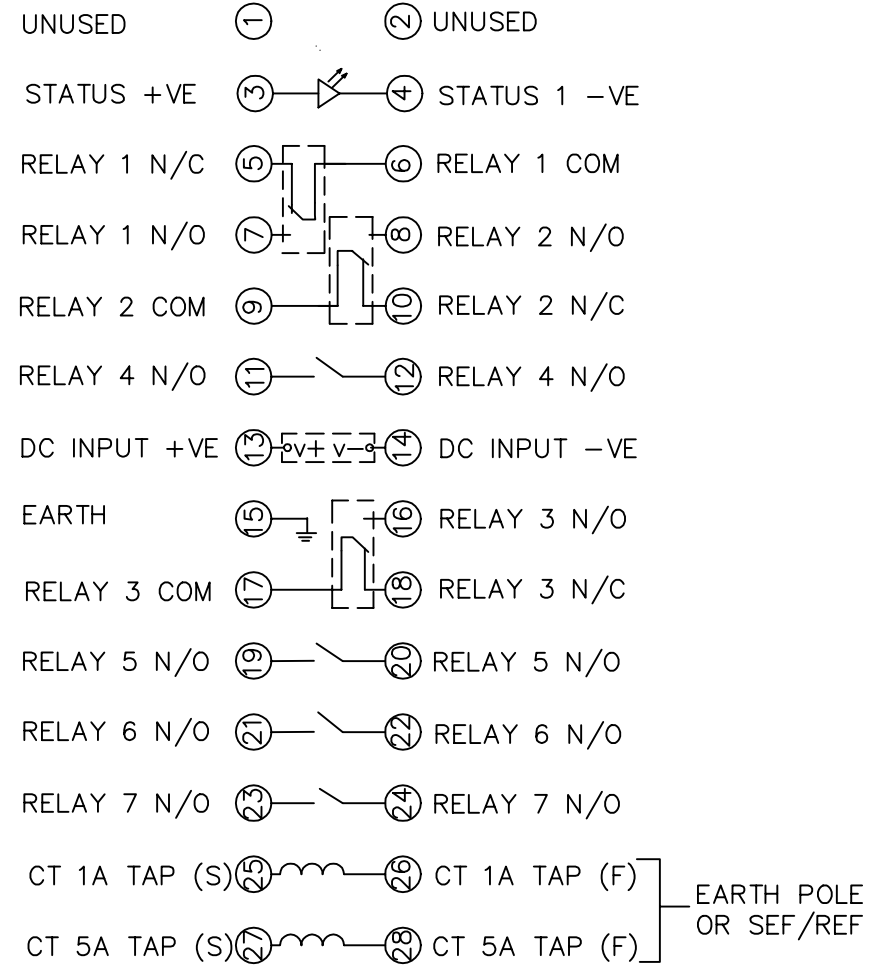
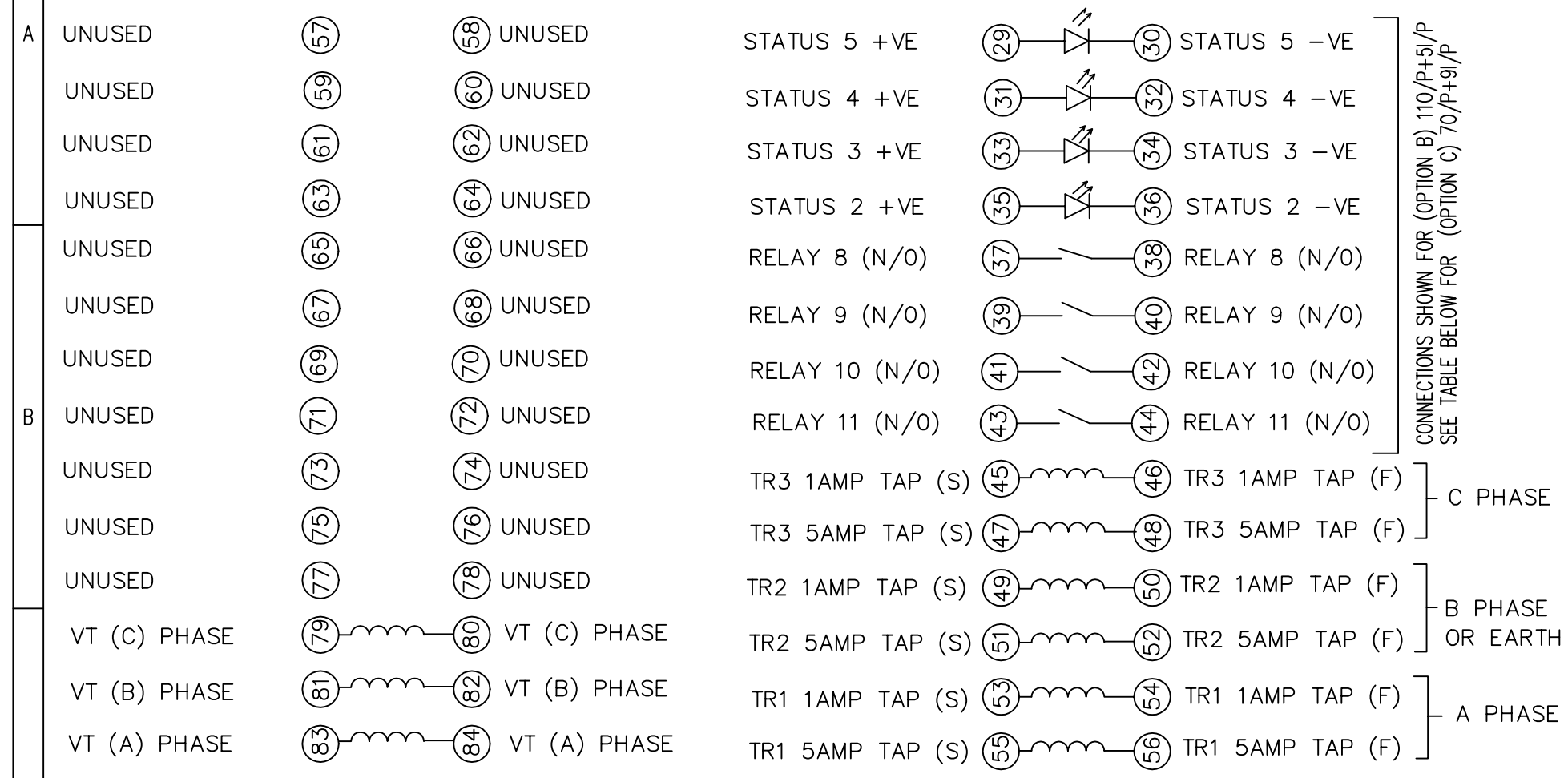


IF IN DOUBT ASK
DO NOT SCALE



BOX VIEWED FROM REAR

OUTER TERMINAL BLOCK ASSY:-
VIEW BLOCK FROM THE INSIDE FACE

ASSEMBLY INSTRUCTIONS:-
TYPICAL ASSEMBLY DRAWING 2995G10029
AT INDICATED POSITIONS FIT AS FOLLOWS,
S - FIT STANDARD CONTACT
2995B10051
HC - FIT 'HEAVY CURRENT' KIT
2995G10030
WHERE -o-o- IS SHOWN FIT
CT SHORTING KIT 2995G10031
POSITIONS SHOWN BLANK ARE UNUSED
ALL POSITIONS FIT SCREW 2106F12506

58	S	S	57
60	S	S	59
62	S	S	61
64	S	S	63
66	S	S	65
68	S	S	67
70	S	S	69
72	S	S	71
74	S	S	73
76	S	S	75
78	-o-o-	-o-o-	77
80	S	S	79
82	S	S	81
84	S	S	83

OUTER TERMINAL BLOCK ASSY:-
VIEW BLOCK FROM THE INSIDE FACE

ASSEMBLY INSTRUCTIONS:-
TYPICAL ASSEMBLY DRAWING 2995G10029
AT INDICATED POSITIONS FIT AS FOLLOWS,
S - FIT STANDARD CONTACT
2995B10051
HC - FIT 'HEAVY CURRENT' KIT
2995G10030
WHERE -o-o- IS SHOWN FIT
CT SHORTING KIT 2995G10031
POSITIONS SHOWN BLANK ARE UNUSED
ALL POSITIONS FIT SCREW 2106F12506

30	S	S	29
32	S	S	31
34	S	S	33
36	S	S	35
38	S	S	37
40	S	S	39
42	S	S	41
44	S	S	43
46	-o-o-	-o-o-	45
48	-o-o-	-o-o-	47
50	-o-o-	-o-o-	49
52	-o-o-	-o-o-	51
54	-o-o-	-o-o-	53
56	-o-o-	-o-o-	55

OUTER TERMINAL BLOCK ASSY:-
VIEW BLOCK FROM THE INSIDE FACE

ASSEMBLY INSTRUCTIONS:-
TYPICAL ASSEMBLY DRAWING 2995G10029
AT INDICATED POSITIONS FIT AS FOLLOWS,
S - FIT STANDARD CONTACT
2995B10051
HC - FIT 'HEAVY CURRENT' KIT
2995G10030
WHERE -o-o- IS SHOWN FIT
CT SHORTING KIT 2995G10031
POSITIONS SHOWN BLANK ARE UNUSED
ALL POSITIONS FIT SCREW 2106F12506

2	S	S	1
4	S	S	3
6	-o-o-	-o-o-	5
8	S	S	7
10	-o-o-	-o-o-	9
12	S	S	11
14	S	S	13
16	S	S	15
18	-o-o-	-o-o-	17
20	S	S	19
22	S	S	21
24	S	S	23
26	-o-o-	-o-o-	25
28	-o-o-	-o-o-	27

CHASSIS TERMINAL BLOCK ASSY
VIEW FROM NUMBERED SIDE OF BLOCK

ASSEMBLY INSTRUCTIONS:-
TYPICAL ASSEMBLY DRAWING 2995G10032
AT INDICATED POSITIONS FIT AS FOLLOWS,
T - FIT TRIP ISOLATION CONTACT
2995B10053
S - FIT STANDARD CONTACT
2995B10054
POSITIONS SHOWN BLANK ARE UNUSED

2	T	T	1
4	T	T	3
6	T	T	5
8	T	T	7
10	T	T	9
12	T	T	11
14	T	T	13
16	T	T	15
18	S	S	17
20	S	S	19
22	S	S	21
24	S	S	23
26	S	S	25
28	S	S	27

CHASSIS TERMINAL BLOCK ASSY
VIEW FROM NUMBERED SIDE OF BLOCK

ASSEMBLY INSTRUCTIONS:-
TYPICAL ASSEMBLY DRAWING 2995G10032
AT INDICATED POSITIONS FIT AS FOLLOWS,
T - FIT TRIP ISOLATION CONTACT
2995B10053
S - FIT STANDARD CONTACT
2995B10054
POSITIONS SHOWN BLANK ARE UNUSED

2	T	T	1
4	T	T	3
6	T	T	5
8	T	T	7
10	T	T	9
12	T	T	11
14	T	T	13
16	T	T	15
18	S	S	17
20	S	S	19
22	S	S	21
24	S	S	23
26	S	S	25
28	S	S	27

CHASSIS TERMINAL BLOCK ASSY
VIEW FROM NUMBERED SIDE OF BLOCK

ASSEMBLY INSTRUCTIONS:-
TYPICAL ASSEMBLY DRAWING 2995G10032
AT INDICATED POSITIONS FIT AS FOLLOWS,
T - FIT TRIP ISOLATION CONTACT
2995B10053
S - FIT STANDARD CONTACT
2995B10054
POSITIONS SHOWN BLANK ARE UNUSED

2	S	S	1
4	T	T	3
6	S	S	5
8	T	T	7
10	S	S	9
12	T	T	11
14	S	S	13
16	T	T	15
18	S	S	17
20	T	T	19
22	T	T	21
24	T	T	23
26	S	S	25
28	S	S	27

**NOT SUBJECT TO UPDATE
ONCE COPIED / PRINTED
OR DOWNLOADED**

NOTES
1) FOR E8 CASE ASSY SEE - 2434H50009 (A1)
TYPICAL CHASSIS ASSY - 2434H50011 (A1)
FOR OUTLINE & DRILLING DRG. SEE 2995X10008 (A4)
2) TERMINALS RECOMMENDED ARE PRE INSULATED & MUST
BE CRIMPED USING APPROVED TOOLING.
AMP PIDG OR PLASTI GRIP FUNNEL ENTRY (RING TONGUE)
FOR M4 FIXING STUD.

SUPPLIER	AMP	CABLE SIZE
AMP	342103	0.25-1.6 SQ MM
AMP	342143	1.0-2.6 SQ MM.

OR ANY OTHER MANUFACTURERS EQUIVALENT TERMINAL.

MATERIAL:

Dimensions in millimetres ; Surface texture in micrometres.
Machine where marked ✓
For explanation of dimensions, tolerances, notes etc. see B.S.308.
Limit on untoleranced unmachined dimensions ±
Limits on untoleranced machined dimensions to B.S.4500;
i.e. up to 6±0.1; over 30 to 120±0.3; over 315±0.8;
over 6 to 30±0.2; over 120 to 315±0.5;
General unmachined angular tolerance ±

Finish:
Treatment:

Title:
TERMINAL IDENTIFICATION & WIRING DIAGRAM ARGUS 2
DIGITAL DIRECTIONAL RELAY (E8 CASE)
**Reyrolle Protection
Hebburn.**
Original Scale:
1:1

First used on:
Similar Articles:
Supersedes:
Drg. No.
2434W50006

PROTECTION TYPE	SCHEMATIC DIAGRAM VERSION B	SCHEMATIC DIAGRAM VERSION C
3 PHASE(DIR)+EARTH(DIR) STAR CONNECTED VT	2434W10088 (A3)	2434W10089 (A3)
3 PHASE(DIR)+EARTH(DIR) OPEN DELTA CONNECTED VT	2434W10090 (A3)	2434W10091 (A3)
3 PHASE(DIR)+SEF STAR CONNECTED VT	2434W10092 (A3)	2434W10093 (A3)
2 PHASE(DIR)+EARTH(DIR)+ SEF STAR CONNECTED VT	2434W10094 (A3)	2434W10095 (A3)
3 PHASE(DIR) + SEF OPEN DELTA CONNECTED VT	2434W10096 (A3)	2434W10097 (A3)