



IF IN DOUBT ASK
DO NOT SCALE

A

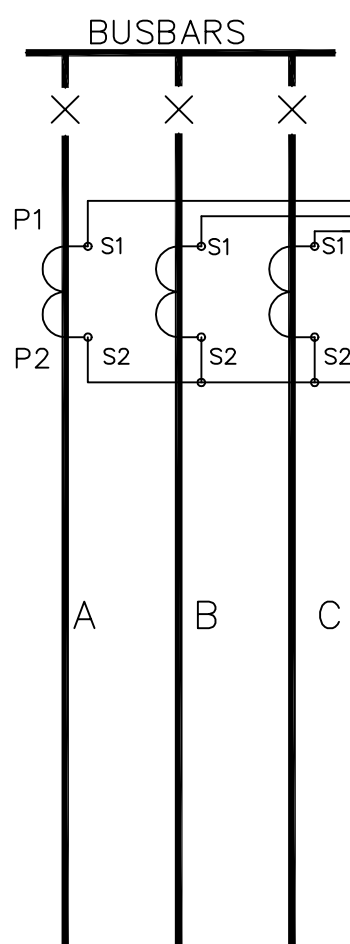
B

C

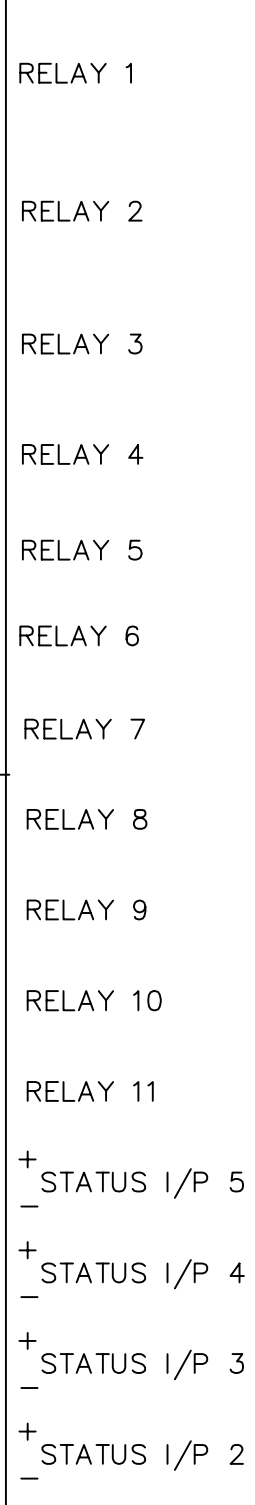
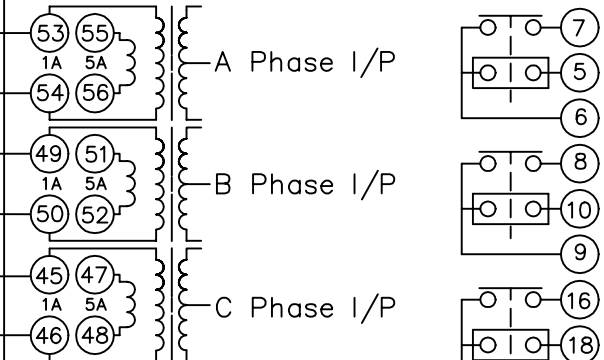
D

E

F



DCD31xB R6 Case Size



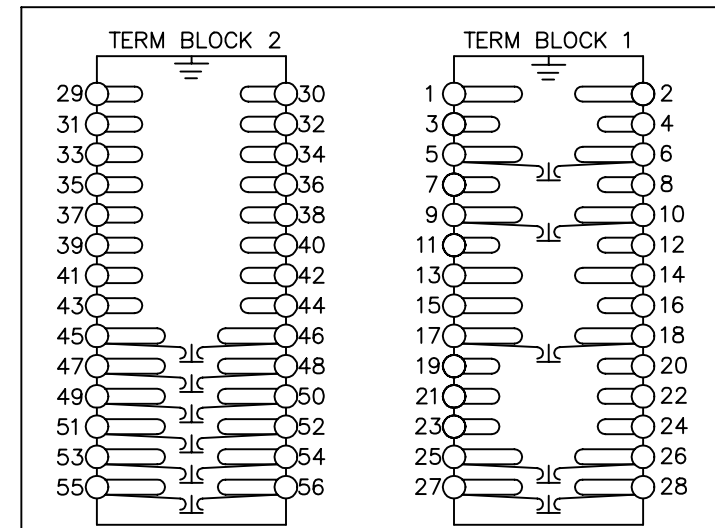
EXPANSION PCB

NOTES

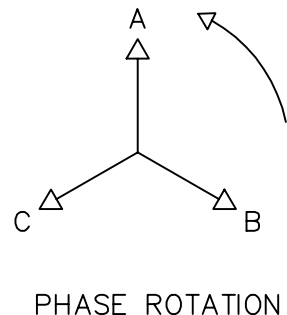
- 1 CT CIRCUITS ARE SHOWN CONNECTED TO RELAY 1 AMP TAP. USE ALTERNATIVE TAP FOR 5AMP RATED CTs.
- 2 CT & EARTH CONNECTIONS ARE TYPICAL ONLY.
- 3 FOR TERMINAL DIAGRAM SEE 2434W20001 (A2)
- 4 DRG SHOWS OPTION A (7 O/P. 1 I/P) DRG SHOWS OPTION B (11 O/P. 5 I/P).

**NOT SUBJECT TO UPDATE
ONCE COPIED / PRINTED
OR DOWNLOADED**

TERMINAL BLOCKS VIEWED FROM REAR



- KEY
- 1 Short Terminals
 - 2 Long Terminals
 - 3 CT Shorting Links



D.C. Auxilliary Input Volts
+ (13)
- (14)

Earth (15)

STATUS I/P 1
+ (3)
- (4)

TX (37)
RX (38)
Fibre-Optic SMA Connectors

MATERIAL:

Dimensions in millimetres : Surface texture in micrometres.
Machine where marked ✓
For explanation of dimensions, tolerances, notes etc. see B.S.308.
Limit on untoleranced unmachined dimensions ± _____
Limits on untoleranced machined dimensions to B.S.4500;
i.e. up to 6±0.1; over 30 to 120±0.3; over 315±0.8;
over 6 to 30±0.2; over 120 to 315±0.5;
General unmachined angular tolerance ± _____

Finish: _____

Treatment: _____

Title:
TYPICAL SCHEMATIC DIAGRAM FOR 3 PHASE
DCD OVERCURRENT RELAY

**Reyrolle Protection
Hebburn.**

Original Scale:
NTS

First used on:
Similar Articles: 2434W10031
Supersedes:

Drq. No.
2434W10017

3	20/10/97	MN434/103
2	12/11/96	MN434/42
1	21/10/96	CHANGE NOTED