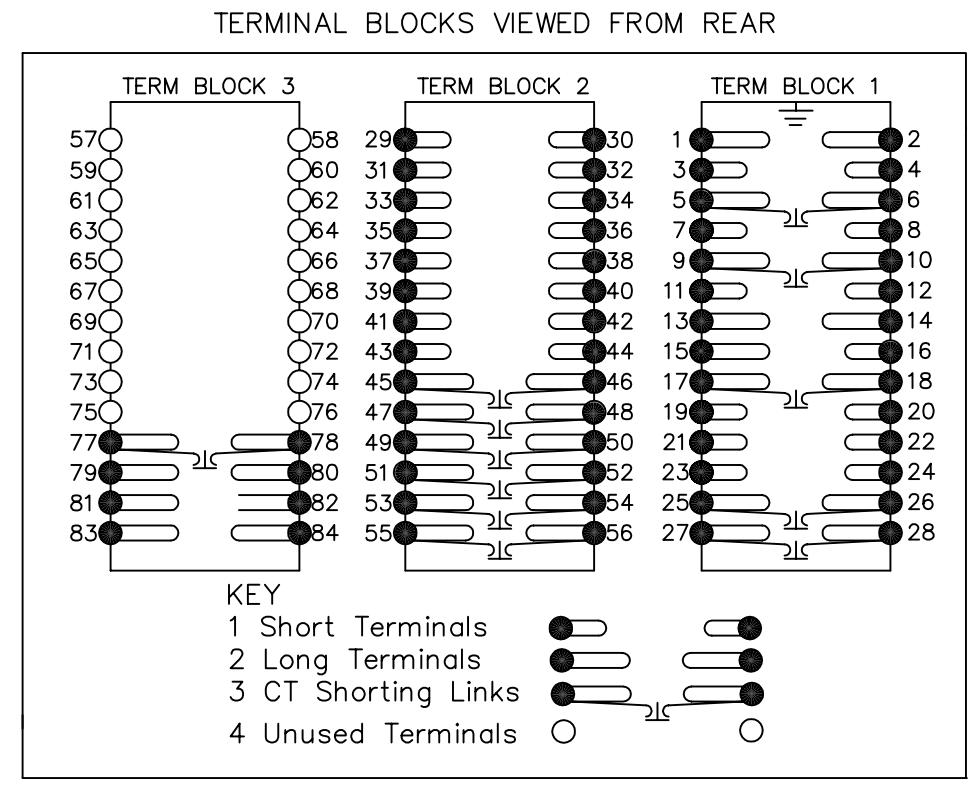
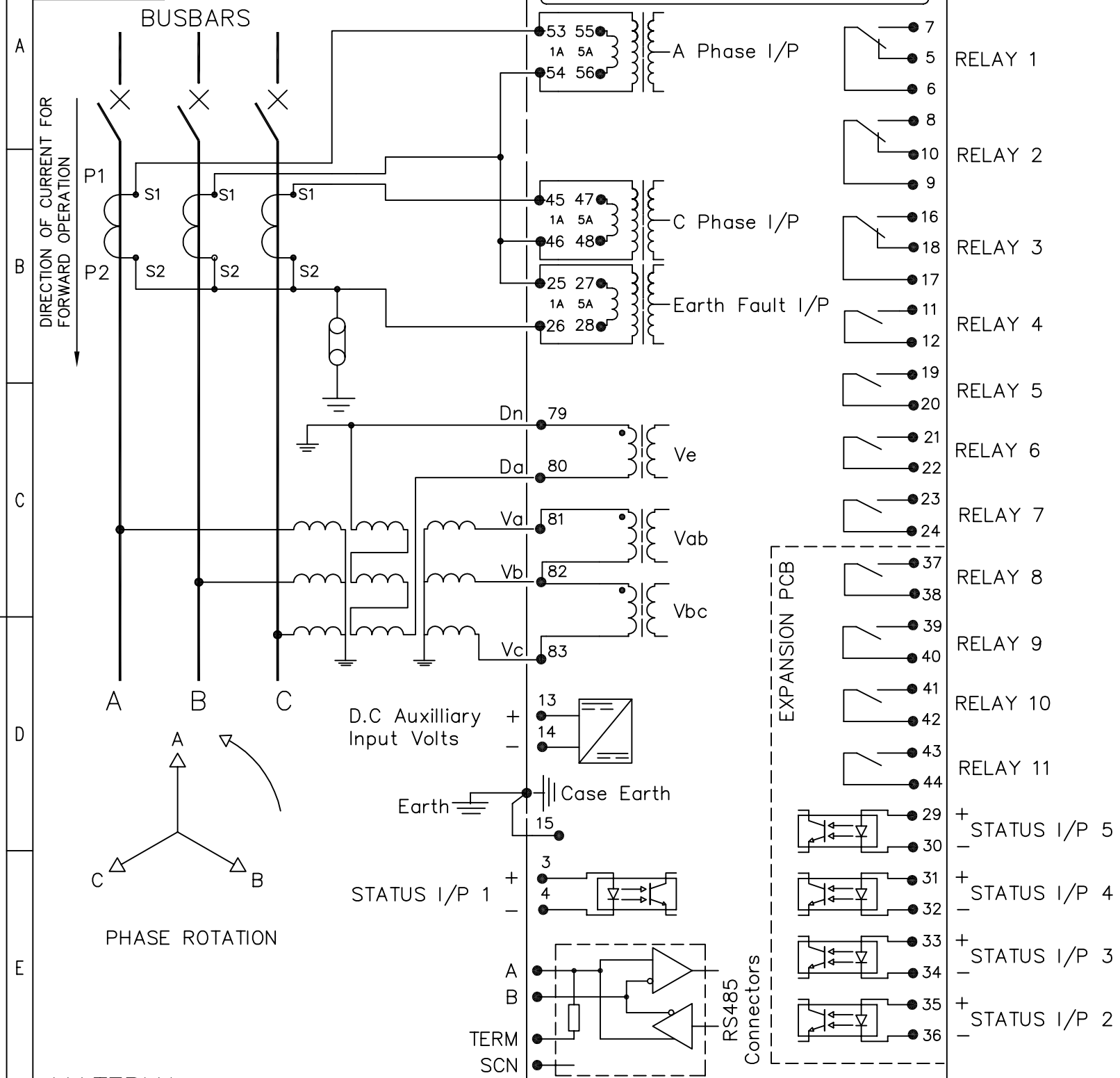


IF IN DOUBT ASK
DO NOT SCALE



- NOTES**
1. CT CIRCUITS ARE SHOWN CONNECTED TO RELAY 1 AMP TAP. USE ALTERNATIVE TAP FOR 5AMP RATED CTs.
 2. CT & EARTH CONNECTIONS ARE TYPICAL ONLY.
 3. FOR TERMINAL DIAGRAM SEE 2434W50010 (A2).
 4. DRG SHOWS OPTION B (11 OUTPUTS, 5 INPUTS).

NOT SUBJECT TO UPDATE
ONCE COPIED / PRINTED
OR DOWNLOADED

MATERIAL:

Dimensions in millimetres : Surface texture in micrometres.
Machine where marked ✓
For explanation of dimensions, tolerances, notes etc. see B.S.308.
Limit on untoleranced unmachined dimensions ± _____
Limits on untoleranced machined dimensions to B.S.4500;
i.e. up to 6±0.1; over 30 to 120±0.3; over 315±0.8;
over 6 to 30±0.2; over 120 to 315±0.5;
General unmachined angular tolerance ± _____

Finish: _____
Treatment: _____

Title: TYPICAL SCHMATIC DIAGRAM 2PH(DIR)+EF(DIR) E8 110/P+5I/P
RS485 ARGUS 2 NUMERIC OVERCURRENT PROTECTION

SIEMENS PROTECTION DEVICES LTD.

Original Scale: NTS

First used on: _____
Similar Articles: 2434W10067
Supersedes: _____
Drg. No. 2434W10125

1	12/02/07	CHANGE NOTED
ISSUE	DATE	NOTED