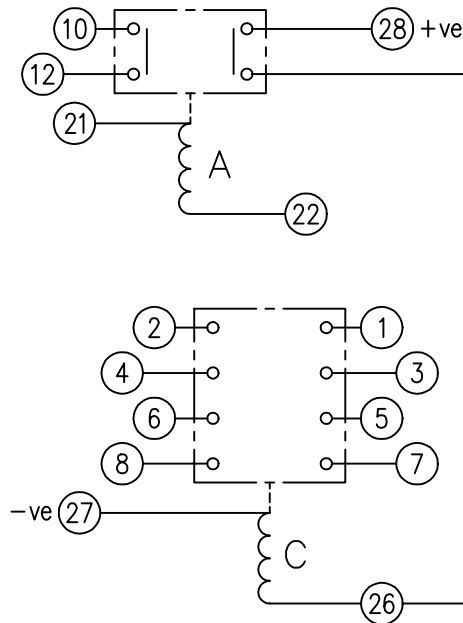


LOOKING ON FRONT OF RELAY



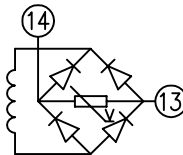
**NOT SUBJECT TO UPDATE  
ONCE COPIED / PRINTED  
OR DOWNLOADED**

**KEY**

- make contact
- break contact
- c/o contact
- ext. conn
- plug bridge - shorting
- metering point
- 5Kv barrier
- test socket - shorting
- plug & socket

| CONTACT CONFIG. | OUTPUT CONTACT PAIR / TERMINAL No. |     |     |     |      |       |
|-----------------|------------------------------------|-----|-----|-----|------|-------|
|                 | 1-3                                | 2-4 | 5-7 | 6-8 | 9-11 | 10-12 |
| 4M              | M                                  | M   | M   | M   |      |       |
| 3M 1B           | M                                  | B   | M   | M   |      |       |
| 2M 2B           | B                                  | B   | M   | M   |      |       |
| 1M 3B           | B                                  | B   | M   | B   |      |       |
| 4B              | B                                  | B   | B   | B   |      |       |

NOTE: WHEN RECTIFIER IS SPECIFIED COIL CONNS. ARE AS SHOWN.



FRAME REFERENCE: E3FAQQ.

FRAME TERMINAL BLOCK ASSY: -

ASSEMBLY INSTRUCTIONS: -  
TYPICAL ASSEMBLY DRAWING 2995G10032.  
AT INDICATED POSITIONS FIT AS FOLLOWS:  
T - FIT TRIP ISOLATION CONTACT 2995B10053  
S - FIT STANDARD CONTACT 2995B10054  
SECURE CONTACTS USING FIXING SCREW 2109F99009.  
POSITIONS SHOWN BLANK ARE UNUSED

|    |   |   |    |
|----|---|---|----|
| 2  | T | T | 1  |
| 4  | T | T | 3  |
| 6  | T | T | 5  |
| 8  | T | T | 7  |
| 10 | T |   | 9  |
| 12 | T |   | 11 |
| 14 |   |   | 13 |
| 16 |   |   | 15 |
| 18 |   |   | 17 |
| 20 |   |   | 19 |
| 22 | S | S | 21 |
| 24 |   |   | 23 |
| 26 | S |   | 25 |
| 28 | S | S | 27 |

VIEW FROM NUMBERED SIDE OF BLOCK

OUTER TERMINAL BLOCK ASSY: -

ASSEMBLY INSTRUCTIONS: -  
TYPICAL ASSEMBLY DRAWING 2995G10029.  
AT INDICATED POSITIONS FIT AS FOLLOWS:  
S - FIT STANDARD CONTACT 2995B10051  
HC - FIT 'HEAVY CURRENT' KIT 2995G10030  
WHERE IS SHOWN FIT CT SHORTING KIT 2995G10031  
POSITIONS SHOWN BLANK ARE UNUSED.  
ALL POSITIONS FIT SCREW 2106F12506.

|    |   |   |    |
|----|---|---|----|
| 2  | S | S | 1  |
| 4  | S | S | 3  |
| 6  | S | S | 5  |
| 8  | S | S | 7  |
| 10 | S |   | 9  |
| 12 | S |   | 11 |
| 14 |   |   | 13 |
| 16 |   |   | 15 |
| 18 |   |   | 17 |
| 20 |   |   | 19 |
| 22 | S | S | 21 |
| 24 |   |   | 23 |
| 26 | S |   | 25 |
| 28 | S | S | 27 |

VIEW FROM INSIDE FACE

|                 |          |                    |  |                      |                   |
|-----------------|----------|--------------------|--|----------------------|-------------------|
| 3               | 25/04/01 | MN112/2061         | Title:<br>T.B. AND W.D. FOR XR250/XR251 RELAYS IN EPSILON E3 CASE. |                      | First used on:    |
|                 |          |                    | <b>Reyrolle Protection Hebburn.</b>                                |                      | Similar Articles: |
| Original Scale: |          | Supersedes:        |  |                      |                   |
|                 |          | Drg.No. 2112W50047 |  | Drg.No. 2112W50047   |                   |
| DRAWN: A.LAW.   | CHECKED: |                    |  | APPROVED: R.D.WATSON | DATE: 16/07/02    |