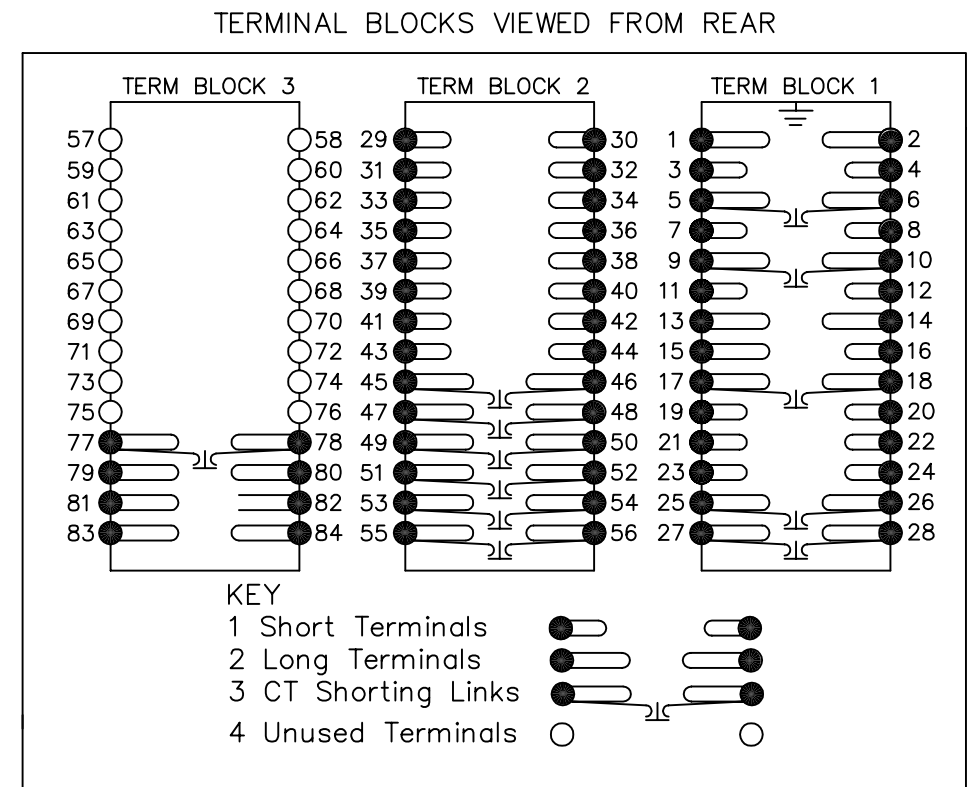
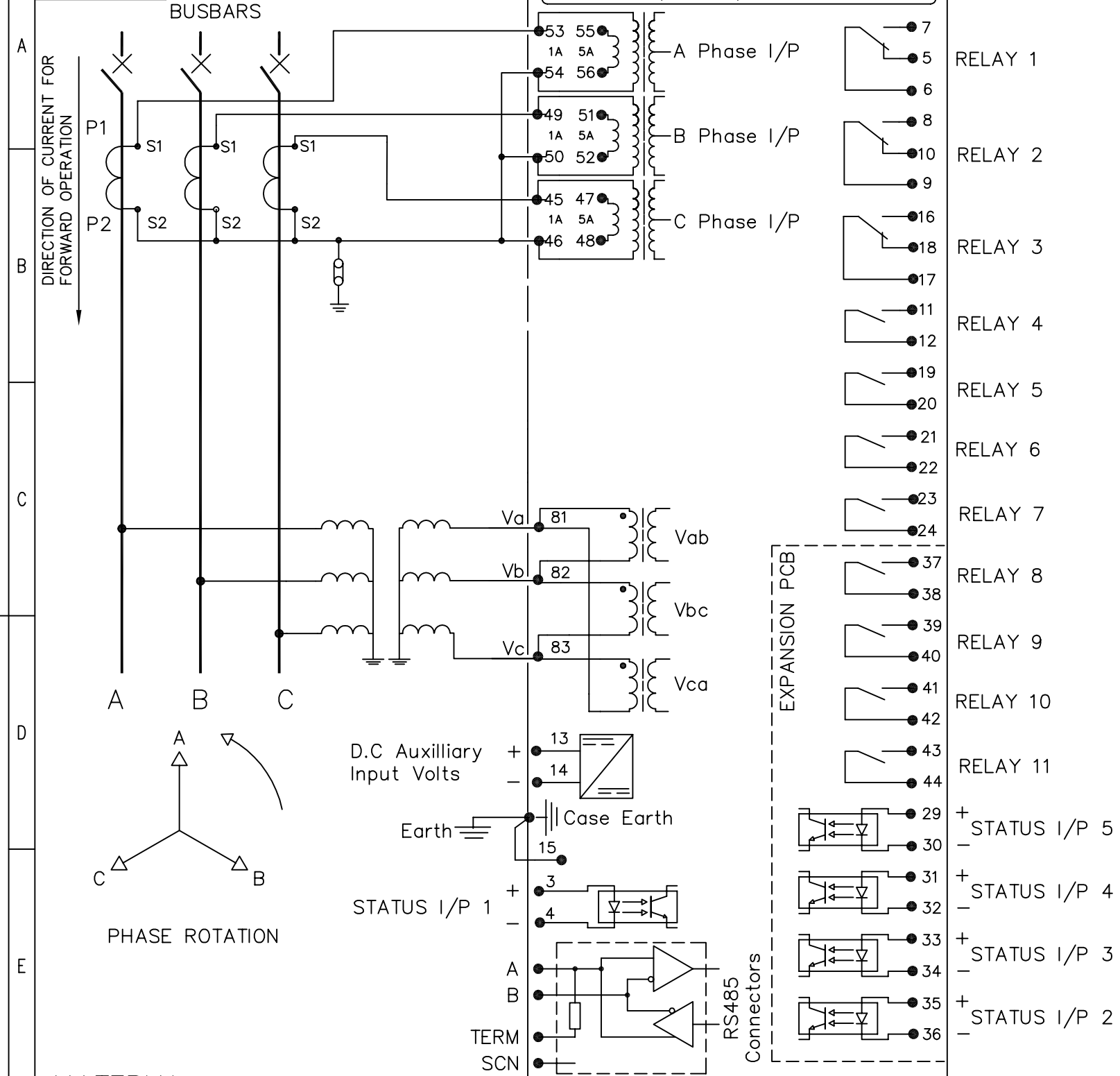


IF IN DOUBT ASK
DO NOT SCALE



- NOTES**
1. CT CIRCUITS ARE SHOWN CONNECTED TO RELAY 1 AMP TAP. USE ALTERNATIVE TAP FOR 5AMP RATED CTs.
 2. CT & EARTH CONNECTIONS ARE TYPICAL ONLY.
 3. FOR TERMINAL DIAGRAM SEE 2434W50010 (A2).
 4. DRG SHOWS OPTION B (11 OUTPUTS, 5 INPUTS).

**NOT SUBJECT TO UPDATE
ONCE COPIED / PRINTED
OR DOWNLOADED**

MATERIAL:

Dimensions in millimetres : Surface texture in micrometres.
Machine where marked ✓
For explanation of dimensions, tolerances, notes etc. see B.S.308.
Limit on untoleranced unmachined dimensions ± _____
Limits on untoleranced machined dimensions to B.S.4500;
i.e. up to 6±0.1; over 30 to 120±0.3; over 315±0.8;
over 6 to 30±0.2; over 120 to 315±0.5;
General unmachined angular tolerance ± _____

Finish: _____
Treatment: _____

Title:
TYPICAL SCHEMATIC DIAGRAM 3 PHASE(DIR) E8 110/P+5I/P
RS485 COMMS ARGUS 2 NUMERIC OVERCURRENT PROTECTION

SIEMENS PROTECTION DEVICES LTD.

Original Scale:
NTS

First used on: _____
Similar Articles: 2434W10063
Supersedes: _____
Drng. No.
2434W10121

1	12/02/07	CHANGE NOTED	△
ISSUE	DATE	NOTED	

Copyright © 2007 Siemens Protection Devices Ltd. Hebburn