



IF IN DOUBT ASK  
DO NOT SCALE

A

B

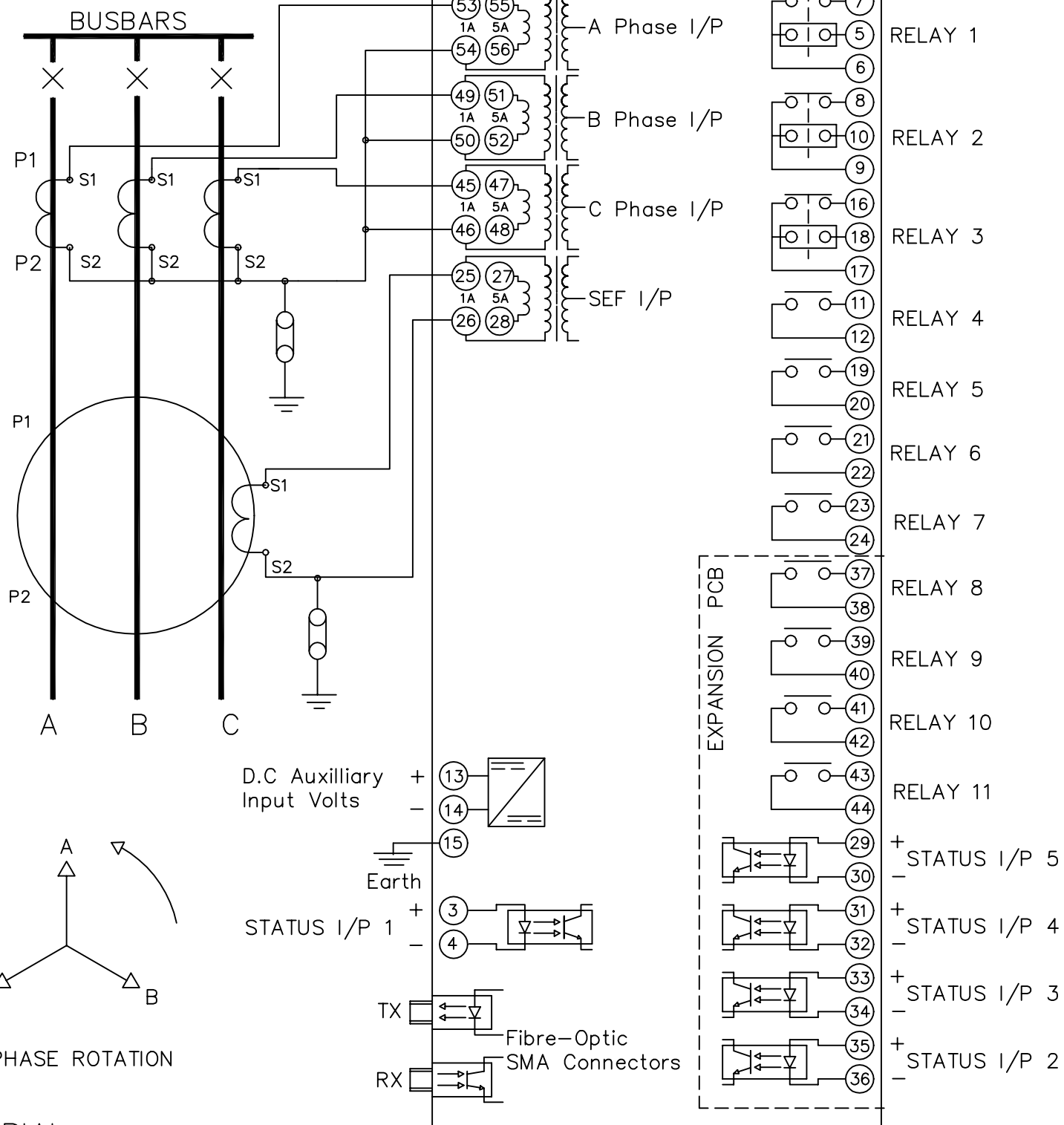
C

D

E

F

DCD42x B R6 Case Size

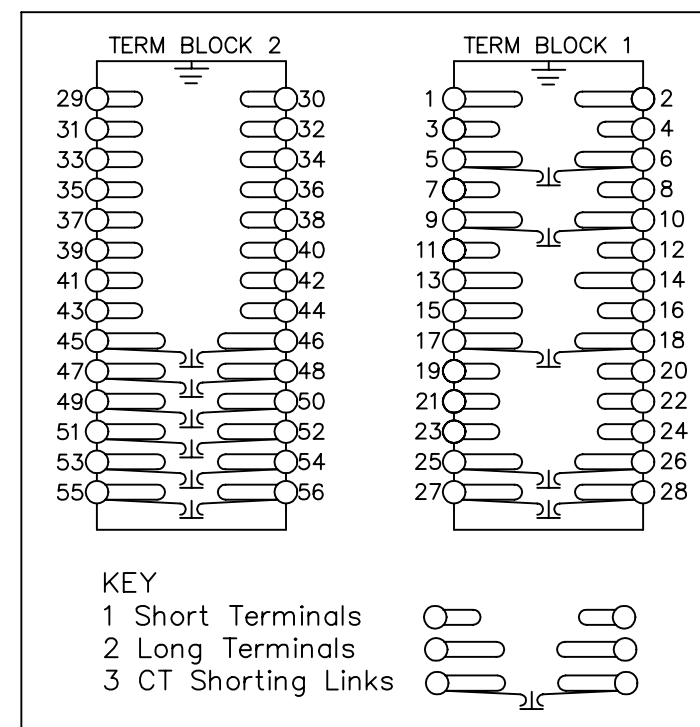


NOTES

- 1 CT CIRCUITS ARE SHOWN CONNECTED TO RELAY 1 AMP TAP. USE ALTERNATIVE TAP FOR 5AMP RATED CTs.
- 2 CT & EARTH CONNECTIONS ARE TYPICAL ONLY.
- 3 METROSIL & SETTING RESISTORS ARE REQUIRED FOR HIGH IMPEDANCE & RESTRICTED E/F APPLICATIONS.
- 4 FOR TERMINAL DIAGRAM SEE 2434W20001 (A2)
- 5 DRG SHOWS OPTION A (7 O/P. 1 I/P).  
DRG SHOWS OPTION B (11 O/P. 5 I/P).

NOT SUBJECT TO UPDATE  
ONCE COPIED / PRINTED  
OR DOWNLOADED

TERMINAL BLOCKS VIEWED FROM REAR



MATERIAL:

Dimensions in millimetres : Surface texture in micrometres.  
Machine where marked ✓  
For explanation of dimensions, tolerances, notes etc. see B.S.308.  
Limit on untoleranced unmachined dimensions ± \_\_\_\_\_  
Limits on untoleranced machined dimensions to B.S.4500;  
i.e. up to 6±0.1; over 30 to 120±0.3; over 315±0.8;  
over 6 to 30±0.2; over 120 to 315±0.5;  
General unmachined angular tolerance ± \_\_\_\_\_

Finish: \_\_\_\_\_

Title:  
TYPICAL SCHEMATIC DIAGRAM FOR 3 PHASE + SEF.  
DCD OVERCURRENT RELAY

First used on: \_\_\_\_\_

Similar Articles: 2434W10032

Supersedes: \_\_\_\_\_

Treatment: \_\_\_\_\_

Reyrolle Protection  
Hebburn.

Original Scale:  
NTS

Drq. No.  
2434W10015