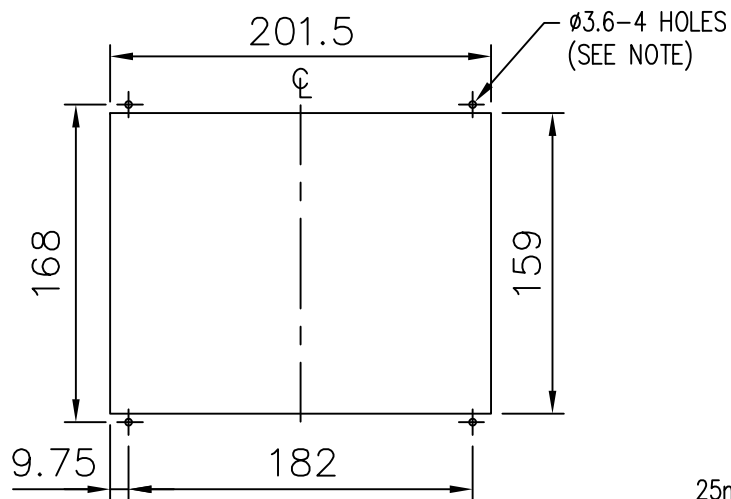
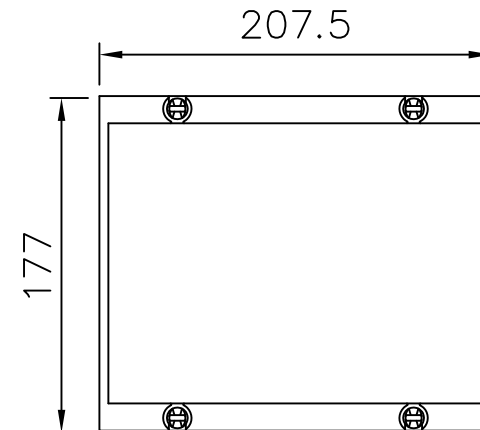
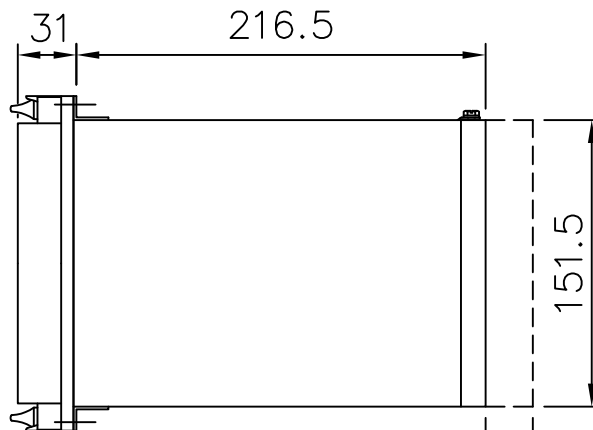


IF IN DOUBT ASK
DO NOT SCALE



PANEL CUT-OUT



**NOT SUBJECT TO UPDATE
ONCE COPIED / PRINTED
OR DOWNLOADED**

NOTE:
THE ø3.6 HOLES ARE FOR M4 THREAD FORMING (TRILOBULAR) SCREWS. THESE ARE SUPPLIED AS STANDARD AND ARE SUITABLE FOR USE IN FERROUS/ALUMINIUM PANELS 1.6mm THICK AND ABOVE. FOR OTHER PANELS, HOLES TO BE M4 CLEARANCE (TYPICALLY ø4.5) AND RELAYS MOUNTED USING M4 MACHINE SCREWS, NUTS AND LOCKWASHERS (SUPPLIED IN PANEL FIXING KIT).

DRAWING OFFICE ONLY NOTE

ANY CHANGE TO THIS DRG MUST BE REFLECTED ON DRG 2995X10017 & CATALOGUE

MATERIAL:

Copyright © 1999 Siemens Protection Devices Ltd. Hebburn

4 RDW	04/06/07	MN995/2883 (AL)
3 RDW	27/09/06	MN995/2462(WL/RDW)
2	30/07/01	MN995/2125
1	12/07/99	CHANGE
ISSUE	DATE	NOTED

Dimensions in millimetres : Surface texture in micrometres. Machine where marked ✓ For explanation of dimensions, tolerances, notes etc. see B.S.308. Limit on untoleranced unmachined dimensions ± _____ Limits on untoleranced machined dimensions to B.S.4500; i.e. up to 6±0.1; over 30 to 120±0.3; over 315±0.8; over 6 to 30±0.2; over 120 to 315±0.5; General unmachined angular tolerance ± _____	Finish:	Title: OVERALL DIMENSIONS AND PANEL DRILLING FOR EPSILON E8 CASE	First used on:
	Treatment:		SIEMENS PROTECTION DEVICES LTD.
DRAWN: A.LAW CHECKED: APPROVED:	DATE: I.E. OPS. PCP.	Original Scale: 1:4	EAC CE. STD. A4h