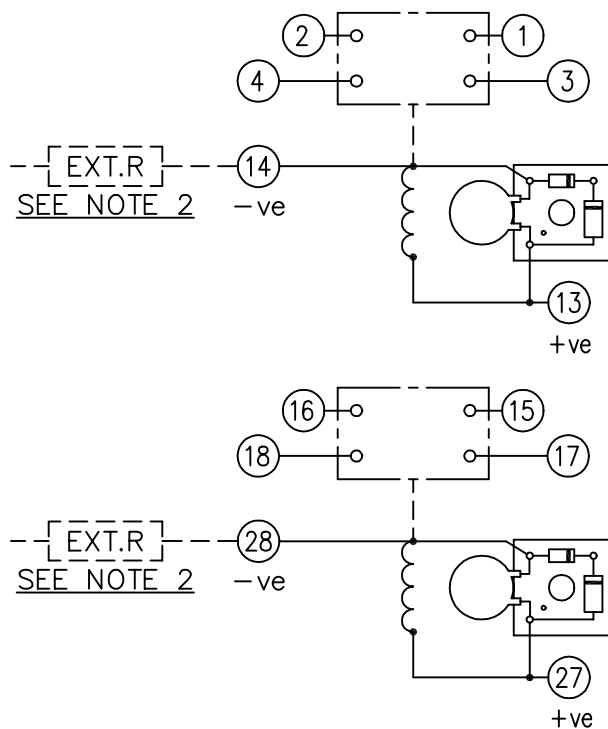


LOOKING ON FRONT OF RELAY



**NOT SUBJECT TO UPDATE
ONCE COPIED / PRINTED
OR DOWNLOADED**

KEY	CONTACT CONFIG.	OUTPUT CONTACT PAIR / TERMINAL No.						
⊖⊖	make contact	TOP →	1-3	2-4	5-7	6-8	9-11	10-12
⊖⊖	break contact	BOT. →	15-17	16-18	19-21	20-22	23-25	24-26
⊖⊖⊖	c/o contact	2M	M	M	/	/	/	/
⊖⊖	ext. conn	1M 1B	M	B	/	/	/	/
⊖⊖	plug bridge - shorting	2B	B	B	/	/	/	/
⊖⊖	metering point	2M(HD)	M+	M+	/	/	/	/
⊖⊖	5Kv barrier	1M 1B(HD)	M	+B	/	/	/	/
⊖⊖	test socket - shorting	1M(HD) 1B	M+	B	/	/	/	/
⊖⊖	plug & socket	1M(HD) 1B(HD)	M+	+B	/	/	/	/
		2B(HD)	+B	+B	/	/	/	/
		1M(HD) 1M	M+	M	/	/	/	/
		1B 1B(HD)	B	+B	/	/	/	/

NOTE:
 1. HEAVY DUTY CONTACTS ARE FITTED WITH BLOWOUT MAGNETS AND ARE POLARITY CONSCIOUS. SEE TABLE FOR +VE TERMINAL.
 2. 125V & 220/240 VERSIONS HAVE EXTERNAL RESISTORS FITTED IN THE COIL CIRCUITS.
 125V = 1K5 (Nom.) 18W.
 220/240V = 3K2 (Nom.) 18W.
 RESISTORS ARE SUPPLIED WITH THE RELAY

FRAME REFERENCE: E2FAQQ.

FRAME TERMINAL BLOCK ASSY: -

ASSEMBLY INSTRUCTIONS: -
 TYPICAL ASSEMBLY DRAWING 2995G10032.
 AT INDICATED POSITIONS FIT AS FOLLOWS:
 T - FIT TRIP ISOLATION CONTACT 2995B10053
 S - FIT STANDARD CONTACT 2995B10054
 SECURE CONTACTS USING FIXING SCREW 2109F99009.
 POSITIONS SHOWN BLANK ARE UNUSED

2	T	T	1
4	T	T	3
6			5
8			7
10			9
12			11
14	S	S	13
16	T	T	15
18	T	T	17
20			19
22			21
24			23
26			25
28	S	S	27

VIEW FROM NUMBERED SIDE OF BLOCK

OUTER TERMINAL BLOCK ASSY: -

ASSEMBLY INSTRUCTIONS: -
 TYPICAL ASSEMBLY DRAWING 2995G10029.
 AT INDICATED POSITIONS FIT AS FOLLOWS:
 S - FIT STANDARD CONTACT 2995B10051
 HC - FIT 'HEAVY CURRENT' KIT 2995G10030
 WHERE ⊖⊖ IS SHOWN FIT CT SHORTING KIT 2995G10031
 POSITIONS SHOWN BLANK ARE UNUSED.
 ALL POSITIONS FIT SCREW 2106F12506.

2	T	T	1
4	T	T	3
6			5
8			7
10			9
12			11
14	S	S	13
16	T	T	15
18	T	T	17
20			19
22			21
24			23
26			25
28	S	S	27

VIEW FROM INSIDE FACE

Copyright © 2001 VATECH REYROLLE ACP Ltd. Hebburn

			Title: WIRING DIAGRAM & TERMINAL BLOCK FOR XR205D RELAY IN EPSILON E2 CASE.		First used on:	
					Similar Articles:	
					Supersedes:	
2 RDW	29/9/03	MN112/2591	VATECH REYROLLE AUTOMATION, CONTROL & PROTECTION		Original Scale:	
1	22/06/01				Drg.No. 2112W50125	
ISSUE	DATE	MOD.No.				
DRAWN: A.L.A.W.		CHECKED:	APPROVED: R.D.WATSON	DATE: 17/07/02	IE:	OPS: