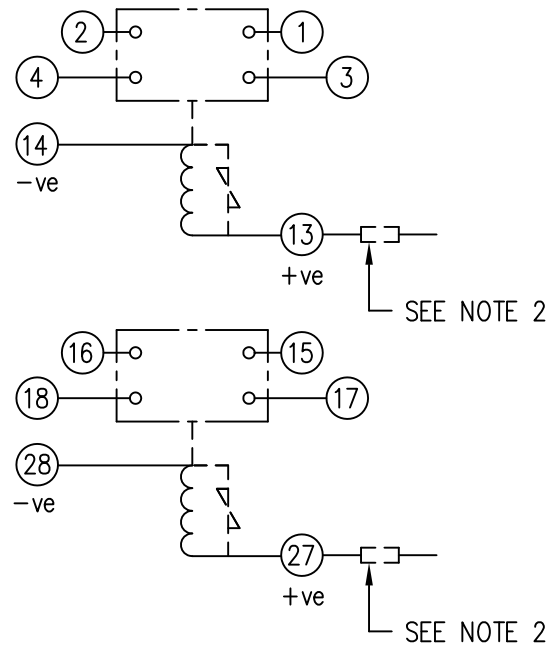


LOOKING ON FRONT OF RELAY



NOTE:

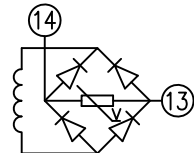
1. HEAVY DUTY CONTACTS ARE FITTED WITH BLOWOUT MAGNETS AND ARE POLARITY CONSCIOUS. SEE TABLE FOR +VE TERMINAL.
2. 125V VERSION HAS EXTERNAL RESISTOR FITTED.

KEY

- make contact
- break contact
- c/o contact
- ext. conn
- plug bridge - shorting
- metering point
- 5Kv barrier
- test socket - shorting
- plug & socket

CONTACT CONFIG.	OUTPUT CONTACT PAIR / TERMINAL No.					
TOP →	1-3	2-4	5-7	6-8	9-11	10-12
BOT. →	15-17	16-18	19-21	20-22	23-25	24-26
2M	M	M	/	/	/	/
2M(HD)	M+	M+	/	/	/	/
1M(STD) 1M(HD)	M+	M	/	/	/	/
1M 1B	M	B				
2B	B	B				

NOTE: WHEN RECTIFIER IS SPECIFIED COIL CONNS. ARE AS SHOWN.



FRAME REFERENCE: E2FAQQ.

FRAME TERMINAL BLOCK ASSY: -

ASSEMBLY INSTRUCTIONS: -

TYPICAL ASSEMBLY DRAWING 2995G10032.

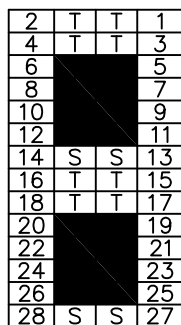
AT INDICATED POSITIONS FIT AS FOLLOWS:

T - FIT TRIP ISOLATION CONTACT 2995B10053

S - FIT STANDARD CONTACT 2995B10054

SECURE CONTACTS USING FIXING SCREW 2109F99009.

POSITIONS SHOWN BLANK ARE UNUSED



VIEW FROM NUMBERED SIDE OF BLOCK

OUTER TERMINAL BLOCK ASSY: -

ASSEMBLY INSTRUCTIONS: -

TYPICAL ASSEMBLY DRAWING 2995G10029.

AT INDICATED POSITIONS FIT AS FOLLOWS:

S - FIT STANDARD CONTACT 2995B10051

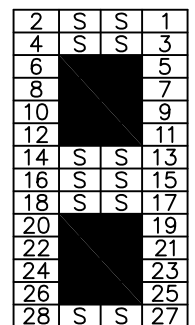
HC - FIT 'HEAVY CURRENT' KIT 2995G10030

WHERE IS SHOWN FIT CT SHORTING

KIT 2995G10031

POSITIONS SHOWN BLANK ARE UNUSED.

ALL POSITIONS FIT SCREW 2106F12506.



VIEW FROM INSIDE FACE

Copyright © 1998 VATECH REYROLLE ACP Ltd. Hebburn

			Title. T.B. AND W.D. FOR XR205 2 CONTACT RELAYS IN EPSILON E2 CASE.		First used on:		
4 RDW 06/05/10 MN112/3286					Similar Articles:		
3 RDW 02/01/03 MN112/2453					Supersedes:		
2 19/06/01 MN112/2103					Drg.No.		
1 29/04/99					2112W50105		
ISSUE	DATE	MOD.No.	VATECH REYROLLE				
AUTOMATION, CONTROL & PROTECTION			Original Scale.				
DRAWN:	A.LAW.	CHECKED:	A.LAW.	APPROVED:	RD.WATSON	DATE:	19/6/01
				IE:			
				OPS:			