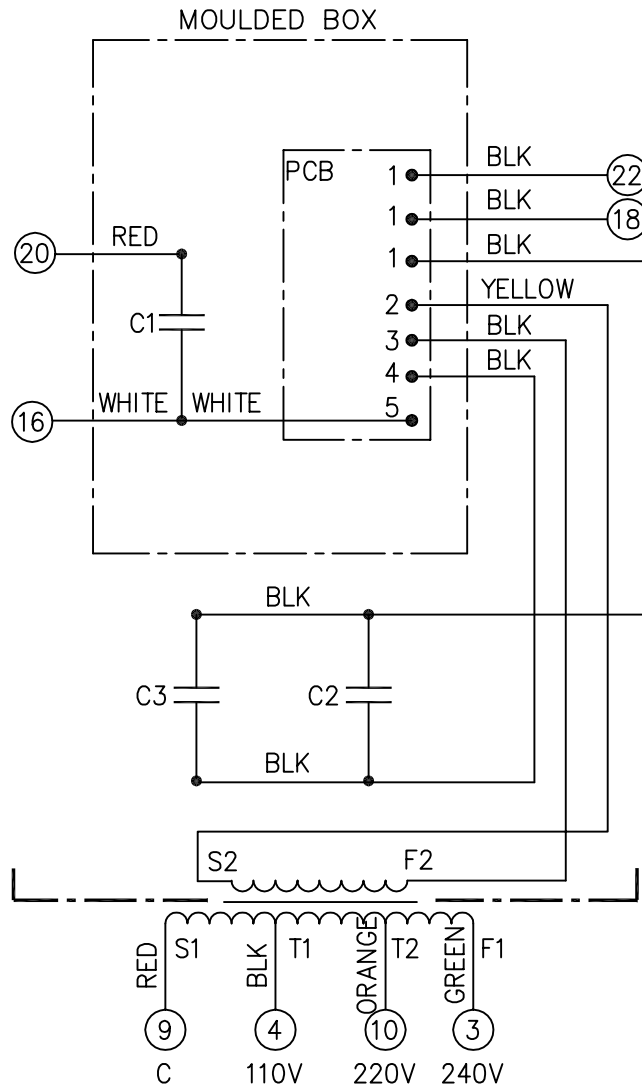


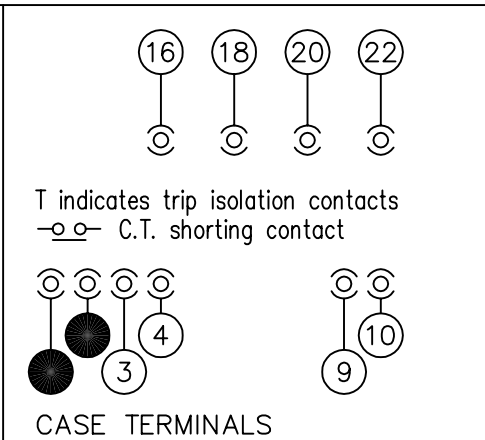
2659W10011



NOT SUBJECT TO UPDATE
ONCE COPIED / PRINTED
OR DOWNLOADED

- make contact
- break contact
- c/o contact
- metering point
- plug bridge - shorting
- ext. conn
- unused conn
- 15kV barrier
- test socket - shorting
- plug & socket

FOR FULL SCHEMATIC DIAGRAM
SEE 2659W10010.



			Title. WIRING DIAGRAM FOR PILOT SUPERVISION SEND END 1.1/2 VED.	First used on: Similar Articles: Supersedes:	
3	RDW	16/02/06	MN569/2783	Original Scale. : Drg.No. 2659W10011	
2		31/01/00	MN659/54		
ISSUE	DATE	MOD.No.	VA TECH Reyrolle AUTOMATION, CONTROL & PROTECTION		
DRAWN: A.LAW			CHECKED: M.MATHER	APPROVED: R.D.WATSON	DATE: 15/07/02
Copyright © 2000 VA TECH Reyrolle Ltd. Hebburn					