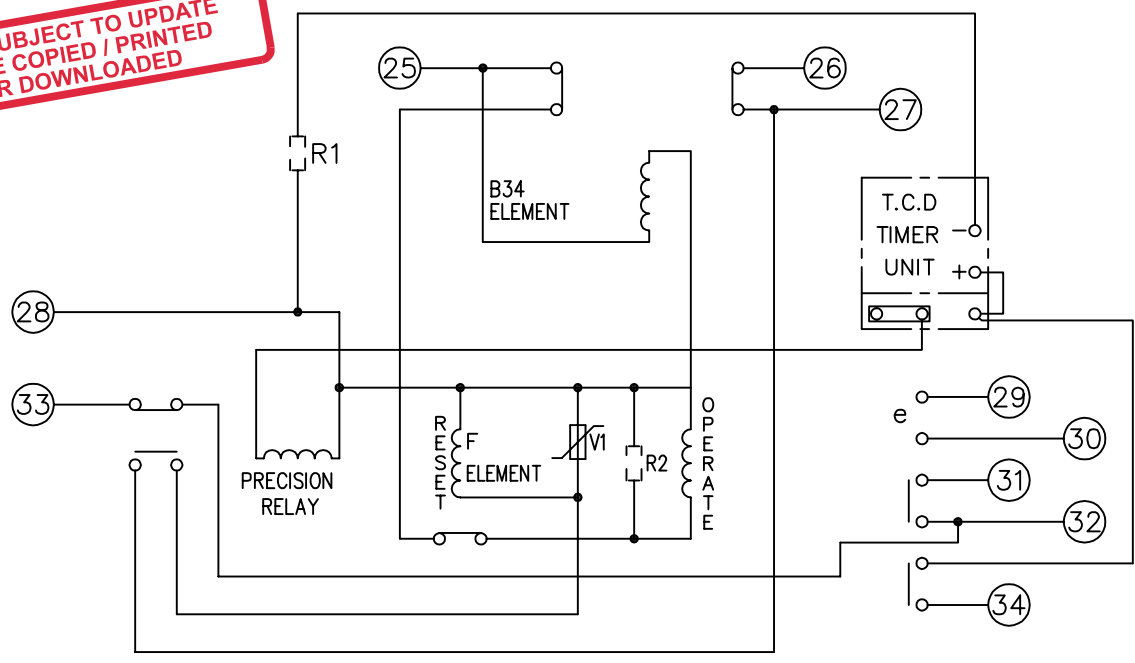
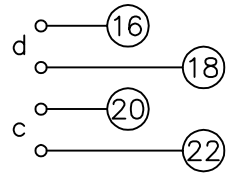
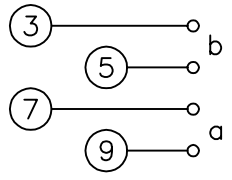


**NOT SUBJECT TO UPDATE
ONCE COPIED / PRINTED
OR DOWNLOADED**

410W1983

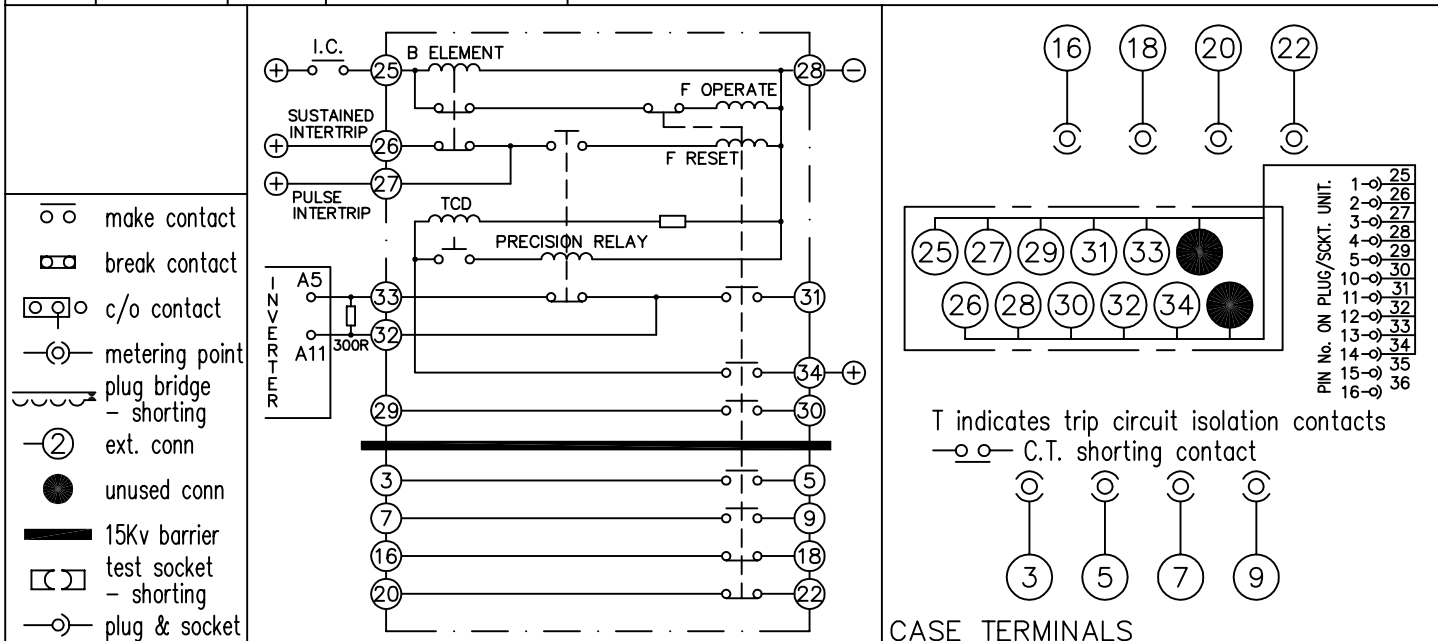


15KV INSULATION



| 250 | 3K | AW1603 | 4 X 12K PARALLEL |
|---------|---------------------|--------|-------------------------------|
| 220 | 2K5 | AW1603 | 4 X 10K PARALLEL |
| 125 | 1K5 | AW1603 | 2 X 3K0 PARALLEL |
| 50 | 390R | AW1603 | 390R 10FF |
| 30 | 82R | AW1603 | 82R 10FF |
| VOLTAGE | RESISTANCE R1 VALUE | TYPE | RESISTOR VALUE AND CONNECTION |

- NOTE:
- CONTACTS a,b,c,d & e MAY BE 'M' OR 'B' – FOR DETAILS SEE CUSTOMERS ORDER.
 - FOR 125V, RESISTOR R2 IS 1K.
 - PRECISION RELAY IS MOUNTED BEHIND THE ELEMENT BASE.



| | | | |
|--|----------------------|------------------------|--------------------------------|
| Title: WIRING DIAGRAM FOR 15KV TEC RELAY WITH 2 STAGE INTERTRIPPING (VEDETTE). | | | First used on: |
| Reyrolle Protection Hebburn. | | | Similar Articles: |
| Original Scale: | | | Supersedes: |
| Drg.No. 410W1983 | | | Copyright © 1994 Reyrolle Ltd. |
| 4 RDW 3 | 15/06/07 16/11/94 | MN750/2878 MN750/81 | Drg.No. |
| ISSUE 4 | DATE 16/11/94 | MOD.No. | Drg.No. |
| DRAWN: A.L.A.W. | CHECKED: | APPROVED: R.D.WATSON | DATE: 25/07/02 |