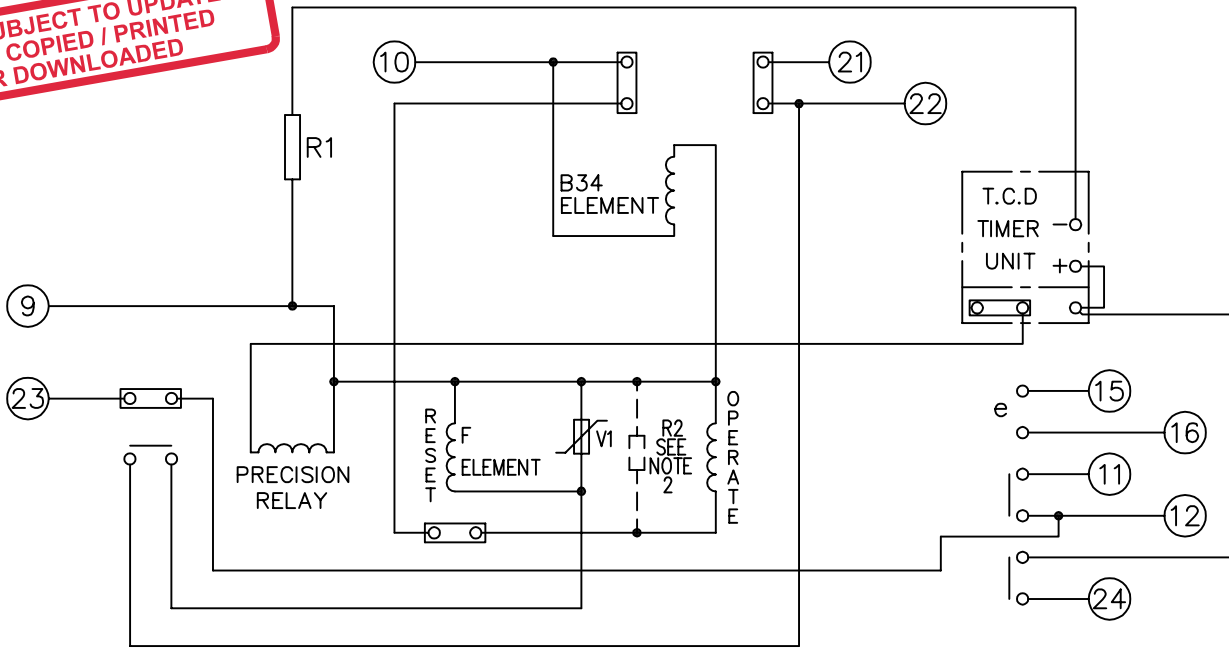
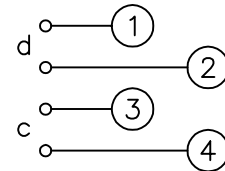
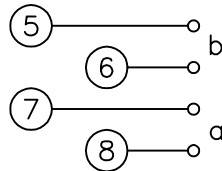


NOT SUBJECT TO UPDATE
ONCE COPIED / PRINTED
OR DOWNLOADED

410W1982



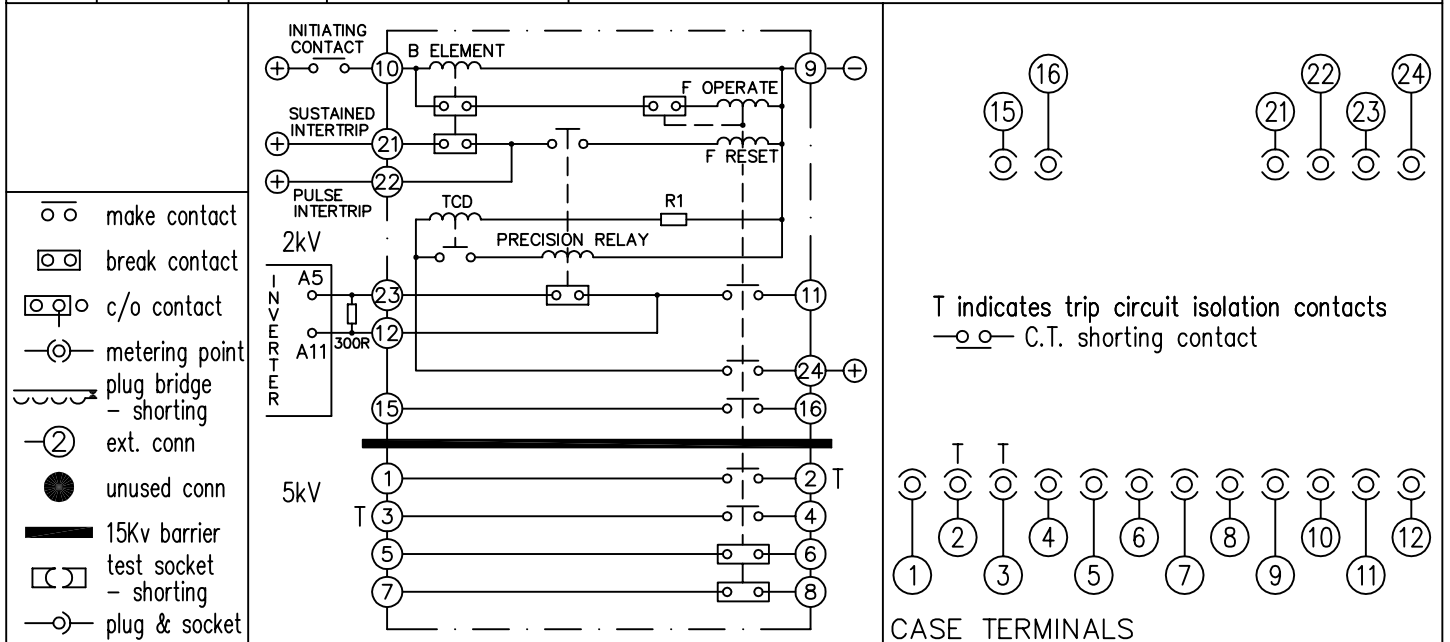
5KV INSULATION



250	3K	AW1603	4 X 12K PARALLEL
220	2K5	AW1603	4 X 10K PARALLEL
125	1K5	AW3214	2 X 3K0 PARALLEL
50	390R	AW1603	390R 10FF
30	82R	AW1603	82R 10FF
VOLTAGE	RESISTANCE R1 VALUE	TYPE	RESISTOR VALUE AND CONNECTION

NOTE:

- CONTACTS a,b,c,d & e MAY BE 'M' OR 'B' - FOR DETAILS SEE CUSTOMERS ORDER.
- FOR 125V, RESISTOR R2 IS 1K.
- PRECISION RELAY IS MOUNTED BEHIND THE ELEMENT BASE.



3 RDW	15/06/07	MN750/2878
2	15/1/03	MN112/2459
ISSUE	DATE	MOD.No.

Title:
WIRING DIAGRAM FOR 5KV TEC RELAY WITH 2 STAGE INTERTRIPPING (VEDETTE).

Reyrolle Protection Hebburn.

First used on:
Similar Articles:
Supersedes: REV 1 DATED 30/6/87
Drg.No.
410W1982