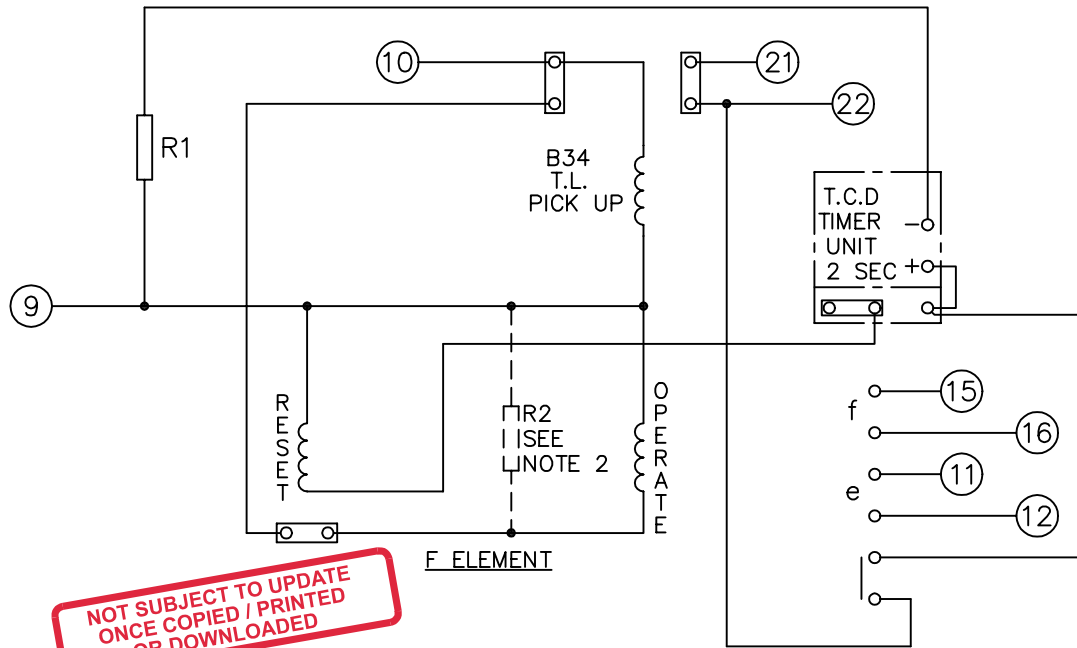
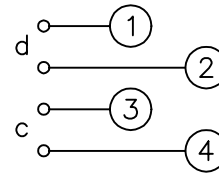
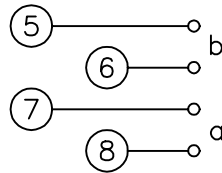


410W1912Y



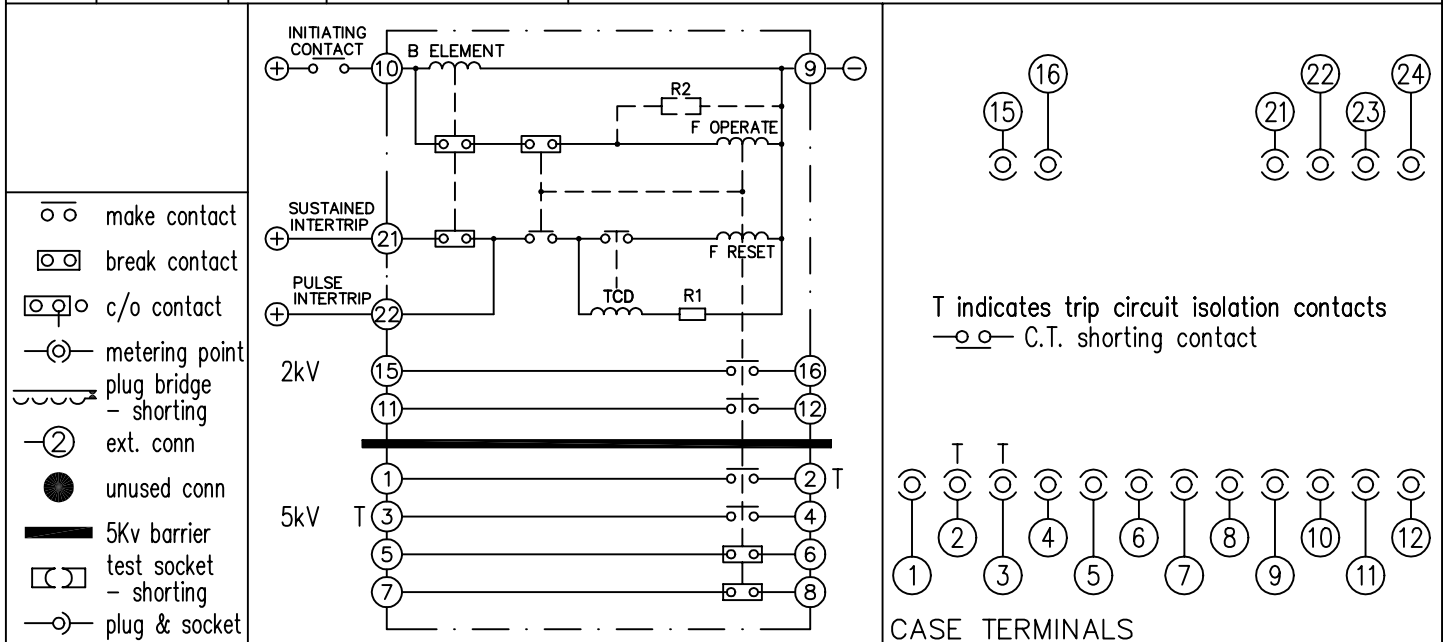
5KV INSULATION



VOLTAGE	RESISTANCE R1 VALUE	TYPE	RESISTOR VALUE AND CONNECTION
250	3K	AW1603	4 X 12K PARALLEL
220	2K5	AW1603	4 X 10K PARALLEL
125	1K5	AW3124	2 X 3K0 PARALLEL
50	390R	AW1603	390R 10FF
30	82R	AW1603	82R 10FF

NOTE:

- CONTACTS a,b,c,d e & f MAY BE 'M' OR 'B' - FOR DETAILS SEE CUSTOMERS ORDER.
- ONLY FITTED ON 125V RELAYS, RESISTOR R2 IS 1K.



- ○ make contact
- ◻ ◻ break contact
- ◻ ◻ c/o contact
- metering point
- plug bridge - shorting
- ②— ext. conn
- unused conn
- 5kV barrier
- ◻ test socket - shorting
- plug & socket

T indicates trip circuit isolation contacts
 —○— C.T. shorting contact

CASE TERMINALS

			Title. WIRING DIAGRAM FOR 5KV TEC RELAY IN VEDETTE CASE.		First used on:	
					Similar Articles:	
					Supersedes: Rev1 Dated 3/10/86	
2 RDW 14/1/03 ISSUE DATE MOD.No.			CAD REDRAW - NO MODS. MN112/2459		Original Scale. Drg.No. 410W1912Y	
DRAWN: RDW		CHECKED: A.LAW.		APPROVED: R.D.WATSON		DATE: 25/07/02
						Copyright © 1994 Reyrolle Ltd.