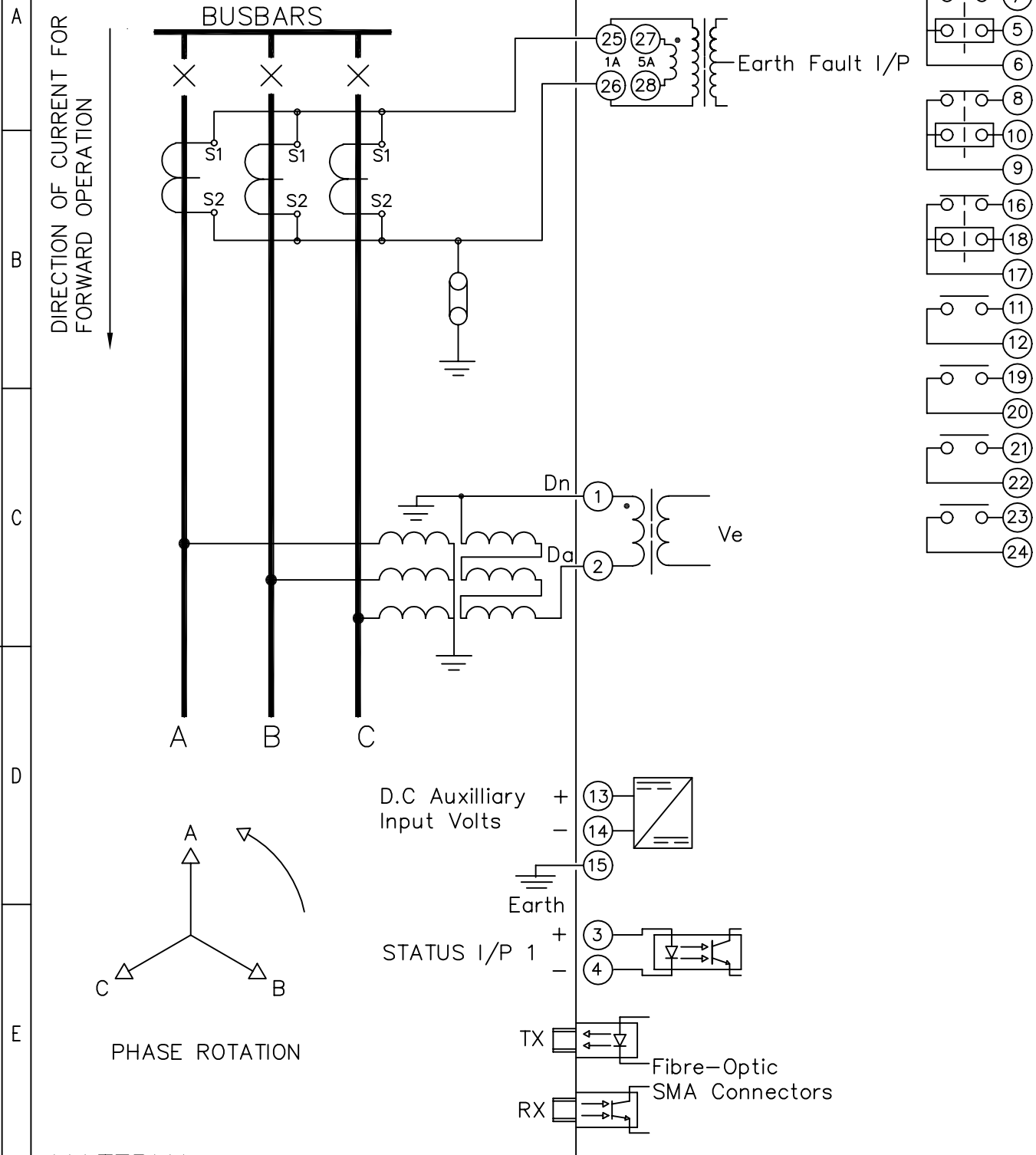


IF IN DOUBT ASK
DO NOT SCALE

DCD21x A R4 Case Size

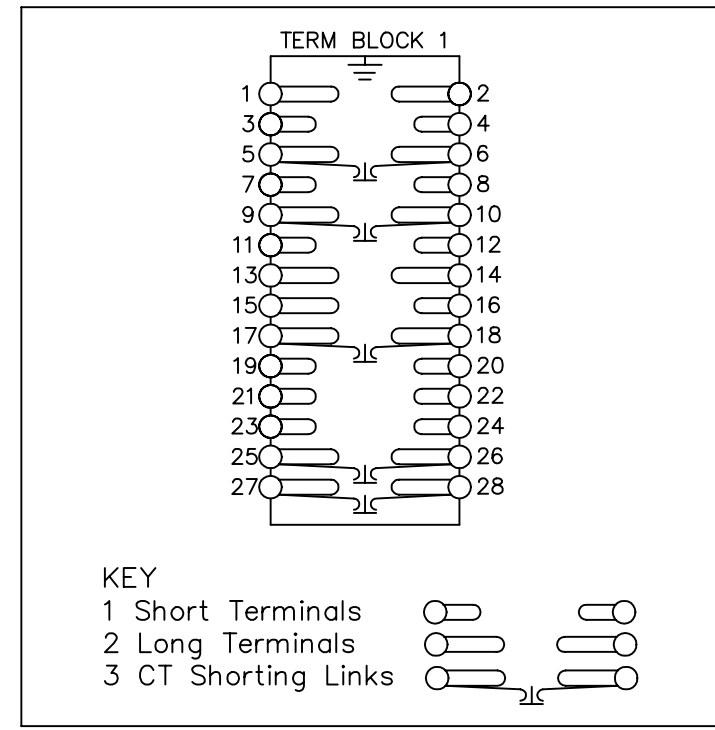


NOTES

- 1 CT CIRCUITS ARE SHOWN CONNECTED TO RELAY 1 AMP TAP. USE ALTERNATIVE TAP FOR 5AMP RATED CTs.
- 2 CT & EARTH CONNECTIONS ARE TYPICAL ONLY.
- 3 FOR TERMINAL DIAGRAM SEE 2434W20004 (A2)

NOT SUBJECT TO UPDATE
ONCE COPIED / PRINTED
OR DOWNLOADED

TERMINAL BLOCKS VIEWED FROM REAR



MATERIAL:

Dimensions in millimetres : Surface texture in micrometres.
Machine where marked ✓
For explanation of dimensions, tolerances, notes etc. see B.S.308.
Limit on untoleranced unmachined dimensions ± _____
Limits on untoleranced machined dimensions to B.S.4500;
i.e. up to 6±0.1; over 30 to 120±0.3; over 315±0.8;
over 6 to 30±0.2; over 120 to 315±0.5;
General unmachined angular tolerance ± _____

Finish: _____
Treatment: _____

Title: TYPICAL SCHEMATIC DIAGRAM SINGLE POLE DIRECTIONAL E/F DCD RELAY
Reyrolle Protection Hebburn.

First used on: _____
Similar Articles: _____
Supersedes: _____
Original Scale: NTS
Drg. No. 2434W10020

| | | | | | | | | | | | |
|---------------|---------|---------------------|---------------|----|-----|-----|----------------|-----|----|-----|----|
| DRAWN M LEASK | CHECKED | APPROVED R.D.WATSON | DATE 23/07/02 | IE | OPS | PCP | Purch.Spec. TQ | EAC | CE | STD | A3 |
|---------------|---------|---------------------|---------------|----|-----|-----|----------------|-----|----|-----|----|

| | | |
|---|----------|--------------|
| 2 | 20/10/97 | MN434/103 |
| 1 | 10/2/97 | CHANGE NOTED |

Copyright © Reyrolle Ltd.