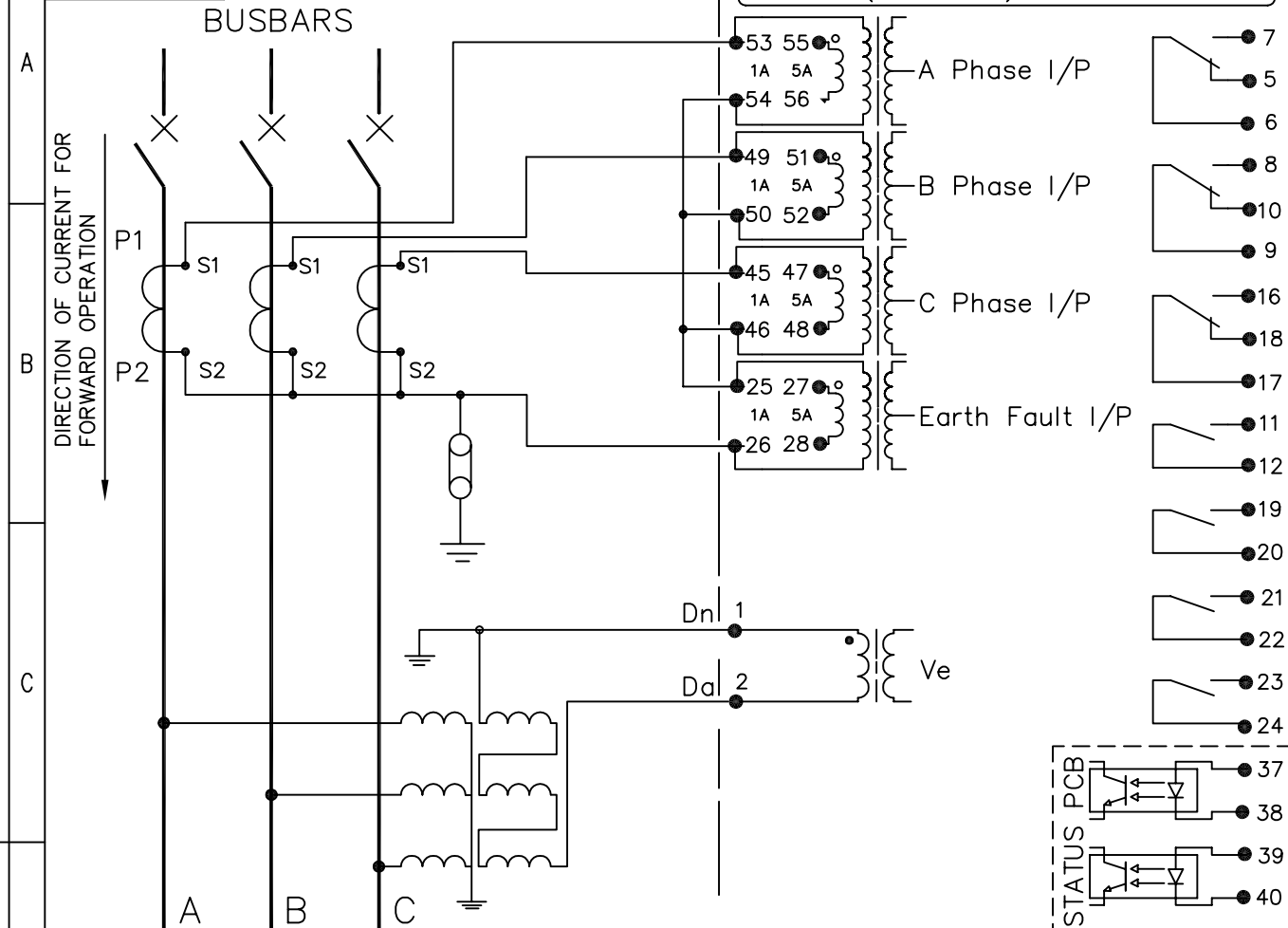
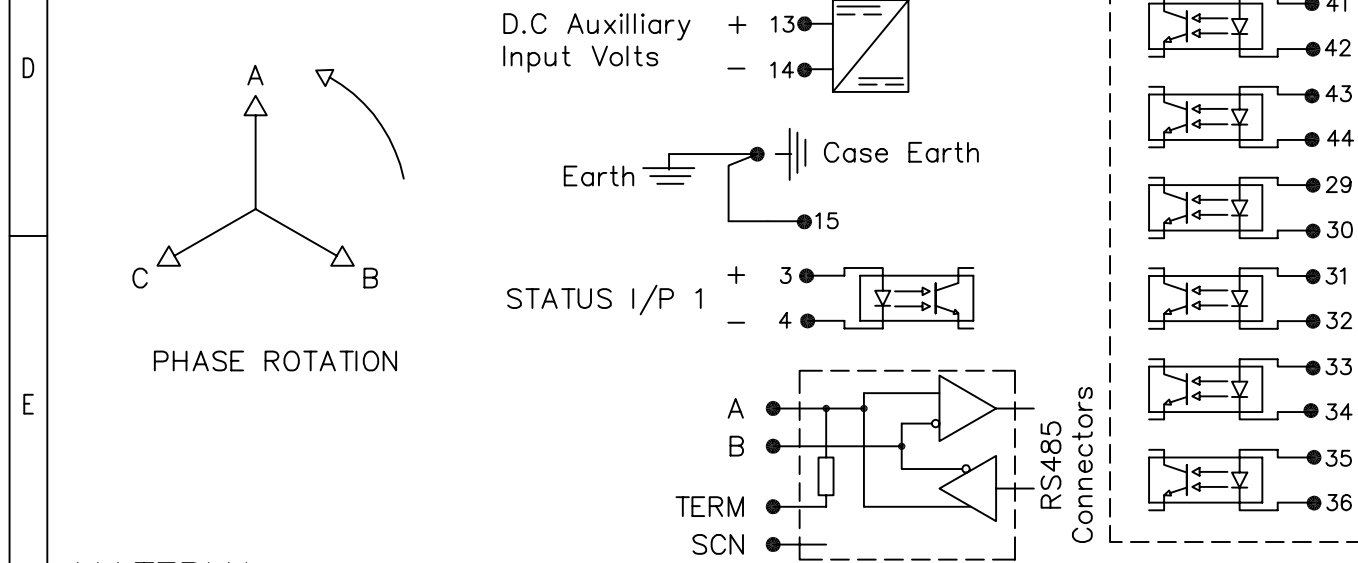
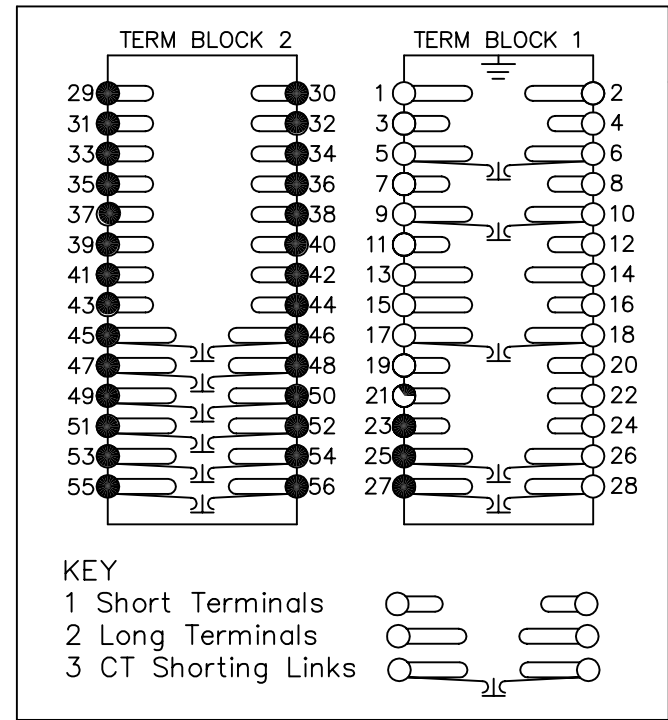


IF IN DOUBT ASK
DO NOT SCALE



TERMINAL BLOCKS VIEWED FROM REAR



**FOR INFORMATION ONLY
UNCONTROLLED COPY
NOT SUBJECT TO UPDATE**

- NOTES**
- 1 CT CIRCUITS ARE SHOWN CONNECTED TO RELAY 1 AMP TAP. USE ALTERNATIVE TAP FOR 5AMP RATED CTs.
 - 2 CT & EARTH CONNECTIONS ARE TYPICAL ONLY.
 - 3 FOR TERMINAL DIAGRAM SEE 2716W50003 (A2)
 - 4 THIS DIAGRAM IS USED FOR BOTH ARGUS 5 & 6.

MATERIAL:

Dimensions in millimetres : Surface texture in micrometres.
Machine where marked ✓
For explanation of dimensions, tolerances, notes etc. see B.S.308.
Limit on untoleranced unmachined dimensions ± _____
Limits on untoleranced machined dimensions to B.S.4500;
i.e. up to 6±0.1; over 30 to 120±0.3; over 315±0.8;
over 6 to 30±0.2; over 120 to 315±0.5;
General unmachined angular tolerance ± _____

Finish: _____
Treatment: _____

Title: TYPICAL SCHEMATIC DIAGRAM 3 PHASE & DIR E/F RS485 NUMERIC OVERCURRENT PROTECTION (ARGUS 5&6) EPSILON

Reyrolle Protection Hebburn.

Original Scale: NTS

First used on: _____
Similar Articles: 2716W10012
Supersedes: _____
Drg. No. 2716W10016

Copyright © 2005 Reyrolle Ltd.

1	04/11/05	CHANGE NOTED
ISSUE	DATE	NOTED