

IF IN DOUBT ASK
DO NOT SCALE

NOTES

1) TERMINALS RECOMMENDED ARE PRE-INSULATED & MUST BE CRIMPED USING APPROVED TOOLING. AMP PIDG OR PLASTI GRIP FUNNEL ENTRY (RING TONGUE) FOR M4 FIXING STUD.

SUPPLIER	PART NUMBER	CABLE SIZE
AMP	342103	0.25-1.6mm ²
AMP	342143	1.0-2.6mm ²

OR ANY OTHER MANUFACTURERS EQUIVALENT TERMINAL.

2) FOR OUTLINE & PANEL DRILLING, SEE 2995X10010 (A4).

3) CONNECTIONS TO THIS COMMUNICATIONS FACILITY IS BY SCREENED, TWISTED PAIR CABLE, ON SITE. WHEN WIRING OTHER FACILITIES ENSURE THAT THESE TERMINALS ARE NOT OBSCURED BY OTHER WIRE RUNS.

4) CONTACTS SHOWN THUS ARE INTERNAL RELAY CASE ASSEMBLY CONTACTS AND CLOSE WHEN THE RELAY CHASSIS IS WITHDRAWN FROM THE CASE.

5) FOR THE 'R' MODE SOLKOR, FIT EXTERNAL LINK E18 TO E20.

6) FOR R & Rf MODE FIT AN EXTERNAL LINK TO E24, E26 & E28, .

7) FOR THE RELAY CASE ASSEMBLY SEE 2651GG59004

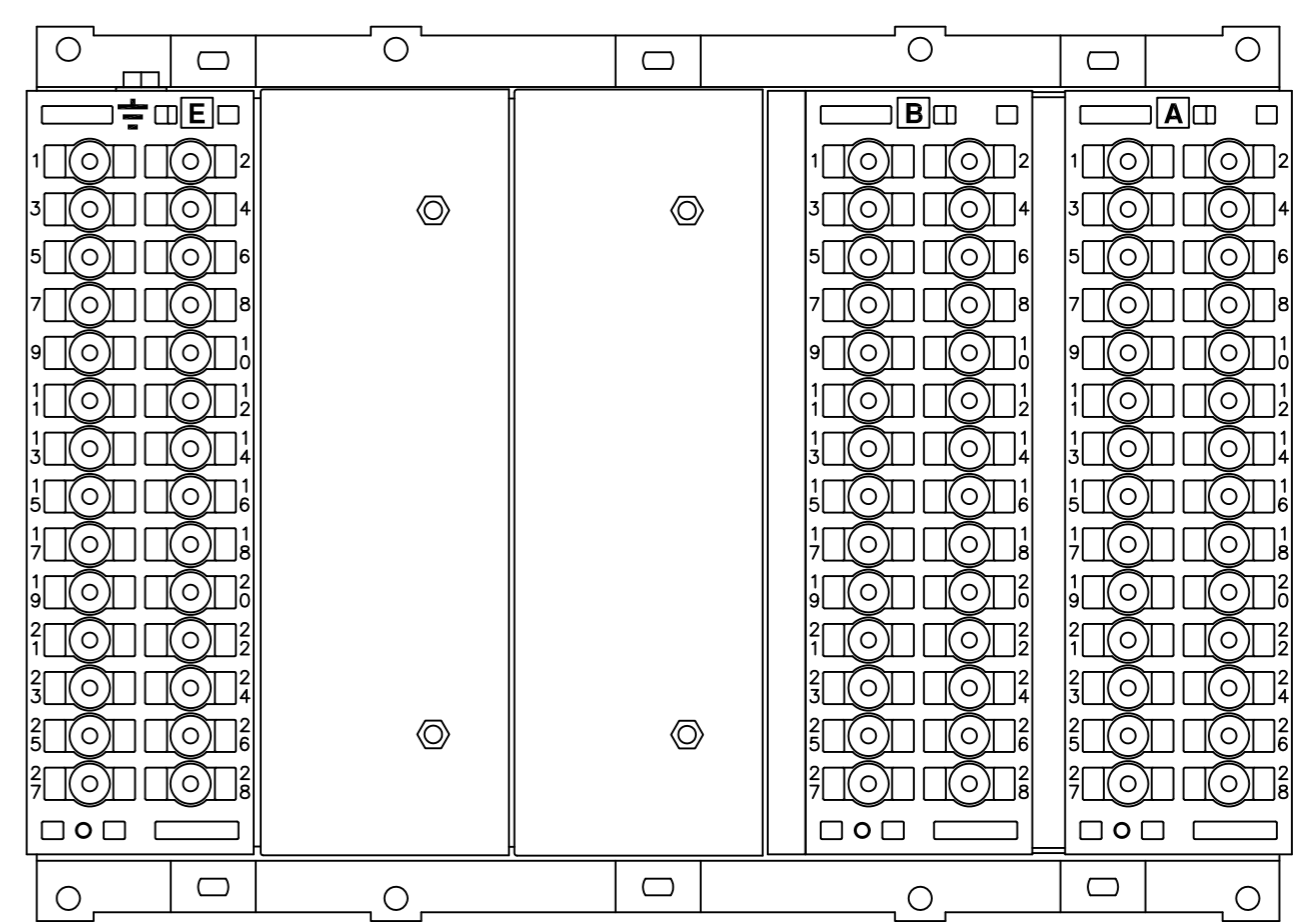
COMPULSORY ON SITE WIRING
(CABLE 50/0.025, 2.5mm² FERRULES TO SUIT ON SITE REQUIREMENT)

TERMINAL BLOCK 'E'	TERMINAL BLOCK 'B'	TERMINAL BLOCK 'A'
6	22	
8	2	
23		14
24		25
25		18
27		22

TABLE 1

TERMINAL BLOCK 'E'	TERMINAL BLOCK 'B'	TERMINAL BLOCK 'A'
6	22	
8	2	
23		16
24		27
25		20
27		24

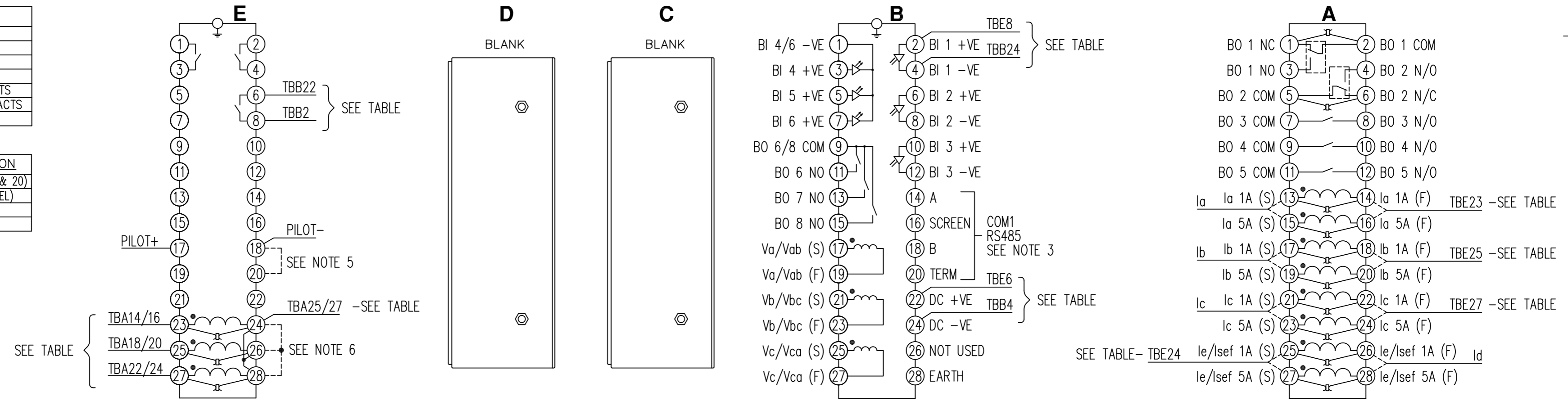
TABLE 2



RELAY VIEWED FROM REAR

I	CURRENT INPUTS
BI	BINARY INPUTS
BO	BINARY OUTPUTS
CO	CHANGE OVER BINARY OUTPUT CONTACTS
NO	NORMALLY OPEN BINARY OUTPUT CONTACTS
NC	NORMALLY CLOSED BINARY OUTPUT CONTACTS

COM1	RS485 (ON BLOCK 'B' TERMINALS 14,16,18 & 20)
COM2	USB TYPE 'B' PORT (ON RELAY FRONT LABEL)



THE WIRING TO TBE 23,24,25 & 27 IS DIFFERENT FOR 1A & 5A SOLKORS - SEE TABLE 1 & TABLE 2.

**NOT SUBJECT TO UPDATE
ONCE COPIED / PRINTED
OR DOWNLOADED**

MATERIAL:

Dimensions in millimetres ; Surface texture in micrometres.
Machine where marked ✓
For explanation of dimensions, tolerances, notes etc. see B.S.308.
Limit on untoleranced unmachined dimensions ± _____
Limits on untoleranced machined dimensions to B.S.4500;
i.e. up to 6±0.1; over 30 to 120±0.3; over 315±0.8;
over 6 to 30±0.2; over 120 to 315±0.5;
General unmachined angular tolerance ± _____

Finish: _____
Treatment: _____

Title: TERMINAL ID + FACILITIES & SITE WIRING FOR 7PG2116
4CT+3VT+6BI+(8+3)BO
SIEMENS PROTECTION DEVICES LTD.

First used on: _____
Similar Articles: _____
Supersedes: _____
Original Scale: _____
Drg. No. **2651W59009**

Copyright © 2010 Siemens Protection Devices Ltd. Hebburn

DRAWN	AL/KB	CHECKED	RD.WATSON	APPROVED	RD.WATSON	DATE	30/06/2010	IE	OPS	PCP	Purch.Spec.	TQ	EAC	CE	STD	A2
-------	-------	---------	-----------	----------	-----------	------	------------	----	-----	-----	-------------	----	-----	----	-----	----