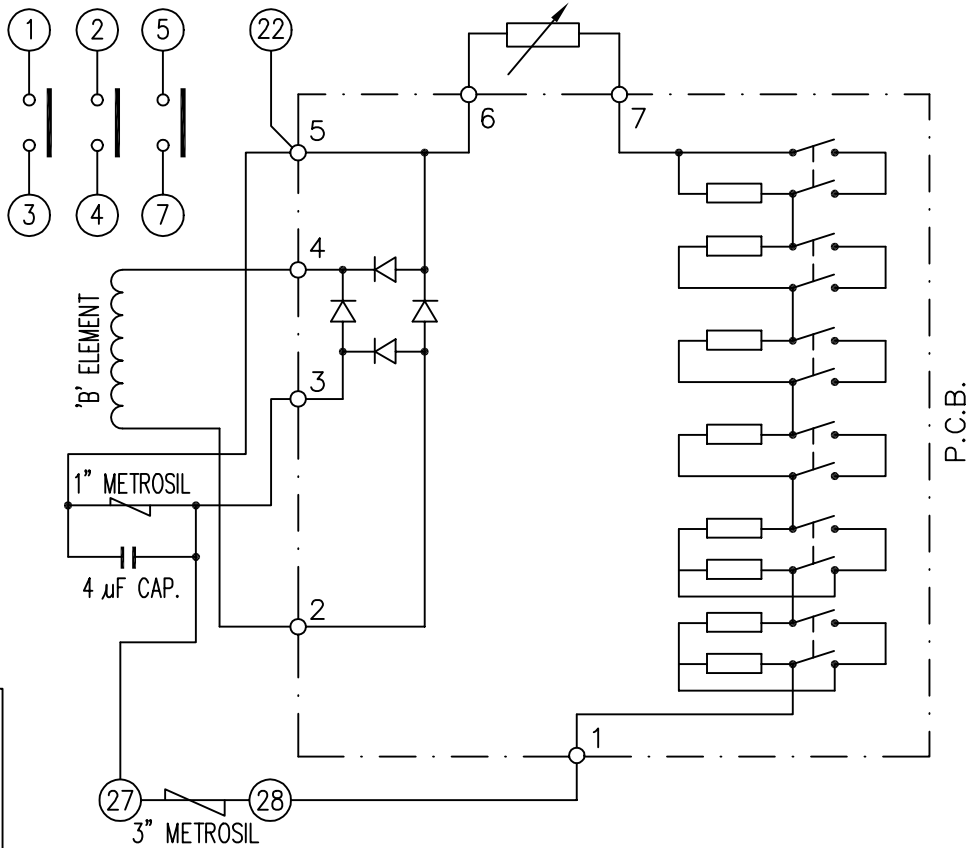


LOOKING ON FRONT OF RELAY



- KEY**
- ○ make contact
 - □ break contact
 - ○ c/o contact
 - ② ext. conn
 - ⌋ plug bridge - shorting
 - ⊖ metering point
 - 5Kv barrier
 - test socket - shorting
 - ⊖ plug & socket

NOT SUBJECT TO UPDATE
ONCE COPIED / PRINTED
OR DOWNLOADED

FRAME REFERENCE E3FAMM
FRAME TERMINAL BLOCK ASSY: -

ASSEMBLY INSTRUCTIONS: -
TYPICAL ASSEMBLY DRAWING 2995G10032.
AT INDICATED POSITIONS FIT AS FOLLOWS,
T - FIT TRIP ISOLATION CONTACT 2995B10053.
S - FIT STANDARD CONTACT 2995B10054.
SECURE CONTACTS USING FIXING SCREW
2109F99009.
POSITIONS SHOWN BLANK ARE UNUSED.

2	T	T	1
4	T	T	3
6		T	5
8		T	7
10			9
12			11
14			13
16			15
18			17
20			19
22	S		21
24			23
26			25
28	S	S	27

VIEW FROM NUMBERED
SIDE OF BLOCK

OUTER TERMINAL BLOCK ASSY: -

ASSEMBLY INSTRUCTIONS: -
TYPICAL ASSEMBLY DRAWING 2995G10029.
AT INDICATED POSITIONS FIT AS FOLLOWS,
S - FIT STANDARD CONTACT 2995B10051
HC - FIT 'HEAVY CURRENT' KIT 2995G10030.
WHERE ⊖ ○ IS SHOWN FIT CT SHORTING
KIT 2995G10031
POSITIONS SHOWN BLANK ARE UNUSED
ALL POSITIONS FIT SCREW 2106F12506

2	S	S	1
4	S	S	3
6		S	5
8		S	7
10			9
12			11
14			13
16			15
18			17
20			19
22	S		21
24			23
26			25
28	⊖ ○		27

VIEW FROM INSIDE
FACE

1	6/4/99	MOD.No.	Title. T. B. AND WIRING DIAGRAM FOR 5B3 RELAY IN EPSILON E3 CASE.		First used on:
			<div style="font-size: 2em; font-weight: bold; margin-bottom: 10px;">Reyrolle Protection Hebburn.</div> <div style="font-size: 1.5em; font-weight: bold; margin-bottom: 10px;">2320W50010</div>		Similar Articles:
		Supersedes:			
				Original Scale.	Drg.No.
				2320W50010	
DRAWN: S.REEVES		CHECKED:	APPROVED: R.D.WATSON	DATE: 19/07/02	Copyright © 1999 Reyrolle Ltd.