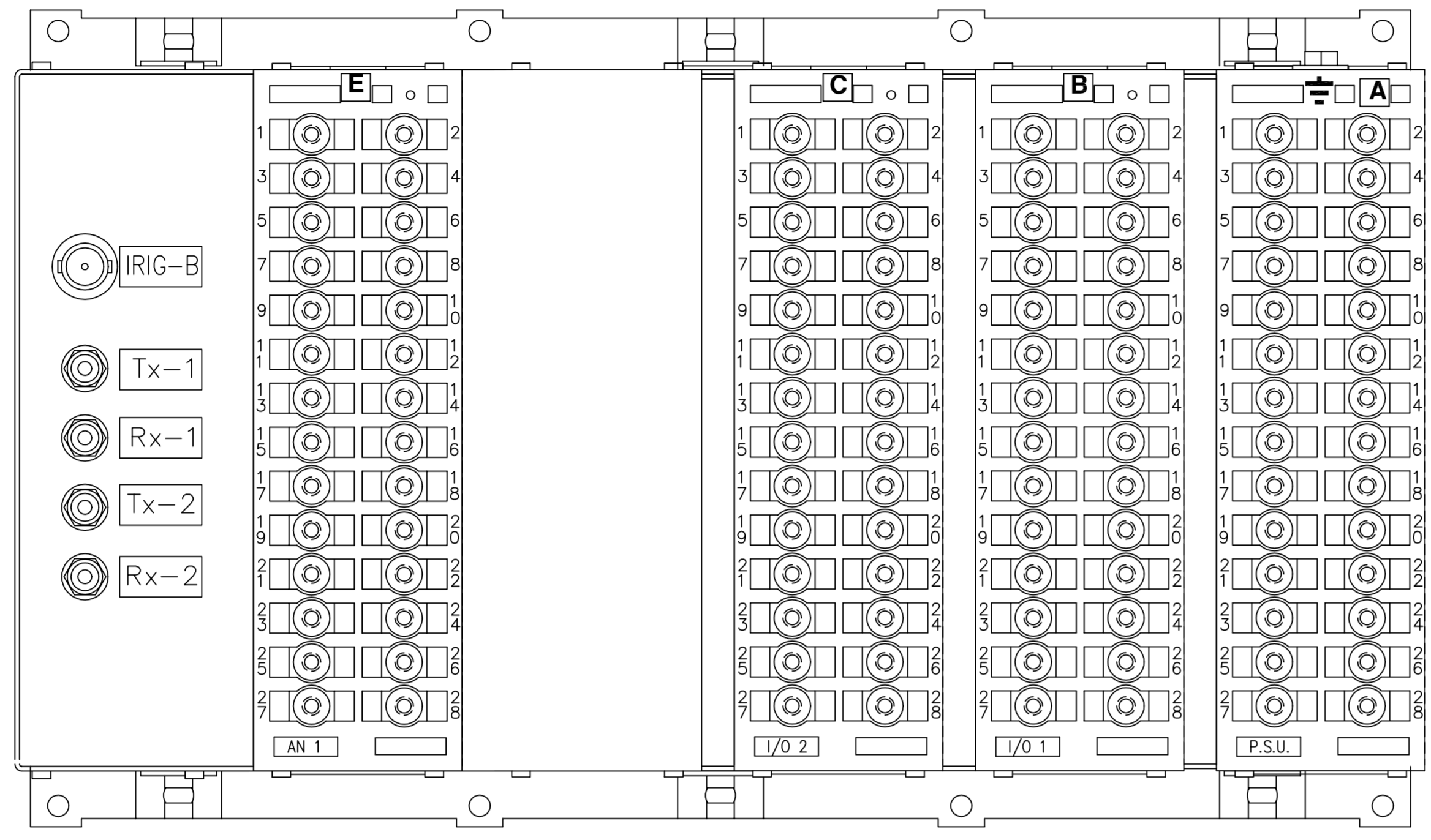
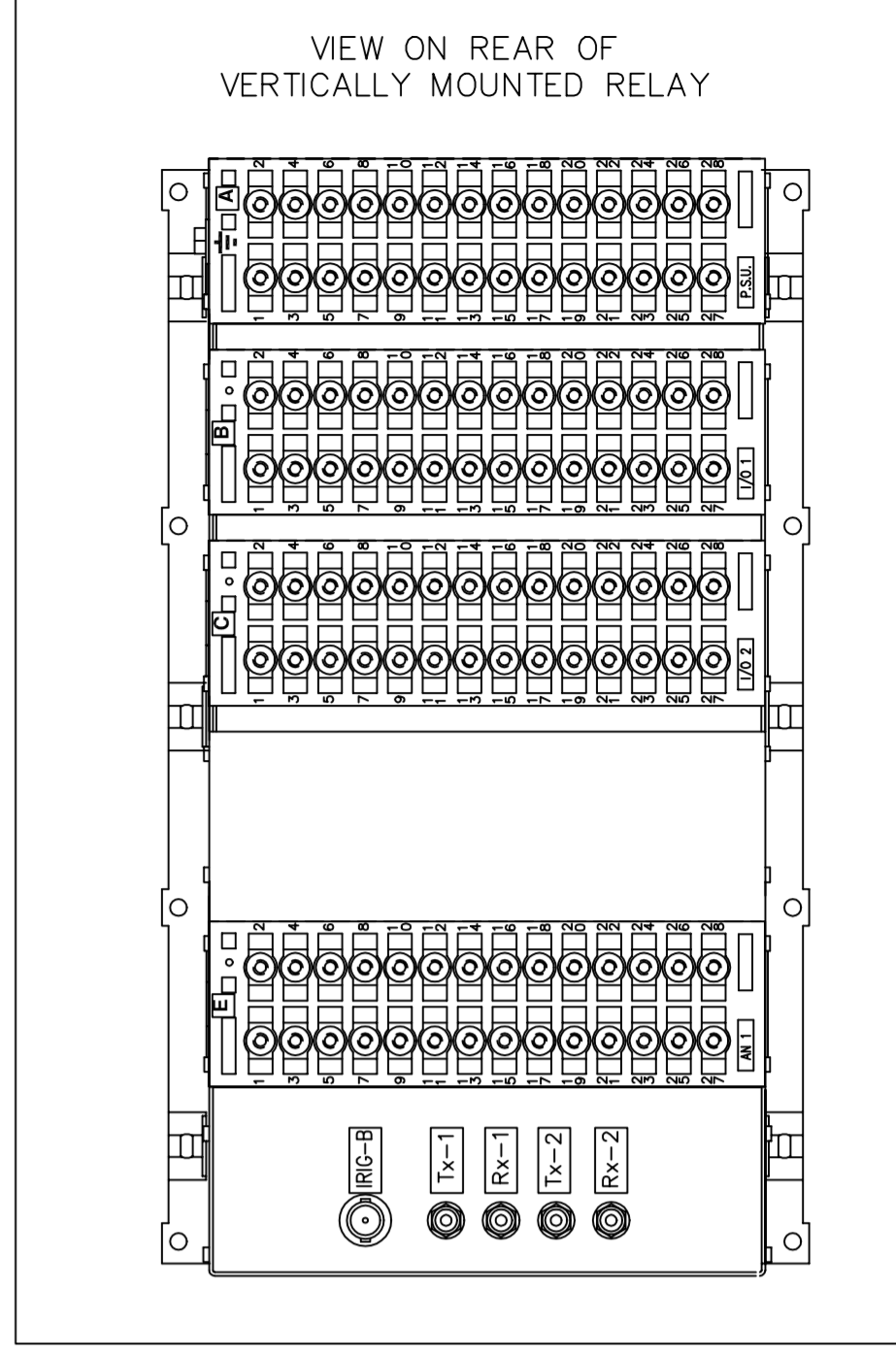


IF IN DOUBT ASK  
DO NOT SCALE



RELAY VIEWED FROM REAR



VIEW ON REAR OF  
VERTICALLY MOUNTED RELAY

NOTES

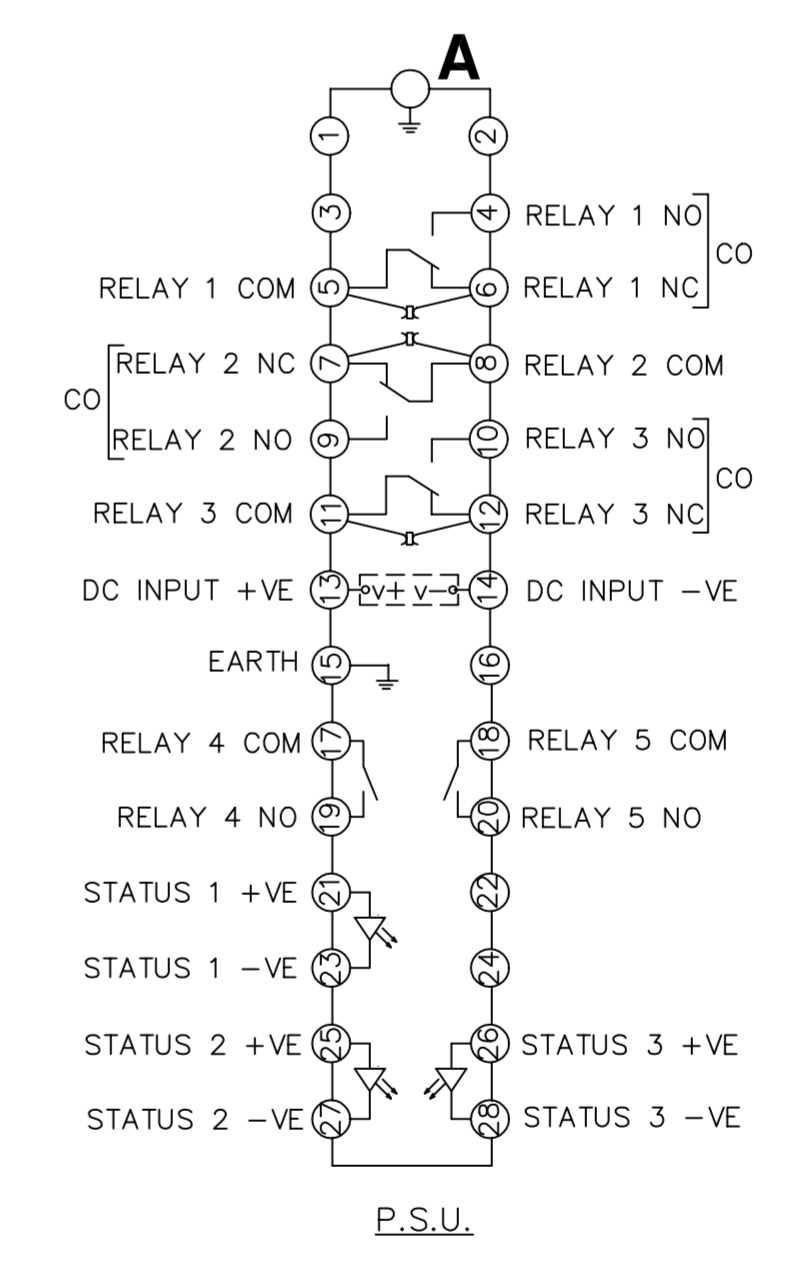
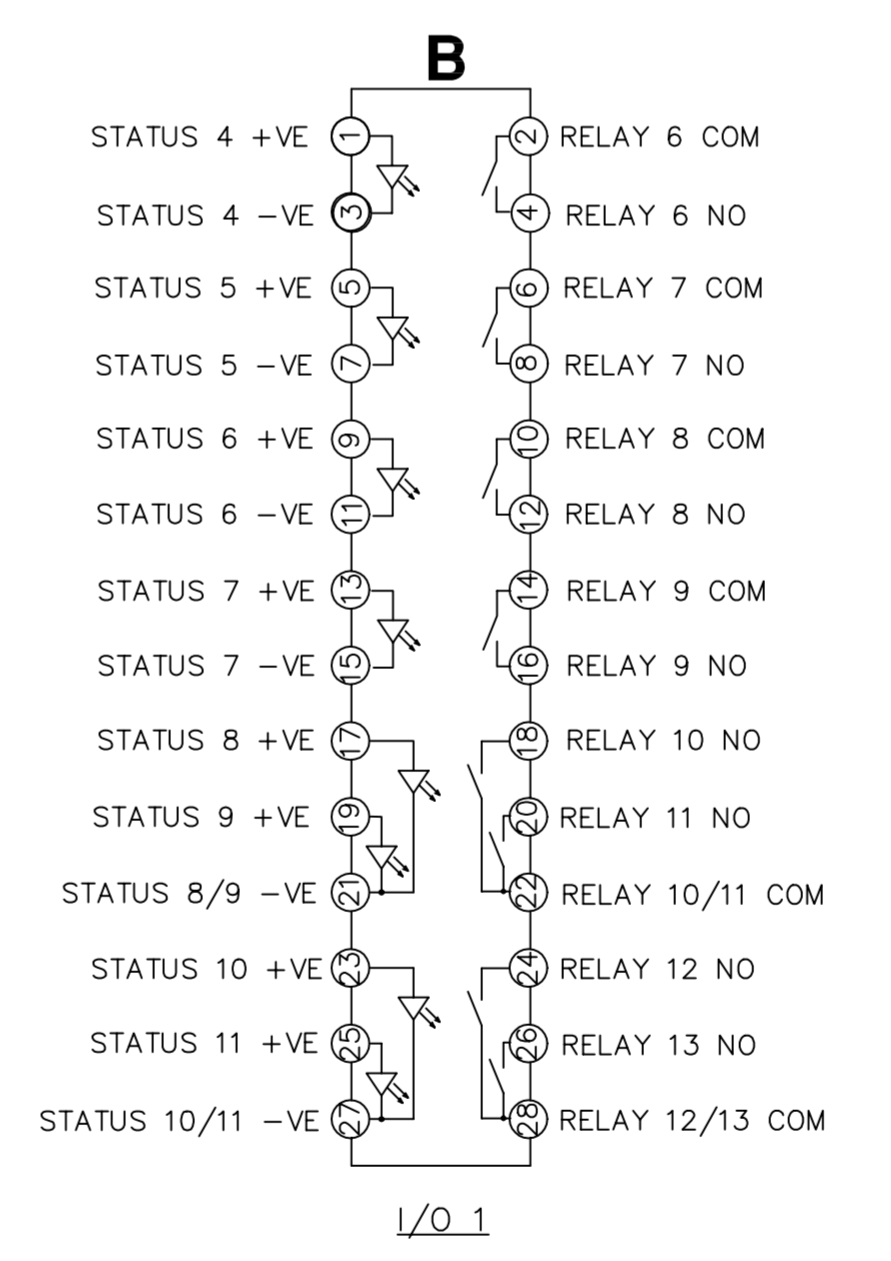
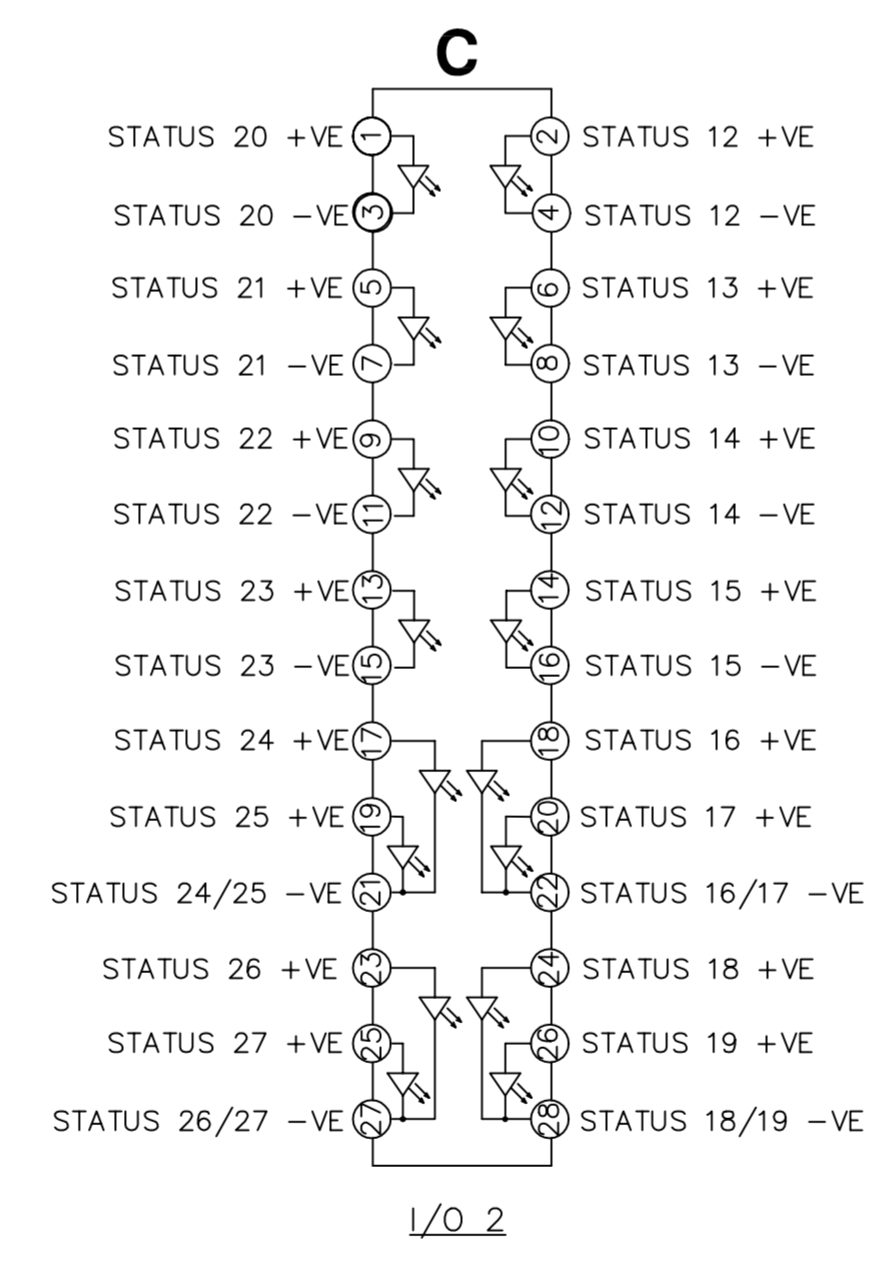
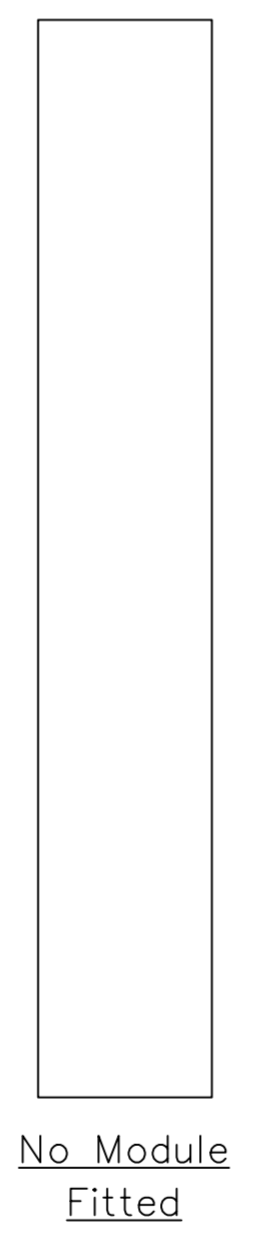
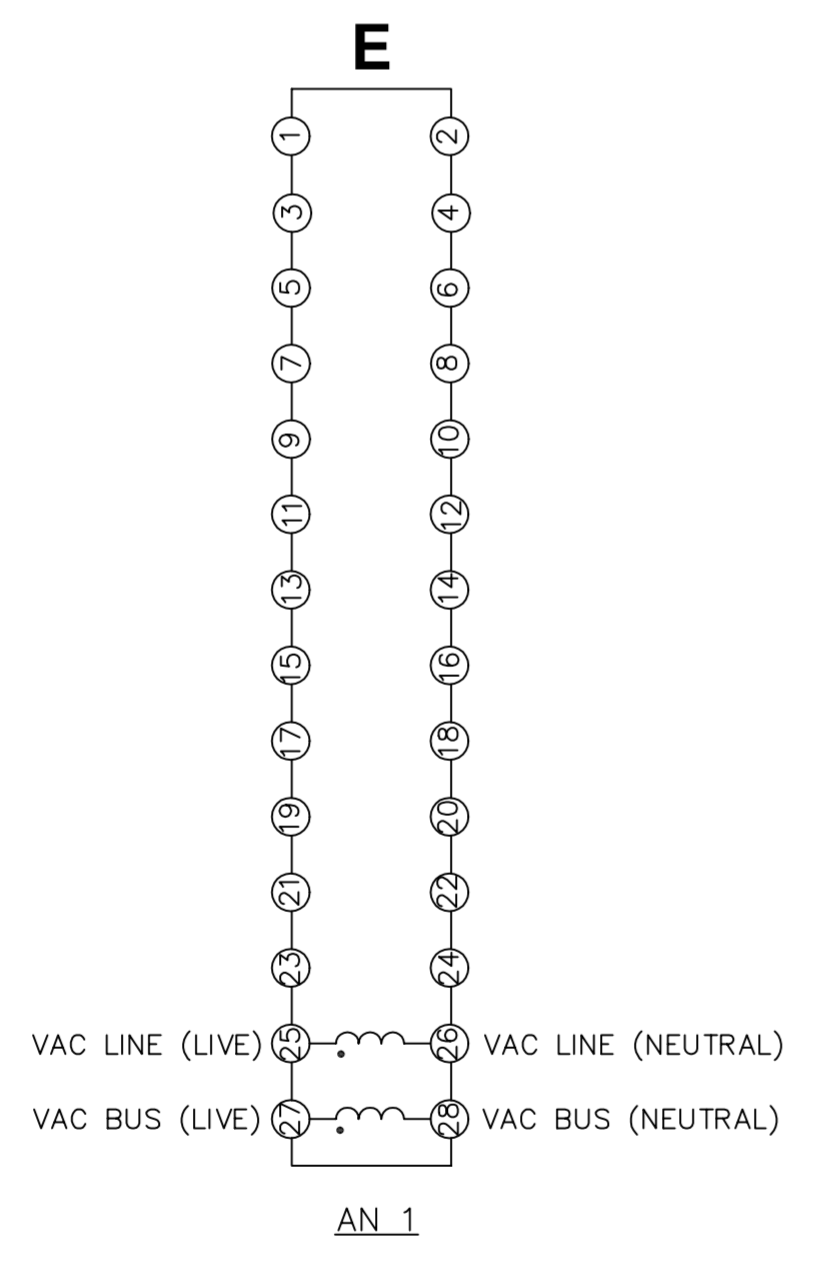
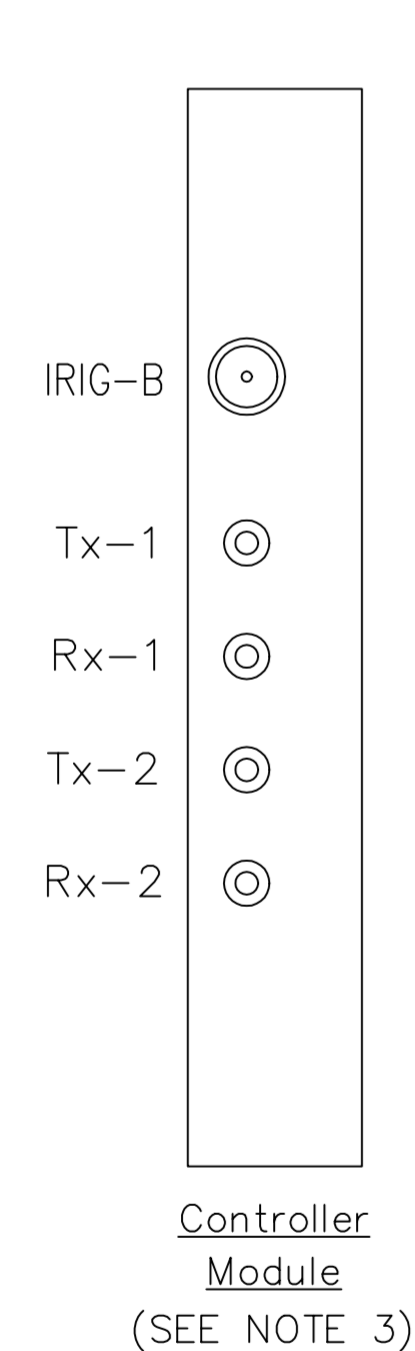
1 TERMINALS RECOMMENDED ARE PRE INSULATED & MUST BE CRIMPED USING APPROVED TOOLING. AMP PIDG OR PLASTI GRIP FUNNEL ENTRY (RING TONGUE) FOR M4 FIXING STUD.

SUPPLIER	AMP	CABLE SIZE
AMP	342103	0.25-1.6 SQ MM
AMP	342143	1.0-2.6 SQ MM.

OR ANY OTHER MANUFACTURERS EQUIVALENT TERMINAL.

2 FOR OUTLINE & DRILLING DRG SEE 2995X10012 (A4).

3 IRIG-B & FIBRE OPTIC CONNECTORS MUST BE DISCONNECTED & FIXING NUTS REMOVED BEFORE WITHDRAWING CONTROLLER MODULE.



MODULE LABEL KEY	
ANALOGUE MODULE	AN 1 etc
INPUT/OUTPUT MODULE	I/O 1 etc
P.S.U. & BASIC I/O MODULE	P.S.U.

MATERIAL:

Dimensions in millimetres : Surface texture in micrometres.  
Machine where marked ✓  
For explanation of dimensions, tolerances, notes etc. see B.S.308.  
Limit on untoleranced unmachined dimensions ±  
Limits on untoleranced machined dimensions to B.S.4500;  
i.e. up to 6±0.1; over 30 to 120±0.3; over 315±0.8;  
over 6 to 30±0.2; over 120 to 315±0.5;  
General unmachined angular tolerance ±

ABBREVIATIONS	
CT-CURRENT INPUTS	
VT-VOLTAGE INPUTS	
SI-STATUS INPUTS	
CO-CHANGE OVER OUTPUT CONTACTS	
NO-NORMALLY OPEN OUTPUT CONTACTS	
NC-NORMALLY CLOSED OUTPUT CONTACTS	

Finish:  
Treatment:

Title:  
TERM IDENT & WIRING DIAGRAM FOR TAU A/R+CHECK SYNC RELAY (2VT,27SI,3-CO,10-NO) E12 CASE

VATECH REYROLLE  
AUTOMATION, CONTROL & PROTECTION

NOT SUBJECT TO UPDATE  
ONCE COPIED / PRINTED  
OR DOWNLOADED

6 RDW	13/08/03	MNS13/2440 MM
5	27/8/02	MNS13/2370 RDW
4	02/07/01	MN75/2112
3	05/03/01	MODULE LABEL & POSTIN ADDED MN108/279
2	26/11/00	CHANGE
ISSUE	DATE	NOTED

Copyright © 2002 VATECH REYROLLE ACP Ltd. Hebburn

First used on:  
Similar Articles:  
Supersedes:  
Original Scale:  
Drg. No. 2715W11004