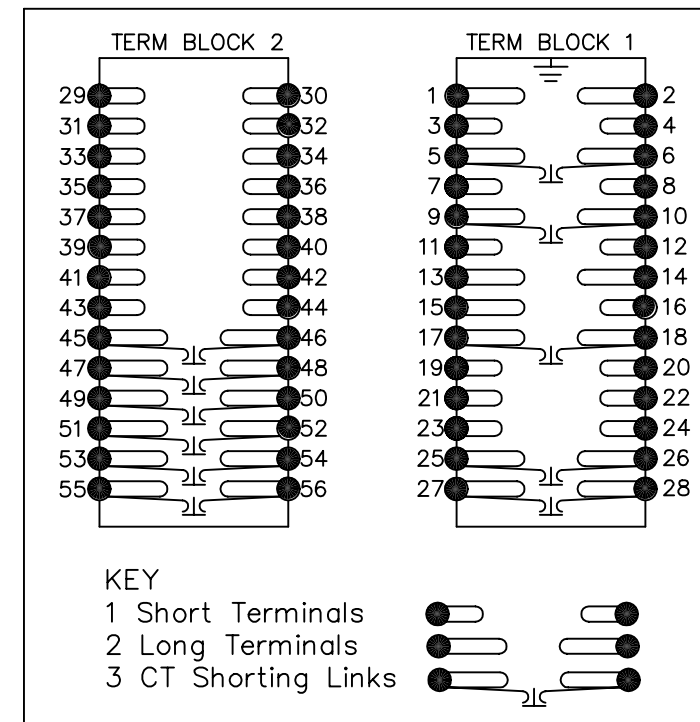


IF IN DOUBT ASK
DO NOT SCALE

DCD42xB (ARGUS 1) MODULAR SIZE 6 CASE

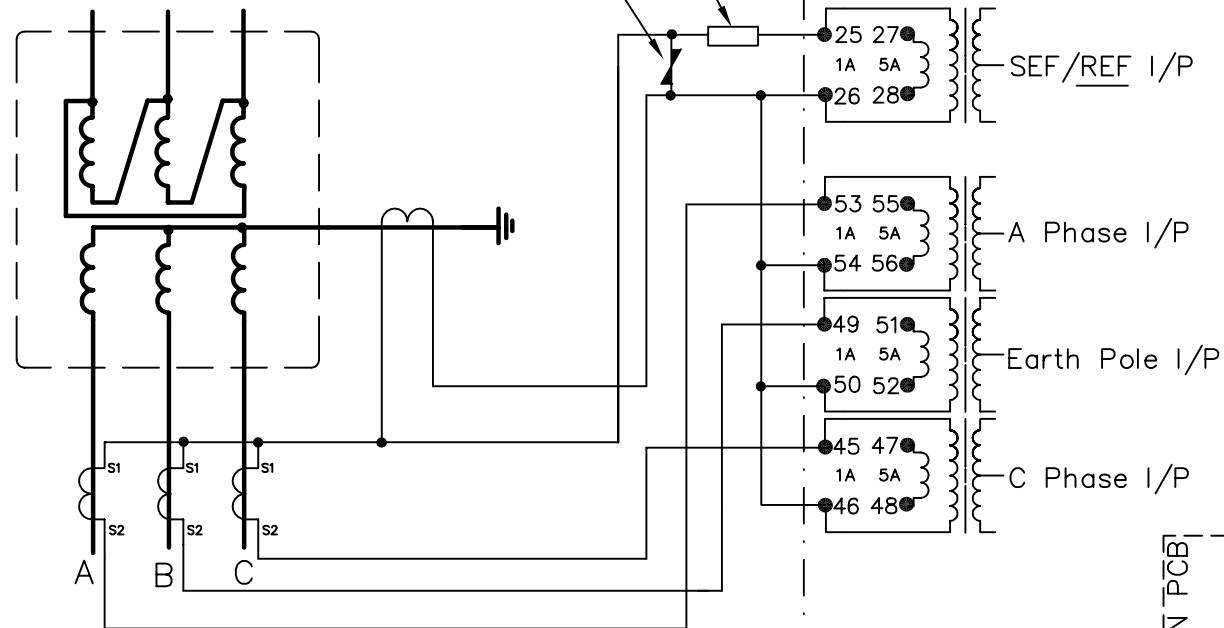
TERMINAL BLOCKS VIEWED FROM REAR



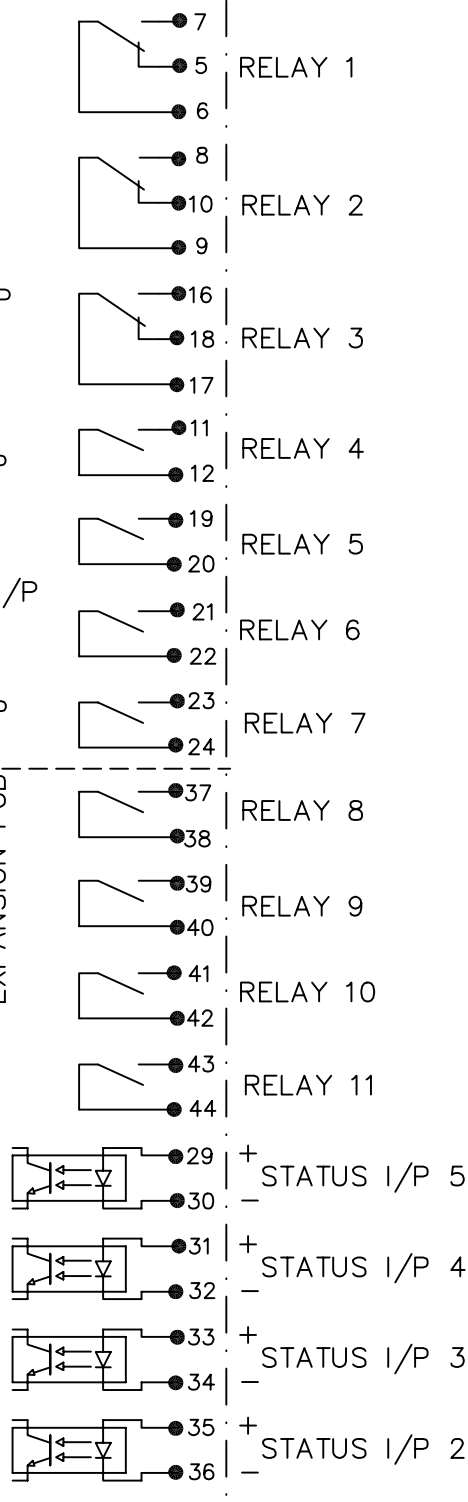
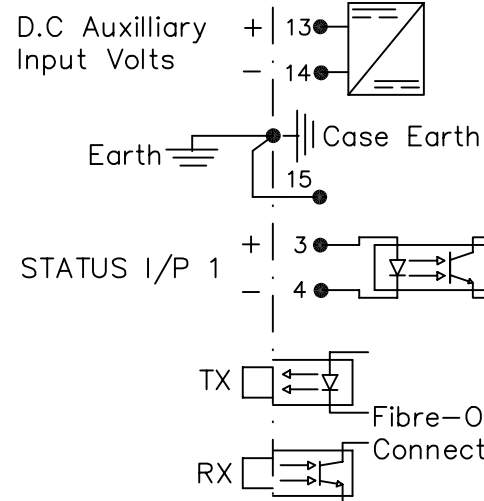
NOTES

- 1 CT CIRCUITS ARE SHOWN CONNECTED TO RELAY 1 AMP TAP. USE ALTERNATIVE TAP FOR 5AMP RATED CTs.
- 2 CT & EARTH CONNECTIONS ARE TYPICAL ONLY.
- 3 EXTERNAL N.L.R & STABILISING RESISTOR REQUIRED FOR HIGH IMPEDANCE RESTRICTED EARTH FAULT APPLICATIONS. REFER TO APPLICATION GUIDE 990/TIR/06/1
- 4 FOR TERMINAL DIAGRAM SEE 2434W50001 (A2)
- 5 DRG SHOWS OPTION A (7 OUTPUTS, 1 INPUT) DRG SHOWS OPTION B (11 OUTPUTS, 5 INPUTS)

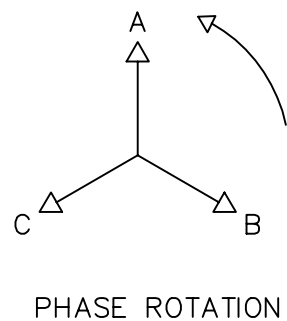
EXTERNAL SERIES STABILISING RESISTOR
EXTERNAL VOLTAGE LIMITING DEVICE (NON LINEAR RESISTOR)



EXPANSION PCB



**NOT SUBJECT TO UPDATE
ONCE COPIED / PRINTED
OR DOWNLOADED**



MATERIAL:

Dimensions in millimetres : Surface texture in micrometres.
Machine where marked ✓
For explanation of dimensions, tolerances, notes etc. see B.S.308.
Limit on untoleranced unmachined dimensions ± _____
Limits on untoleranced machined dimensions to B.S.4500;
i.e. up to 6±0.1; over 30 to 120±0.3; over 315±0.8;
over 6 to 30±0.2; over 120 to 315±0.5;
General unmachined angular tolerance ± _____

Finish: _____
Treatment: _____

Title: TYPICAL SCHEMATIC DIAGRAM FOR 3 PHASE+SEF/REF
NUMERIC O/C PROTECTION (ARGUS 1) EPSILON CASE
APPLIED TO PROVIDE REF PROTECTION

**Reyrolle Protection
Hebburn.**

Original Scale.
NTS

First used on: _____
Similar Articles: _____
Supersedes: _____
Drg. No. **2434W10086**

2	21/8/02	MN434/2368
1	06/06/02	CHANGE NOTED
ISSUE	DATE	NOTED

Copyright © 2002 Reyrolle Ltd.