



IF IN DOUBT ASK
DO NOT SCALE

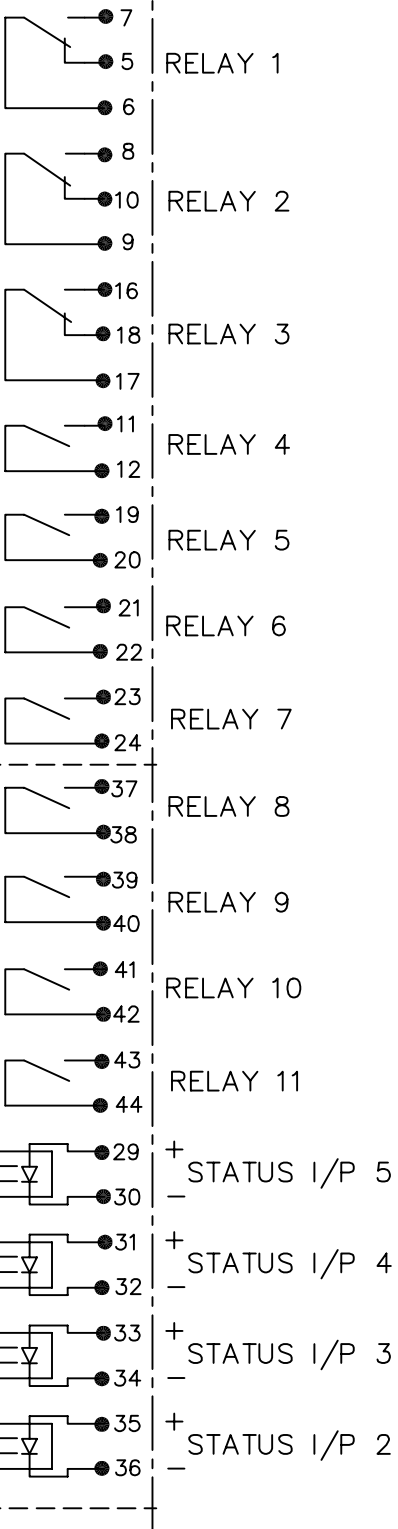
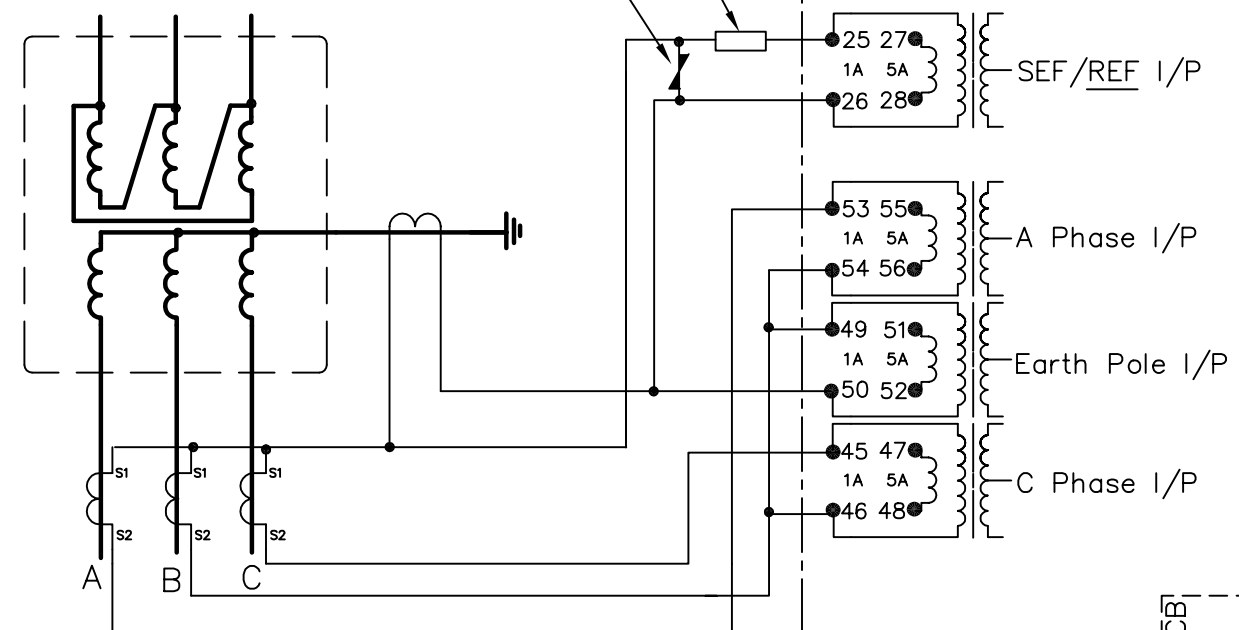
DCD42xB(ARGUS 1)MODULAR SIZE 6 CASE

A

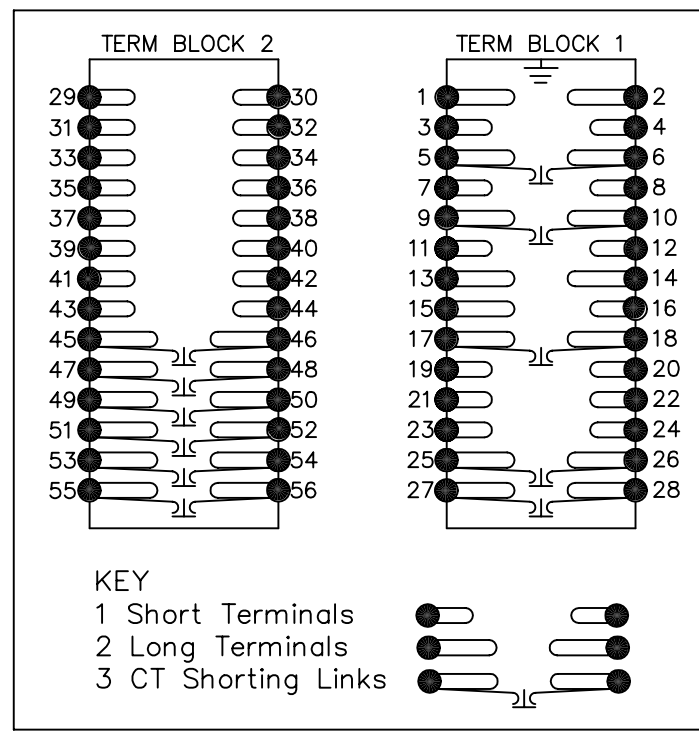
EXTERNAL SERIES STABILISING RESISTOR
EXTERNAL VOLTAGE LIMITING DEVICE
(NON LINEAR RESISTOR)

B

C



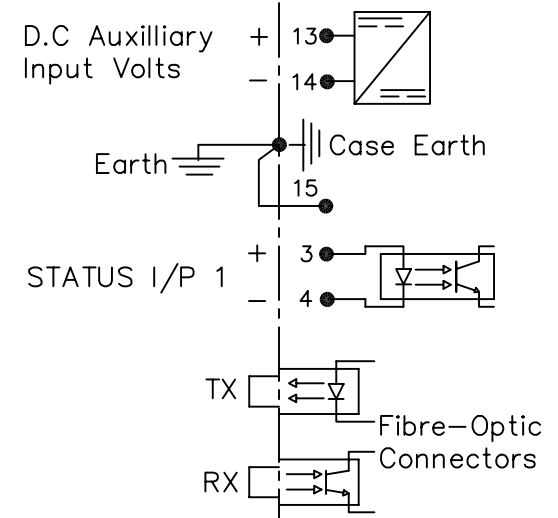
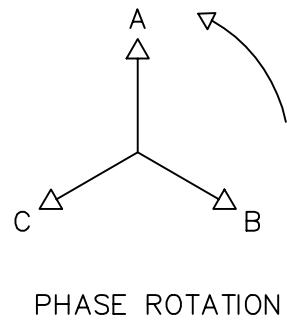
TERMINAL BLOCKS VIEWED FROM REAR



KEY
1 Short Terminals
2 Long Terminals
3 CT Shorting Links

NOTES
1 CT CIRCUITS ARE SHOWN CONNECTED TO RELAY 1 AMP TAP. USE ALTERNATIVE TAP FOR 5AMP RATED CTs.
2 CT & EARTH CONNECTIONS ARE TYPICAL ONLY.
3 EXTERNAL N.L.R. & STABILISING RESISTOR REQUIRED FOR HIGH IMPEDANCE RESTRICTED EARTH FAULT APPLICATIONS. REFER TO APPLICATION GUIDE 990/TIR/06/1
4 FOR TERMINAL DIAGRAM SEE 2434W50001 (A2)
5 DRG SHOWS OPTION A (7 OUTPUTS, 1 INPUT) DRG SHOWS OPTION B (11 OUTPUTS, 5 INPUTS)

**NOT SUBJECT TO UPDATE
ONCE COPIED / PRINTED
OR DOWNLOADED**



EXPANSION PCB

MATERIAL:

Dimensions in millimetres : Surface texture in micrometres.
Machine where marked ✓
For explanation of dimensions, tolerances, notes etc. see B.S.308.
Limit on untoleranced unmachined dimensions ± _____
Limits on untoleranced machined dimensions to B.S.4500;
i.e. up to 6±0.1; over 30 to 120±0.3; over 315±0.8;
over 6 to 30±0.2; over 120 to 315±0.5;
General unmachined angular tolerance ± _____

Finish: _____
Treatment: _____

Title: TYPICAL SCHEMATIC DIAGRAM FOR 2P+E/F+SEF
NUMERIC O/C PROTECTION ARGUS 1 EPSILON CASE
APPLIED TO PROVIDE REF PROTECTION

**Reyrolle Protection
Hebburn.**

Original Scale:
NTS

First used on: _____
Similar Articles: 2
Supersedes: _____
Drg. No. 2434W10085

2	21/8/02	MN434/2368
1	06/06/02	CHANGE NOTED
ISSUE	DATE	NOTED

Copyright © 2002 Reyrolle Ltd.