

IF IN DOUBT ASK
DO NOT SCALE

A

B

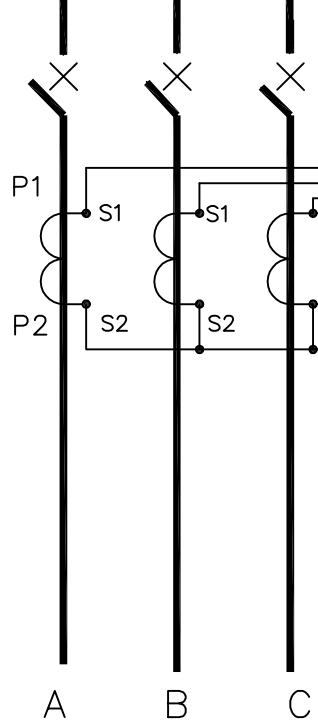
C

D

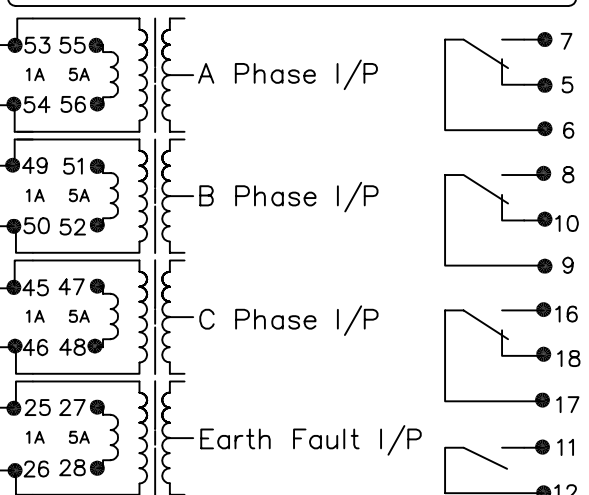
E

F

BUSBARS



DCD41xC (ARGUS 1) MODULAR SIZE 6 CASE



RELAY 1

RELAY 2

RELAY 3

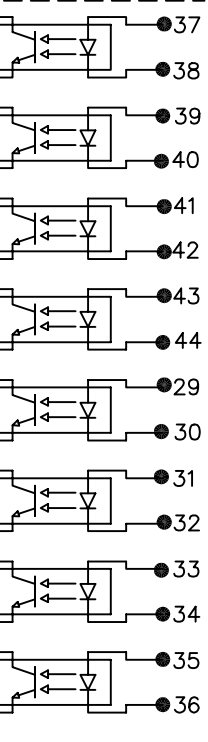
RELAY 4

RELAY 5

RELAY 6

RELAY 7

STATUS PCB



+ STATUS I/P 9

- STATUS I/P 8

+ STATUS I/P 7

- STATUS I/P 6

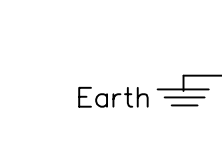
+ STATUS I/P 5

- STATUS I/P 4

+ STATUS I/P 3

- STATUS I/P 2

D.C Auxilliary
Input Volts



Earth Case Earth

STATUS I/P 1



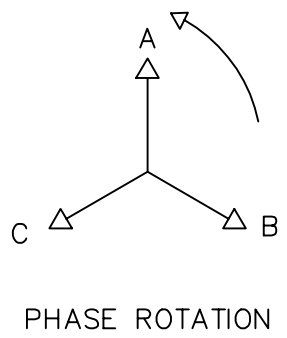
TX



RX



Fibre-Optic
Connectors



PHASE ROTATION

MATERIAL:

Dimensions in millimetres : Surface texture in micrometres.
Machine where marked ✓
For explanation of dimensions, tolerances, notes etc. see B.S.308.
Limit on untoleranced unmachined dimensions ± _____
Limits on untoleranced machined dimensions to B.S.4500;
i.e. up to 6±0.1; over 30 to 120±0.3; over 315±0.8;
over 6 to 30±0.2; over 120 to 315±0.5;
General unmachined angular tolerance ± _____

Finish:

Treatment:

Title:
TYPICAL SCHEMATIC DIAGRAM FOR 3 PHASE & E/F
NUMERIC OVERCURRENT PROTECTION (ARGUS 1) EPSILON

**Reyrolle Protection
Hebburn.**

Original Scale.
NTS

First used on:
Similar Articles: 2434W10035
Supersedes:

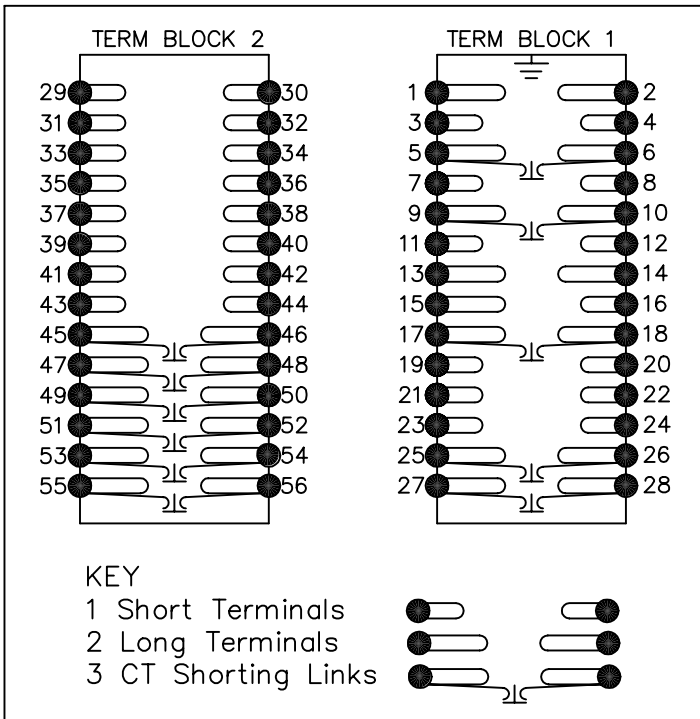
Dr. No.
2434W10058

**NOT SUBJECT TO UPDATE
ONCE COPIED / PRINTED
OR DOWNLOADED**

NOTES

- 1 CT CIRCUITS ARE SHOWN CONNECTED TO RELAY 1 AMP TAP. USE ALTERNATIVE TAP FOR 5AMP RATED CTs.
- 2 CT & EARTH CONNECTIONS ARE TYPICAL ONLY.
- 3 FOR TERMINAL DIAGRAM SEE 2434W50001 (A2)
- 4 DRG SHOWS OPTION C (7 OUTPUTS, 9 INPUTS).

TERMINAL BLOCKS VIEWED FROM REAR



KEY

- 1 Short Terminals
- 2 Long Terminals
- 3 CT Shorting Links

Copyright © 1999 Reyrolle Ltd.

2	18/4/02	MN434/2292
1	22/11/99	CHANGE NOTED
ISSUE	DATE	NOTED