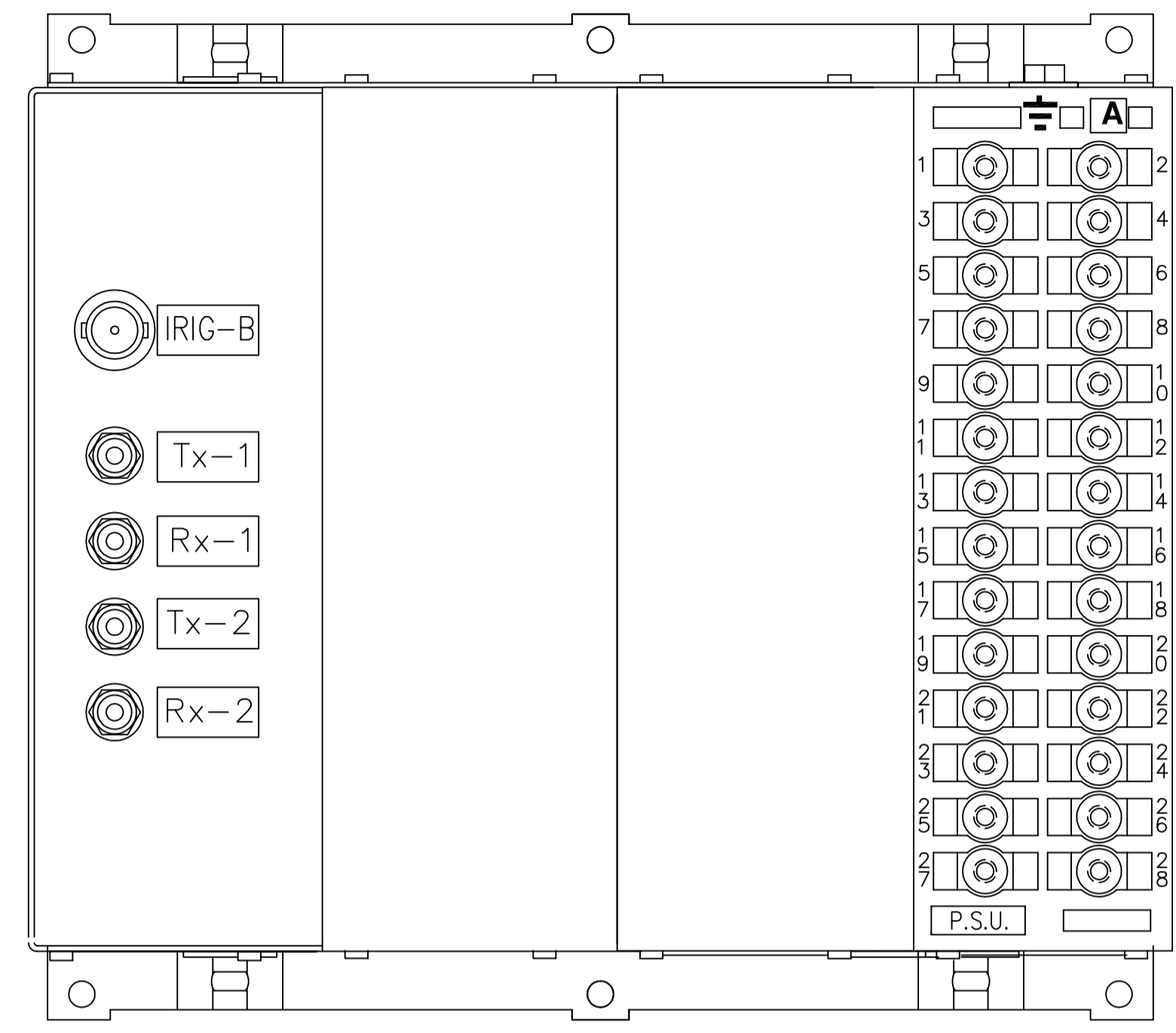


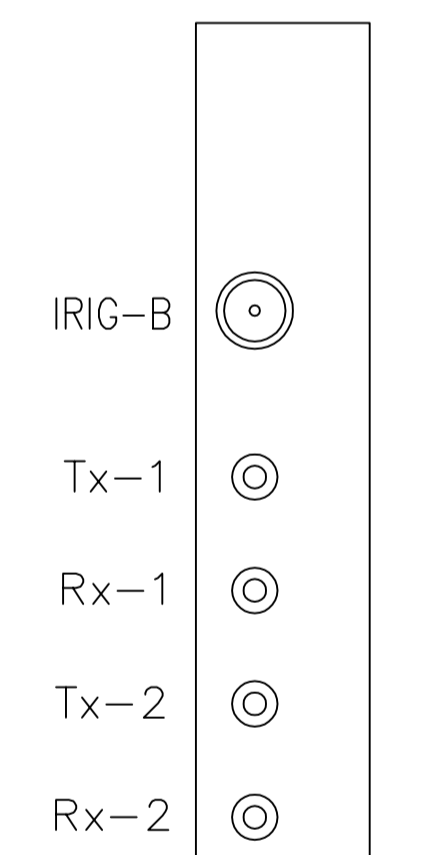
IF IN DOUBT ASK
DO NOT SCALE

A
B
C
D
E
F
G
H
J
K

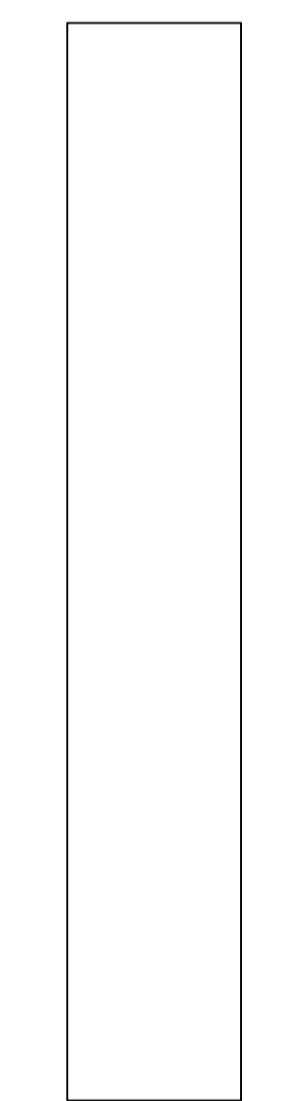


RELAY VIEWED FROM REAR

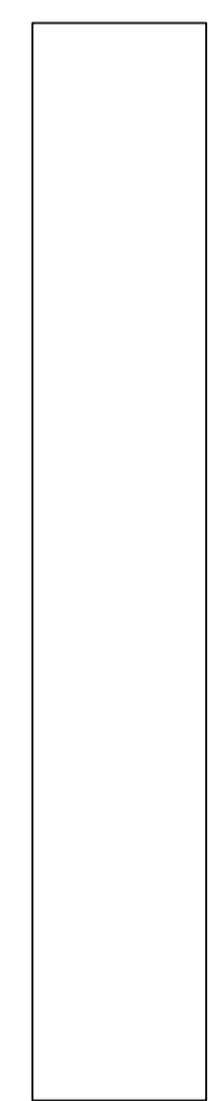
NOTES
 1 TERMINALS RECOMMENDED ARE PRE INSULATED & MUST BE CRIMPED USING APPROVED TOOLING. AMP PIDG OR PLASTI GRIP FUNNEL ENTRY (RING TONGUE) FOR M4 FIXING STUD.
 SUPPLIER AMP CABLE SIZE
 AMP 342103 0.25-1.6 SQ MM
 AMP 342143 1.0-2.6 SQ MM.
 OR ANY OTHER MANUFACTURERS EQUIVALENT TERMINAL.
 2 FOR OUTLINE & DRILLING DRG SEE 2995X10008 (A4).
 3 IRIG-B & FIBRE OPTIC CONNECTORS MUST BE DISCONNECTED & FIXING NUTS REMOVED BEFORE WITHDRAWING CONTROLLER MODULE.



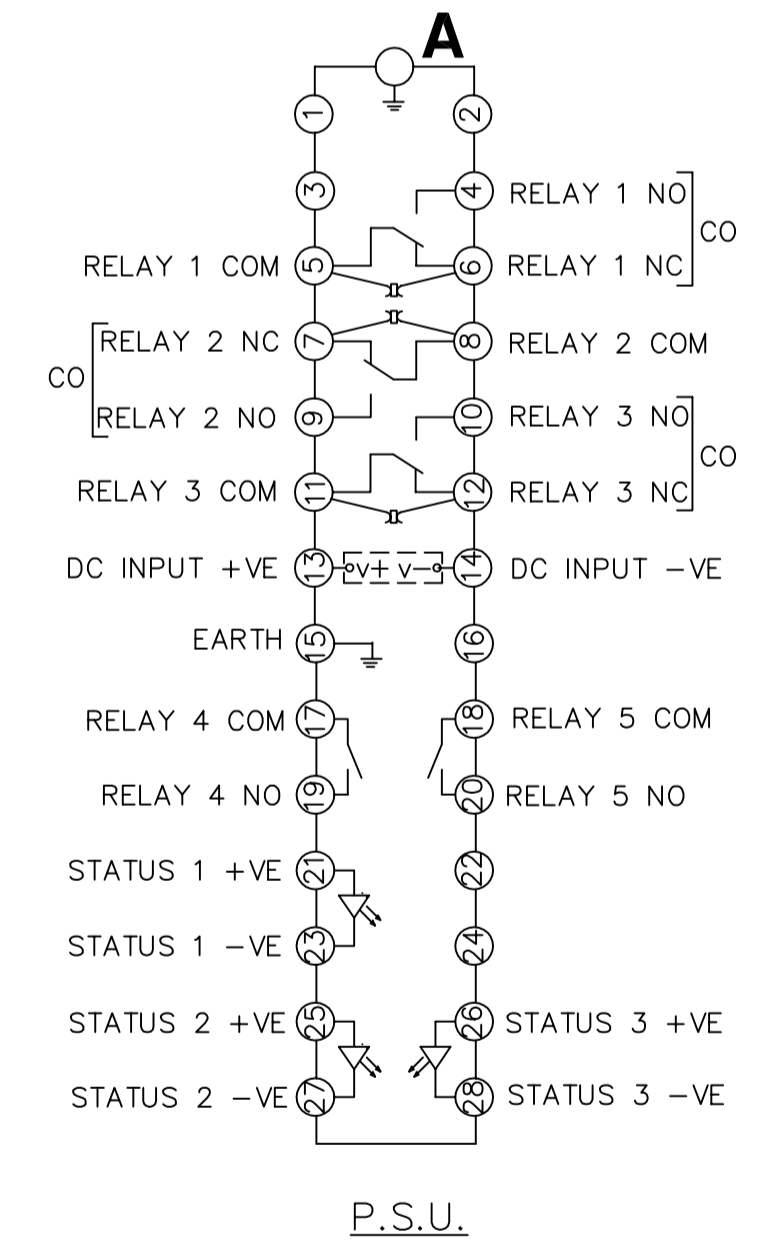
Controller Module
(SEE NOTE 3)



No Module Fitted



No Module Fitted



NOT SUBJECT TO UPDATE
ONCE COPIED / PRINTED
OR DOWNLOADED

MODULE LABEL KEY	
ANALOGUE MODULE	NOT FITTED
INPUT/OUTPUT MODULE	I/O 1 etc
P.S.U. & BASIC I/O MODULE	P.S.U.

ABBREVIATIONS	
CT	CURRENT INPUTS
VT	VOLTAGE INPUTS
SI	STATUS INPUTS
CO	CHANGE OVER OUTPUT CONTACTS
NO	NORMALLY OPEN OUTPUT CONTACTS
NC	NORMALLY CLOSED OUTPUT CONTACTS

MATERIAL:
 Dimensions in millimetres ; Surface texture in micrometres.
 Machine where marked ✓
 For explanation of dimensions, tolerances, notes etc. see B.S.308.
 Limit on untoleranced unmachined dimensions ±
 Limits on untoleranced machined dimensions to B.S.4500;
 i.e. up to 6±0.1; over 30 to 120±0.3; over 315±0.8;
 over 6 to 30±0.2; over 120 to 315±0.5;
 General unmachined angular tolerance ±

Finish:	Title: TERMINAL ID & WIRING FOR IOTA COMMON SERVICES RELAY (3SI,3CO,2NO) E8 CASE	First used on:
Treatment:	VATECH REYROLLE AUTOMATION, CONTROL & PROTECTION	Supersedes:
Original Scale:		Dr. No. 2761W11033
DRAWN RDW	CHECKED RDW	APPROVED RD.WATSON
DATE 01/02/06	IE DN	OPS PCP
Purch.Spec. TQ	EAC	CE STD A1

Copyright © 2006 VATECH REYROLLE ACP Ltd. Hebburn

1	01/02/06	CHANGE
ISSUE	DATE	NOTED