

IF IN DOUBT ASK
DO NOT SCALE

DCD12xA (ARGUS 1) MODULAR SIZE 4 CASE

NOTES

- 1 CT CIRCUITS ARE SHOWN CONNECTED TO RELAY 1 AMP TAP. USE ALTERNATIVE TAP FOR 5AMP RATED CTs.
- 2 CT & EARTH CONNECTIONS ARE TYPICAL ONLY.
- 3 FOR TERMINAL DIAGRAM SEE 2434W50002 (A2)

A

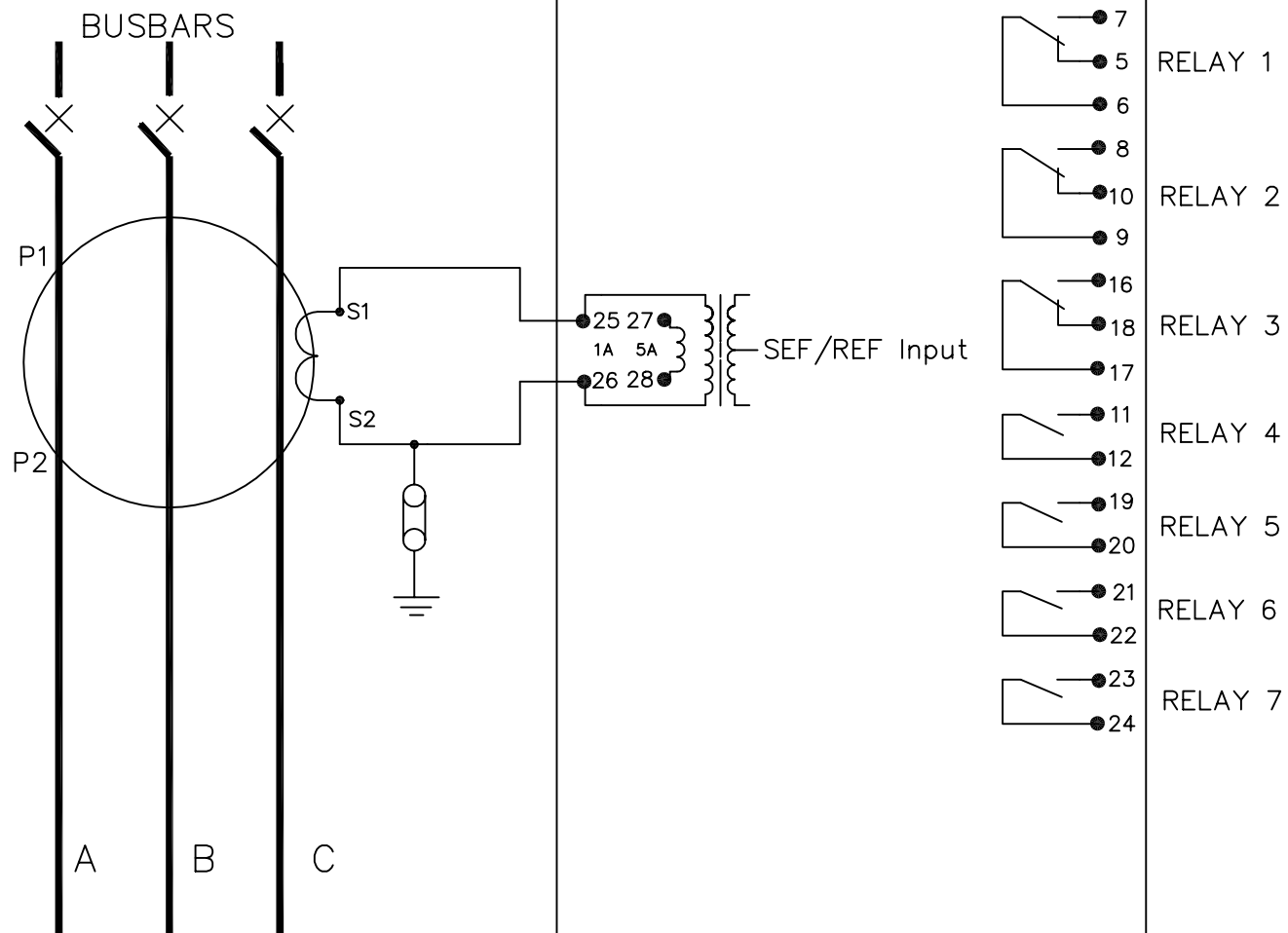
B

C

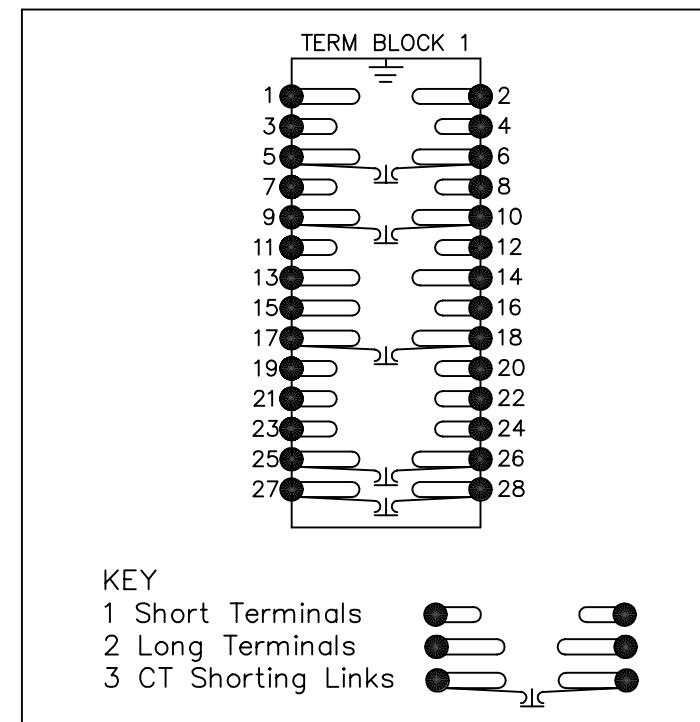
D

E

F



TERMINAL BLOCKS VIEWED FROM REAR



KEY

- 1 Short Terminals
- 2 Long Terminals
- 3 CT Shorting Links

D.C Auxilliary Input Volts

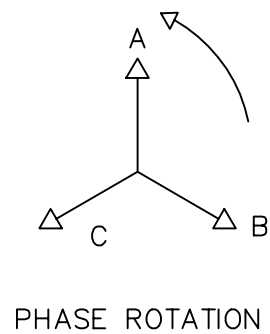
STATUS I/P 1

TX

RX

Fibre-Optic Connectors

Earth Case Earth



PHASE ROTATION

**NOT SUBJECT TO UPDATE
ONCE COPIED / PRINTED
OR DOWNLOADED**

MATERIAL:

Dimensions in millimetres : Surface texture in micrometres.
Machine where marked ✓
For explanation of dimensions, tolerances, notes etc. see B.S.308.
Limit on untoleranced unmachined dimensions ± _____
Limits on untoleranced machined dimensions to B.S.4500;
i.e. up to 6±0.1; over 30 to 120±0.3; over 315±0.8;
over 6 to 30±0.2; over 120 to 315±0.5;
General unmachined angular tolerance ± _____

Finish:

Treatment:

Title:

TYPICAL SCHEMATIC DIAGRAM SINGLE POLE SEF/REF
NUMERIC OVERCURRENT PROTECTION (ARGUS 1) EPSILON

**Reyrolle Protection
Hebburn.**

Original Scale.
NTS

First used on:

Similar Articles: 2434W10013

Supersedes:

Drq. No.

2434W10048

Copyright © 1999 Reyrolle Ltd.

2	18/4/02	MN434/2292
1	22/11/99	CHANGE NOTED
ISSUE	DATE	NOTED