



IF IN DOUBT ASK
DO NOT SCALE

DCD11xA (ARGUS 1) MODULAR SIZE 4 CASE

NOTES

- 1 CT CIRCUITS ARE SHOWN CONNECTED TO RELAY 1 AMP TAP. USE ALTERNATIVE TAP FOR 5AMP RATED CTs.
- 2 CT & EARTH CONNECTIONS ARE TYPICAL ONLY.
- 3 FOR TERMINAL DIAGRAM SEE 2434W50002 (A2)

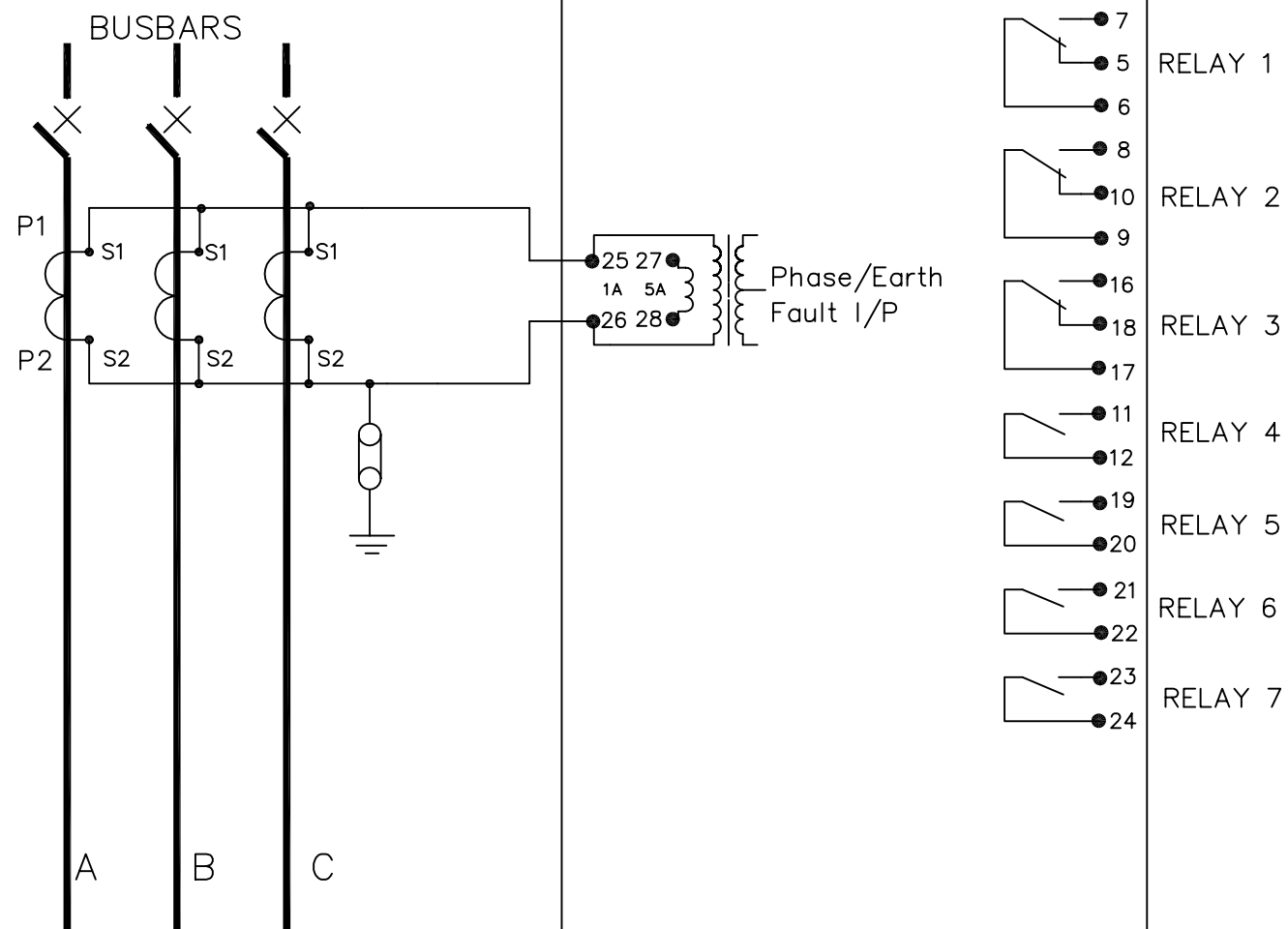
A

B

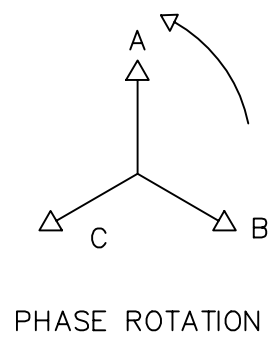
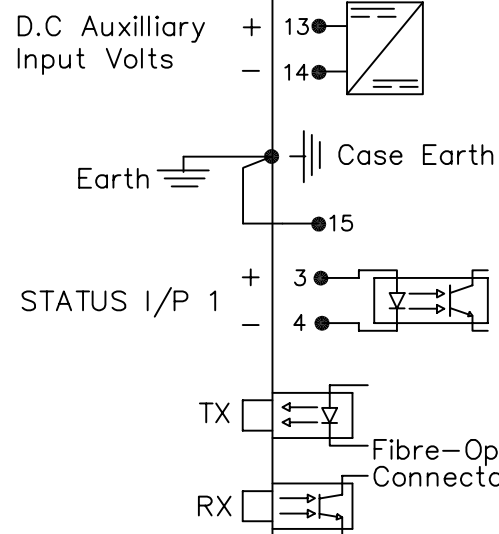
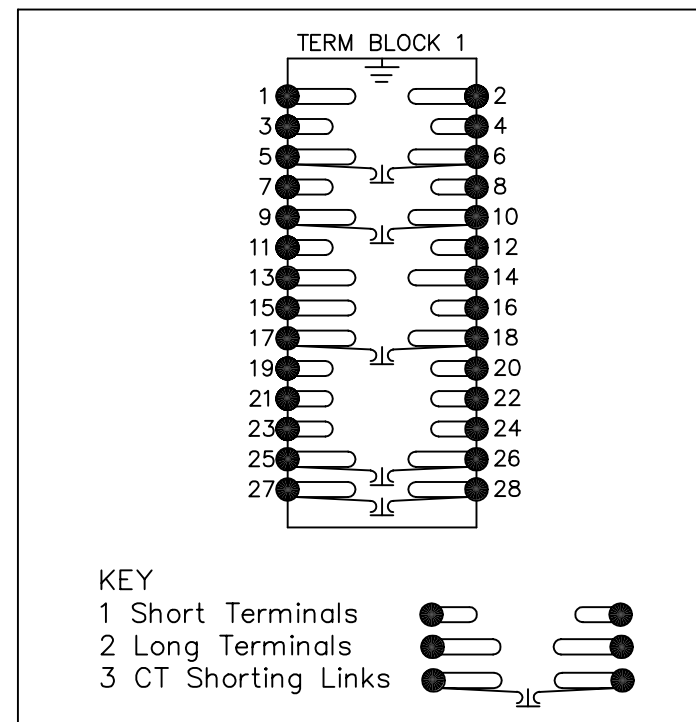
C

D

E



TERMINAL BLOCKS VIEWED FROM REAR



NOT SUBJECT TO UPDATE
ONCE COPIED / PRINTED
OR DOWNLOADED

MATERIAL:

Dimensions in millimetres : Surface texture in micrometres.
Machine where marked ✓
For explanation of dimensions, tolerances, notes etc. see B.S.308.
Limit on untoleranced unmachined dimensions ± _____
Limits on untoleranced machined dimensions to B.S.4500;
i.e. up to 6±0.1; over 30 to 120±0.3; over 315±0.8;
over 6 to 30±0.2; over 120 to 315±0.5;
General unmachined angular tolerance ± _____

Finish:

Treatment:

Title:
TYPICAL SCHEMATIC DIAGRAM SINGLE PHASE/EARTH FAULT
NUMERIC OVERCURRENT PROTECTION (ARGUS 1) EPSILON

**Reyrolle Protection
Hebburn.**

Original Scale.
NTS

First used on:

Similar Articles: 2434W10012

Supersedes:

Drg. No.
2434W10047

2	18/4/02	MN434/2292
1	22/11/99	CHANGE NOTED

Copyright © 1999 Reyrolle Ltd.