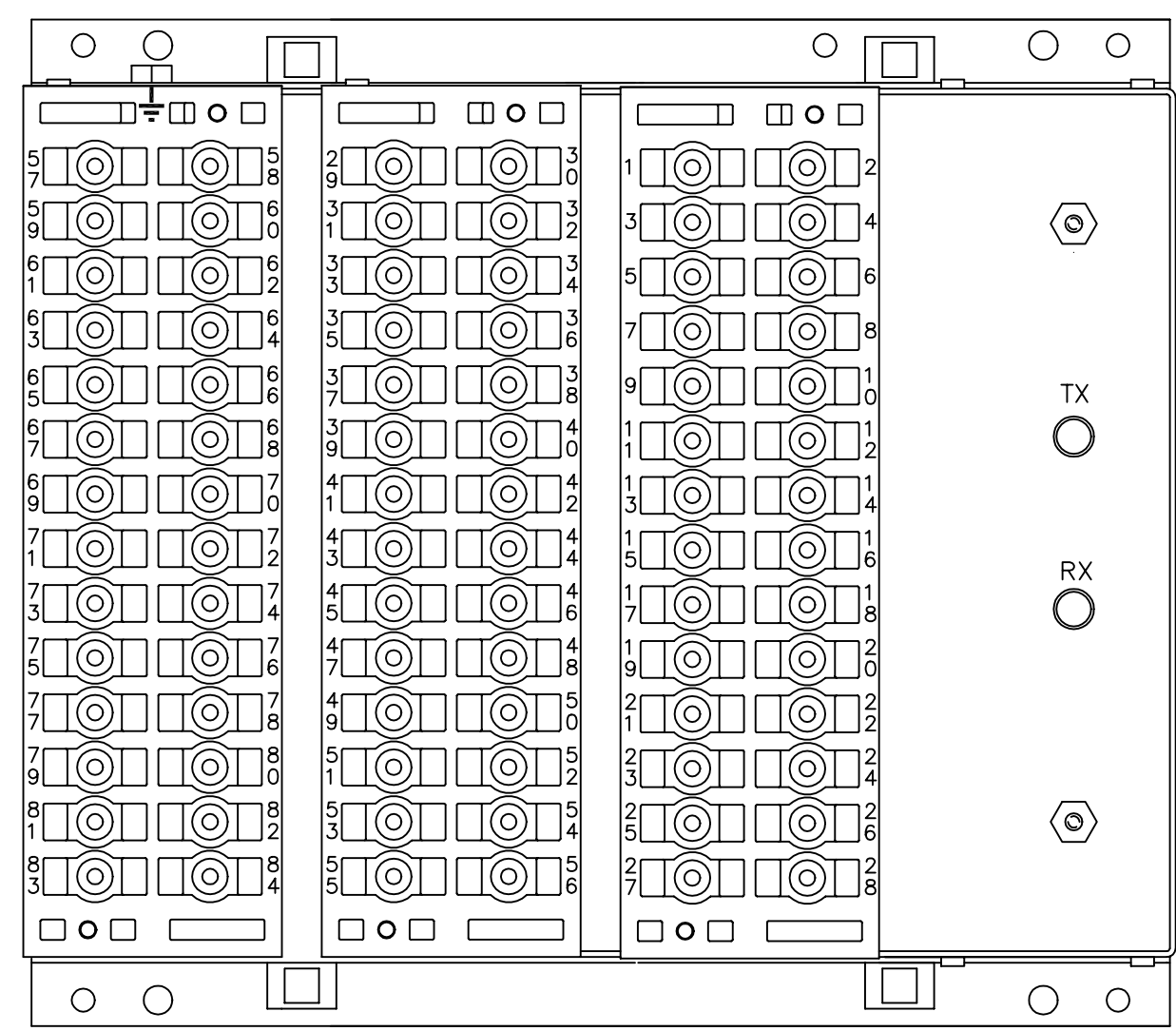
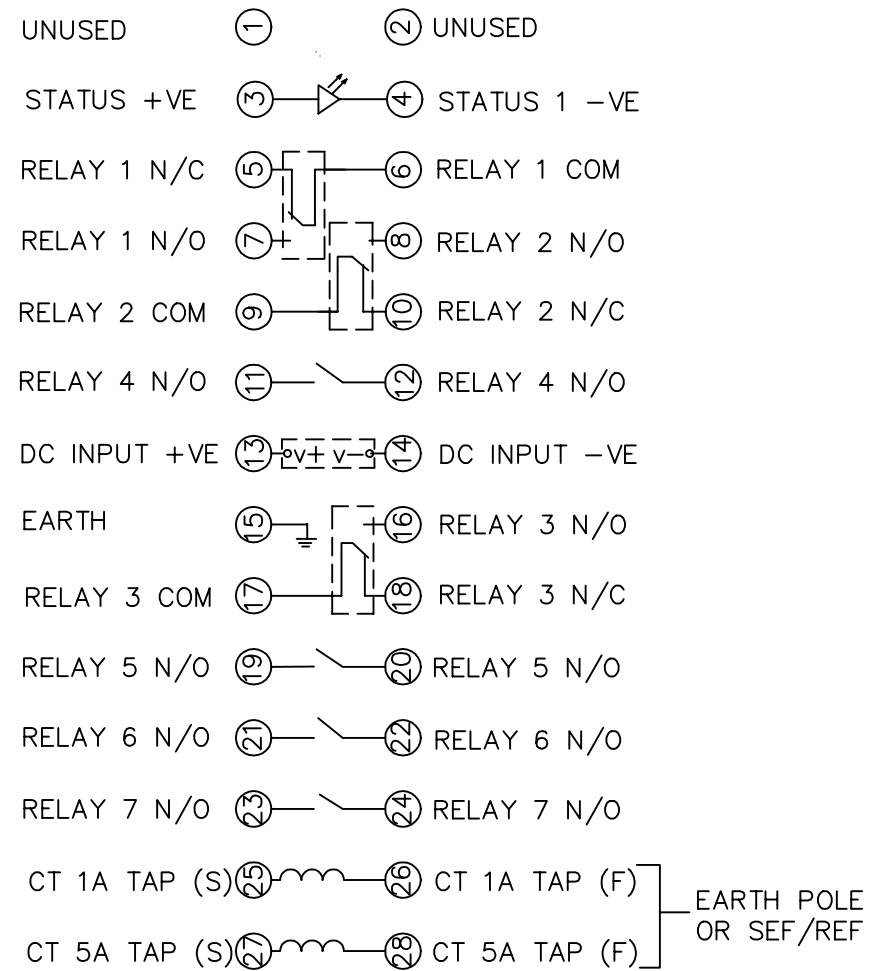
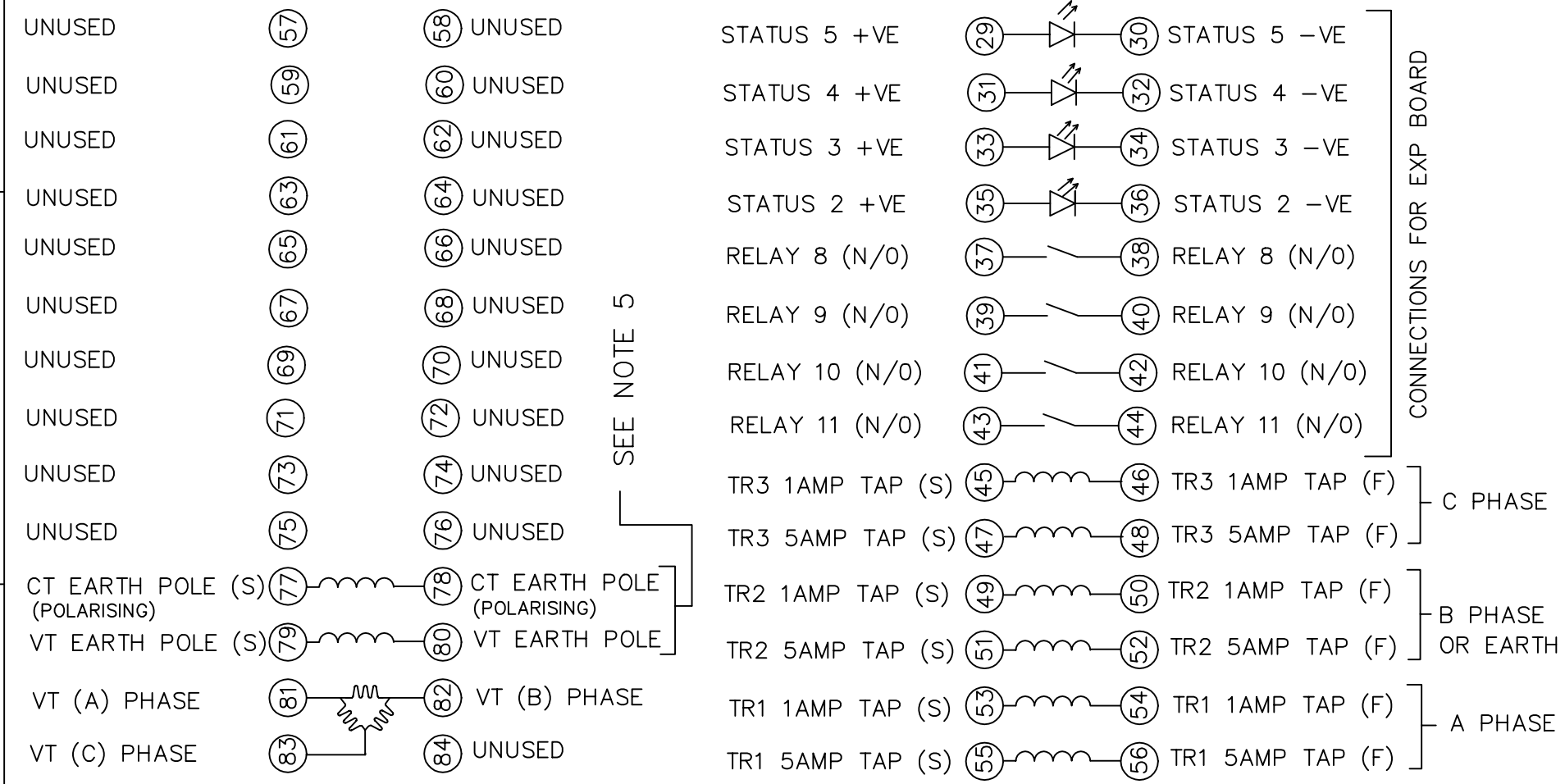


IF IN DOUBT ASK  
DO NOT SCALE



OUTER TERMINAL BLOCK ASSY: -  
VIEW BLOCK FROM THE INSIDE FACE  
ASSEMBLY INSTRUCTIONS: -

TYPICAL ASSEMBLY DRAWING 2995G10029  
AT INDICATED POSITIONS FIT AS FOLLOWS,  
S - FIT STANDARD CONTACT  
2995B10051  
HC - FIT 'HEAVY CURRENT' KIT  
2995G10030  
WHERE -o-o- IS SHOWN FIT  
CT SHORTING KIT 2995G10031  
POSITIONS SHOWN BLANK ARE UNUSED  
ALL POSITIONS FIT SCREW 2106F12506

58	57
60	59
62	61
64	63
66	65
68	67
70	69
72	71
74	73
76	75
78	77
80	79
82	81
84	83

OUTER TERMINAL BLOCK ASSY: -  
VIEW BLOCK FROM THE INSIDE FACE  
ASSEMBLY INSTRUCTIONS: -

TYPICAL ASSEMBLY DRAWING 2995G10029  
AT INDICATED POSITIONS FIT AS FOLLOWS,  
S - FIT STANDARD CONTACT  
2995B10051  
HC - FIT 'HEAVY CURRENT' KIT  
2995G10030  
WHERE -o-o- IS SHOWN FIT  
CT SHORTING KIT 2995G10031  
POSITIONS SHOWN BLANK ARE UNUSED  
ALL POSITIONS FIT SCREW 2106F12506

30	S	S	29
32	S	S	31
34	S	S	33
36	S	S	35
38	S	S	37
40	S	S	39
42	S	S	41
44	S	S	43
46	-o-o-	45	
48	-o-o-	47	
50	-o-o-	49	
52	-o-o-	51	
54	-o-o-	53	
56	-o-o-	55	

OUTER TERMINAL BLOCK ASSY: -  
VIEW BLOCK FROM THE INSIDE FACE  
ASSEMBLY INSTRUCTIONS: -

TYPICAL ASSEMBLY DRAWING 2995G10029  
AT INDICATED POSITIONS FIT AS FOLLOWS,  
S - FIT STANDARD CONTACT  
2995B10051  
HC - FIT 'HEAVY CURRENT' KIT  
2995G10030  
WHERE -o-o- IS SHOWN FIT  
CT SHORTING KIT 2995G10031  
POSITIONS SHOWN BLANK ARE UNUSED  
ALL POSITIONS FIT SCREW 2106F12506

2	S	S	1
4	S	S	3
6	-o-o-	5	
8	S	7	
10	-o-o-	9	
12	S	11	
14	S	13	
16	S	15	
18	-o-o-	17	
20	S	19	
22	S	21	
24	S	23	
26	-o-o-	25	
28	-o-o-	27	

CHASSIS TERMINAL BLOCK ASSY: -  
VIEW FROM NUMBERED SIDE OF BLOCK

ASSEMBLY INSTRUCTIONS: -  
TYPICAL ASSEMBLY DRAWING 2995G10032  
AT INDICATED POSITIONS FIT AS FOLLOWS,  
T - FIT TRIP ISOLATION CONTACT  
2995B10053  
S - FIT STANDARD CONTACT  
2995B10054  
POSITIONS SHOWN BLANK ARE UNUSED

2	T	1
4	T	3
6	T	5
8	T	7
10	T	9
12	T	11
14	T	13
16	T	15
18	S	17
20	S	19
22	S	21
24	S	23
26	S	25
28	S	27

CHASSIS TERMINAL BLOCK ASSY: -  
VIEW FROM NUMBERED SIDE OF BLOCK

ASSEMBLY INSTRUCTIONS: -  
TYPICAL ASSEMBLY DRAWING 2995G10032  
AT INDICATED POSITIONS FIT AS FOLLOWS,  
T - FIT TRIP ISOLATION CONTACT  
2995B10053  
S - FIT STANDARD CONTACT  
2995B10054  
POSITIONS SHOWN BLANK ARE UNUSED

2	T	T	1
4	T	T	3
6	T	T	5
8	T	T	7
10	T	T	9
12	T	T	11
14	T	T	13
16	T	T	15
18	S	S	17
20	S	S	19
22	S	S	21
24	S	S	23
26	S	S	25
28	S	S	27

CHASSIS TERMINAL BLOCK ASSY: -  
VIEW FROM NUMBERED SIDE OF BLOCK

ASSEMBLY INSTRUCTIONS: -  
TYPICAL ASSEMBLY DRAWING 2995G10032  
AT INDICATED POSITIONS FIT AS FOLLOWS,  
T - FIT TRIP ISOLATION CONTACT  
2995B10053  
S - FIT STANDARD CONTACT  
2995B10054  
POSITIONS SHOWN BLANK ARE UNUSED

2	S	S	1
4	T	T	3
6	S	S	5
8	T	T	7
10	S	S	9
12	T	T	11
14	S	S	13
16	T	T	15
18	S	S	17
20	T	T	19
22	T	T	21
24	T	T	23
26	S	S	25
28	S	S	27

NOTES  
 1 TERMINALS RECOMMENDED ARE PRE INSULATED & MUST BE CRIMPED USING APPROVED TOOLING. AMP PIDG OR PLASTI GRIP FUNNEL ENTRY (RING TONGUE) FOR M4 FIXING STUD.  
 SUPPLIER AMP CABLE SIZE  
 AMP 342103 0.25-1.6 SQ MM  
 AMP 342143 1.0-2.6 SQ MM.  
 OR ANY OTHER MANUFACTURERS EQUIVALENT TERMINAL.  
 2 FOR OUTLINE & DRILLING DRG SEE 2995X10008 (A4).  
 3 CT OR VT POLARISATION IS AVAILABLE (FOR CLARITY DRG SHOWS BOTH VT & CT TERMINATIONS)

MATERIAL:  
 Dimensions in millimetres ; Surface texture in micrometres.  
 Machine where marked ✓  
 For explanation of dimensions, tolerances, notes etc. see B.S.308.  
 Limit on untoleranced unmachined dimensions ±  
 Limits on untoleranced machined dimensions to B.S.4500;  
 i.e. up to 6±0.1; over 30 to 120±0.3; over 315±0.8;  
 over 6 to 30±0.2; over 120 to 315±0.5;  
 General unmachined angular tolerance ±

Finish:	Title:	First used on:
Treatment:	TERMINAL IDENTIFICATION & RELAY WIRING DIAGRAM 4 POLE DIRECTIONAL GAF ARGUS 5&6) RELAY (E8 CASE)	Similar Articles:
	<b>Reyrolle Protection Hebburn.</b>	Supersedes:
	Original Scale: 1:1	Supersedes: 2716W50002

NOT SUBJECT TO UPDATE  
ONCE COPIED / PRINTED  
OR DOWNLOADED

PROTECTION TYPE	SCHEMATIC DIAGRAM
3 PHASE(DIR)+EARTH(DIR)	2716W10010 (A3)
3 PHASE(DIR)+EARTH	
3 PHASE(DIR)+SEF	2716W10011 (A3)

3	19/4/02	MN434/2292
2	22/11/99	MN434/150
1	20/5/99	CHANGE
ISSUE	DATE	NOTED