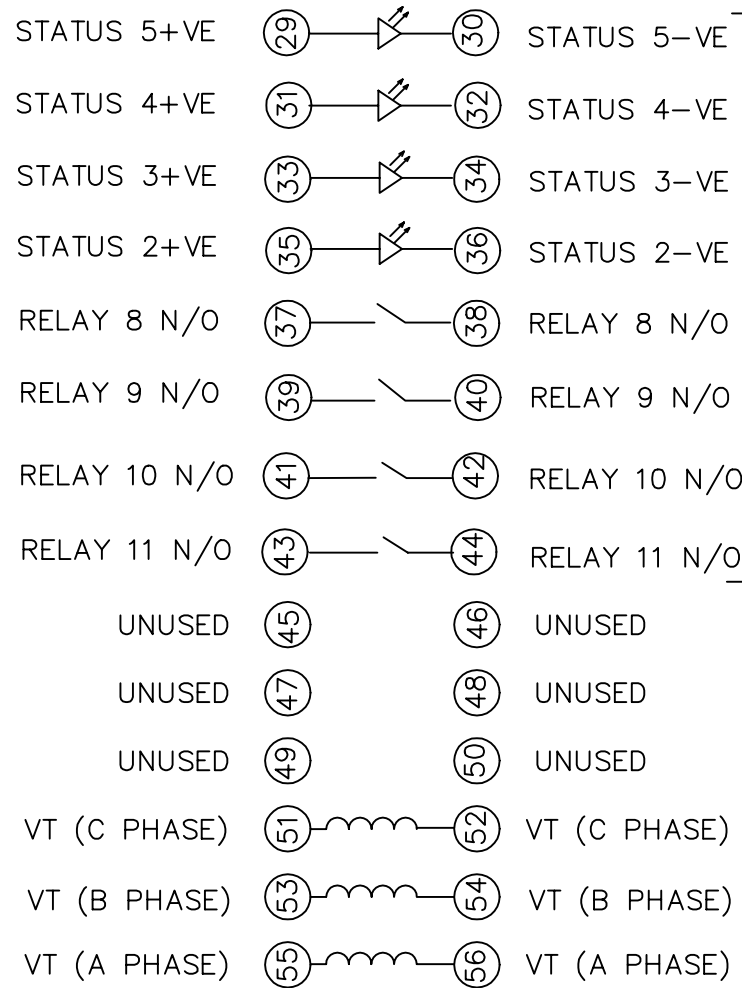


IF IN DOUBT ASK
DO NOT SCALE

A



CONNECTIONS FOR EXPANSION BOARD

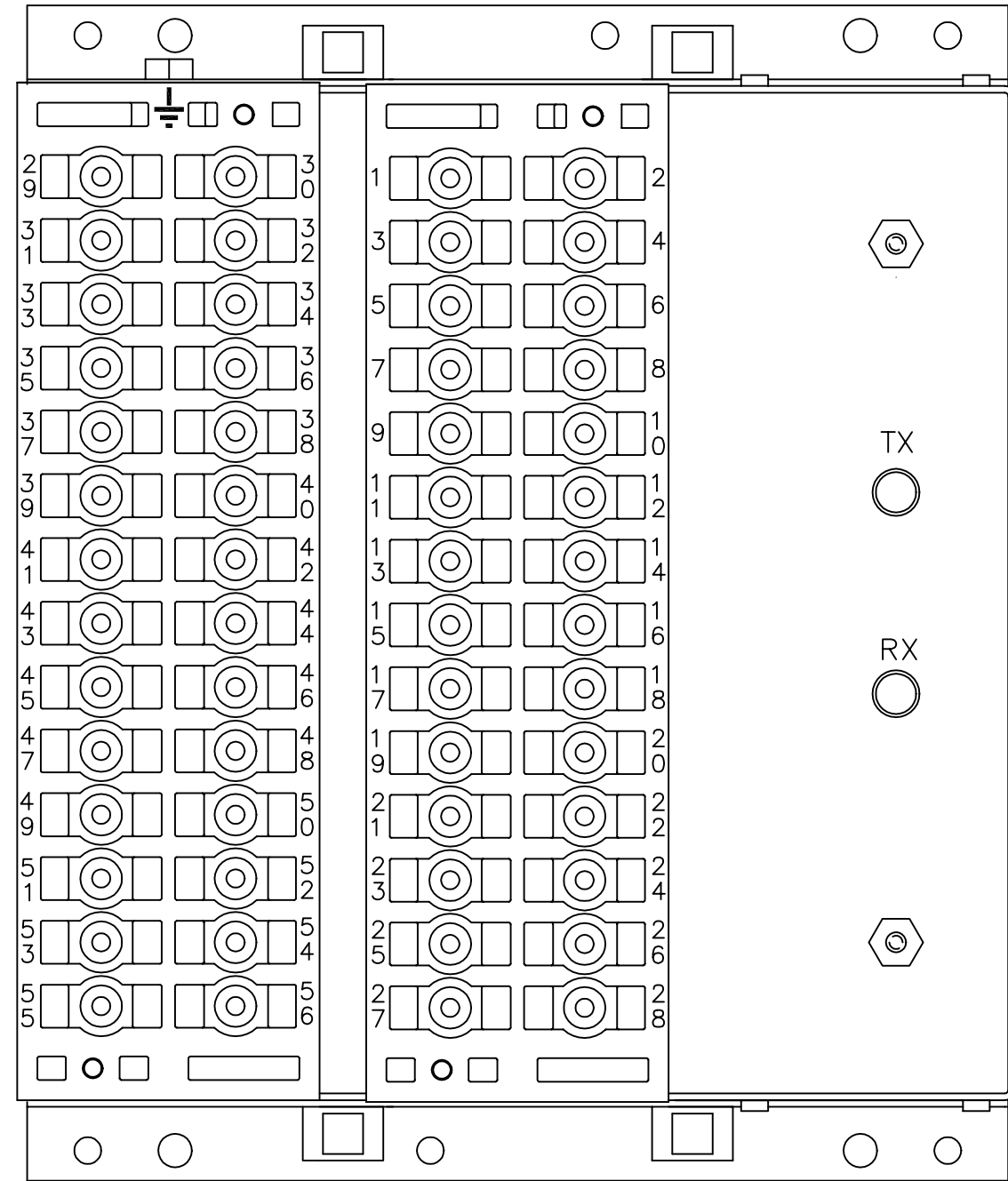
B

C

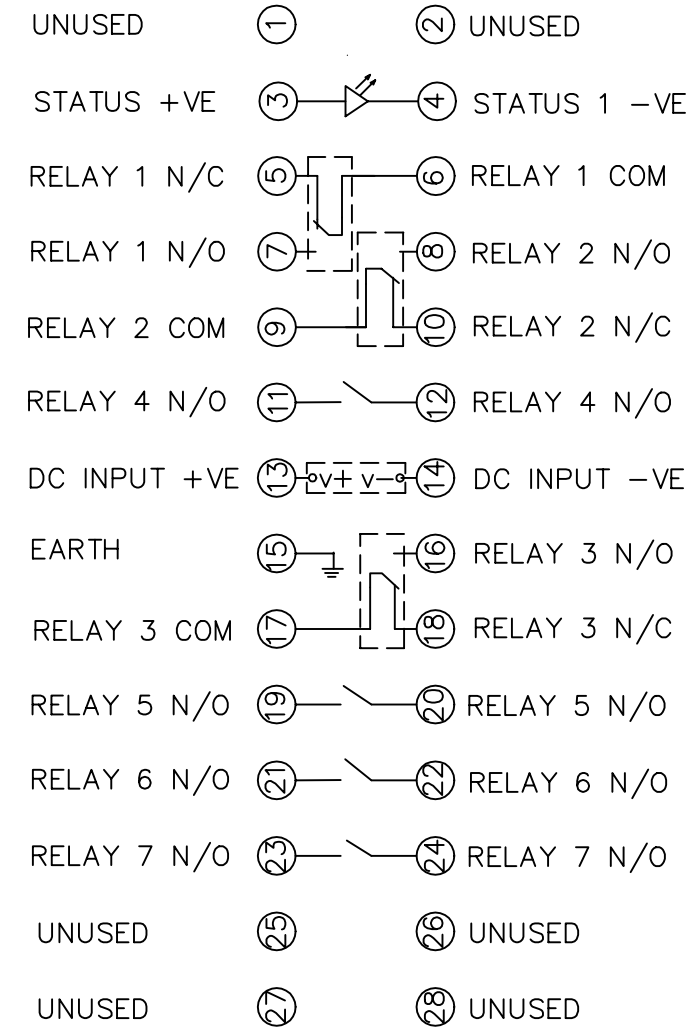
D

E

F



BOX VIEWED FROM REAR



OUTER TERMINAL BLOCK ASSY:-
VIEW BLOCK FROM THE INSIDE FACE

ASSEMBLY INSTRUCTIONS:-
 TYPICAL ASSEMBLY DRAWING 2995G10029
 AT INDICATED POSITIONS FIT AS FOLLOWS,
 S - FIT STANDARD CONTACT
 2995B10051
 HC - FIT 'HEAVY CURRENT' KIT
 2995G10030
 WHERE -o- IS SHOWN FIT
 CT SHORTING KIT 2995G10031
 POSITIONS SHOWN BLANK ARE UNUSED
 ALL POSITIONS FIT SCREW 2106F12506

| | | | |
|----|-----|-----|----|
| 2 | S | S | 1 |
| 4 | S | S | 3 |
| 6 | -o- | -o- | 5 |
| 8 | S | S | 7 |
| 10 | -o- | -o- | 9 |
| 12 | S | S | 11 |
| 14 | S | S | 13 |
| 16 | S | S | 15 |
| 18 | -o- | -o- | 17 |
| 20 | S | S | 19 |
| 22 | S | S | 21 |
| 24 | S | S | 23 |
| 26 | -o- | -o- | 25 |
| 28 | S | S | 27 |

CHASSIS TERMINAL BLOCK ASSY:-
VIEW FROM NUMBERED SIDE OF BLOCK

ASSEMBLY INSTRUCTIONS:-
 TYPICAL ASSEMBLY DRAWING 2995G10032
 AT INDICATED POSITIONS FIT AS FOLLOWS,
 T - FIT TRIP ISOLATION CONTACT
 2995B10053
 S - FIT STANDARD CONTACT
 2995B10054
 POSITIONS SHOWN BLANK ARE UNUSED

| | | | |
|----|---|---|----|
| 2 | S | S | 1 |
| 4 | T | T | 3 |
| 6 | S | S | 5 |
| 8 | T | T | 7 |
| 10 | S | S | 9 |
| 12 | T | T | 11 |
| 14 | S | S | 13 |
| 16 | T | T | 15 |
| 18 | S | S | 17 |
| 20 | T | T | 19 |
| 22 | T | T | 21 |
| 24 | T | T | 23 |
| 26 | S | S | 25 |
| 28 | S | S | 27 |

OUTER TERMINAL BLOCK ASSY:-
VIEW BLOCK FROM THE INSIDE FACE

ASSEMBLY INSTRUCTIONS:-
 TYPICAL ASSEMBLY DRAWING 2995G10029
 AT INDICATED POSITIONS FIT AS FOLLOWS,
 S - FIT STANDARD CONTACT
 2995B10051
 HC - FIT 'HEAVY CURRENT' KIT
 2995G10030
 WHERE -o- IS SHOWN FIT
 CT SHORTING KIT 2995G10031
 POSITIONS SHOWN BLANK ARE UNUSED
 ALL POSITIONS FIT SCREW 2106F12506

| | | | |
|----|-----|-----|----|
| 30 | S | S | 29 |
| 32 | -o- | -o- | 31 |
| 34 | S | S | 33 |
| 36 | S | S | 35 |
| 38 | S | S | 37 |
| 40 | S | S | 39 |
| 42 | S | S | 41 |
| 44 | S | S | 43 |
| 46 | -o- | -o- | 45 |
| 48 | -o- | -o- | 47 |
| 50 | -o- | -o- | 49 |
| 52 | S | S | 51 |
| 54 | S | S | 53 |
| 56 | S | S | 55 |

CHASSIS TERMINAL BLOCK ASSY:-
VIEW FROM NUMBERED SIDE OF BLOCK

ASSEMBLY INSTRUCTIONS:-
 TYPICAL ASSEMBLY DRAWING 2995G10032
 AT INDICATED POSITIONS FIT AS FOLLOWS,
 T - FIT TRIP ISOLATION CONTACT
 2995B10053
 S - FIT STANDARD CONTACT
 2995B10054
 POSITIONS SHOWN BLANK ARE UNUSED

| | | | |
|----|---|---|----|
| 2 | T | T | 1 |
| 4 | T | T | 3 |
| 6 | T | T | 5 |
| 8 | T | T | 7 |
| 10 | T | T | 9 |
| 12 | T | T | 11 |
| 14 | T | T | 13 |
| 16 | T | T | 15 |
| 18 | S | S | 17 |
| 20 | S | S | 19 |
| 22 | S | S | 21 |
| 24 | S | S | 23 |
| 26 | S | S | 25 |
| 28 | S | S | 27 |

| PROTECTION TYPE | SCHEMATIC DIAGRAM OPTION B | SCHEMATIC DIAGRAM OPTION C |
|-----------------|-------------------------------|-------------------------------|
| PHASE/PHASE | 2422W10003 (A3) | 2422W10004 (A3) |
| PHASE/NEUTRAL | 2422W10005 (A3) | 2422W10006 (A3) |

NOTES

1 TERMINALS RECOMMENDED ARE PRE INSULATED & MUST BE CRIMPED USING APPROVED TOOLING.
 AMP PIDG OR PLASTI GRIP FUNNEL ENTRY (RING TONGUE) FOR M4 FIXING STUD.

| SUPPLIER | AMP | CABLE SIZE |
|----------|--------|----------------|
| AMP | 342103 | 0.25-1.6 SQ MM |
| AMP | 342143 | 1.0-2.6 SQ MM. |

OR ANY OTHER MANUFACTURERS EQUIVALENT TERMINAL.

2 FOR OUTLINE & DRILLING DRG SEE 2995X10006 (A4).
 3 TERMINAL BLOCKS TO BE REFERENCED A & B AS SHOWN.

MATERIAL:

Dimensions in millimetres ; Surface texture in micrometres.
 Machine where marked ✓
 For explanation of dimensions, tolerances, notes etc. see B.S.308.
 Limit on untoleranced unmachined dimensions ±
 Limits on untoleranced machined dimensions to B.S.4500;
 i.e. up to 6±0.1; over 30 to 120±0.3; over 315±0.8;
 over 6 to 30±0.2; over 120 to 315±0.5;
 General unmachined angular tolerance ±

Finish:

Treatment:

Title:

TERMINAL IDENTIFICATION & RELAY WIRING DIAGRAM
 VOLTAGE RELAY 110/P + 5SI ARGUS 8 (E6 CASE)

VATECH REYROLLE
AUTOMATION, CONTROL & PROTECTION

Original Scale.

1 : 1

First used on:

Similar Articles:

Supersedes:

Dr. No.

2422W50002

**NOT SUBJECT TO UPDATE
 OR COPIED / PRINTED
 ONCE DOWNLOADED**

| ISSUE | DATE | NOTED |
|-------|----------|----------------|
| 4 RDW | 05/01/04 | MN422/2604 SPK |
| 3 | 19/4/02 | MN434/2292 |
| 2 | 14/6/00 | MN422/1 |
| 1 | 26/11/99 | CHANGE |