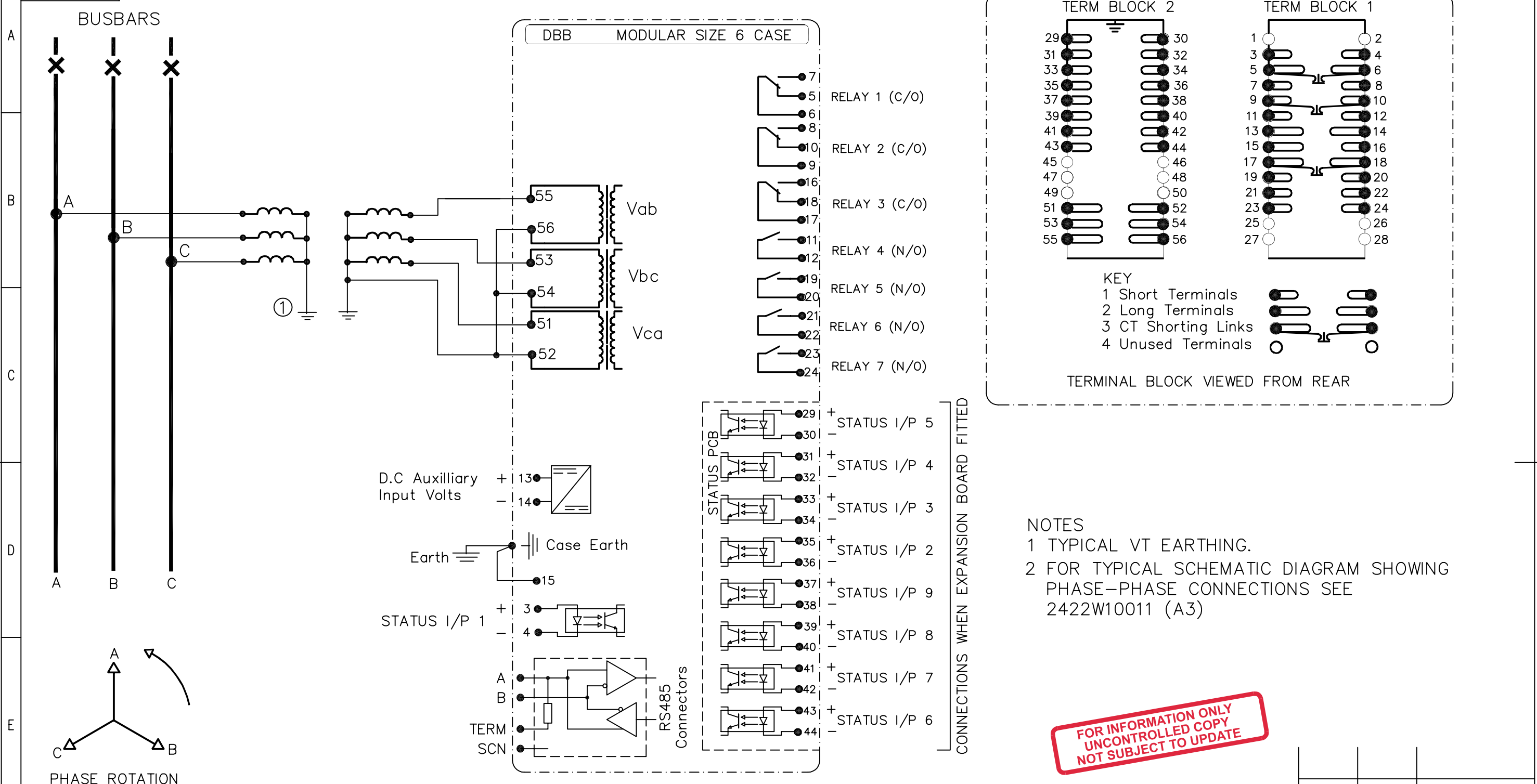


IF IN DOUBT ASK
DO NOT SCALE



NOTES
1 TYPICAL VT EARTHING.
2 FOR TYPICAL SCHEMATIC DIAGRAM SHOWING PHASE-PHASE CONNECTIONS SEE 2422W10011 (A3)

**FOR INFORMATION ONLY
UNCONTROLLED COPY
NOT SUBJECT TO UPDATE**

MATERIAL:

Dimensions in millimetres : Surface texture in micrometres.
Machine where marked ✓
For explanation of dimensions, tolerances, notes etc. see B.S.308.
Limit on untoleranced unmachined dimensions ± _____
Limits on untoleranced machined dimensions to B.S.4500;
i.e. up to 6±0.1; over 30 to 120±0.3; over 315±0.8;
over 6 to 30±0.2; over 120 to 315±0.5;
General unmachined angular tolerance ± _____

Finish: _____
Treatment: _____

Title:
TYPICAL SCHEMATIC DIAGRAM 3 PHASE VOLT. RELAY RS485
PHASE-NEUTRAL CONNECTIONS (OPTION C) ARGUS 8
**Reyrolle Protection
Hebburn.**

Original Scale: NTS
First used on: _____
Similar Articles: 2422W10006
Supersedes: _____
Drg. No. 2422W10013

1	04/11/05	CHANGE NOTED	△
ISSUE	DATE	NOTED	

Copyright © 2005 Reyrolle Ltd.