

IF IN DOUBT ASK
DO NOT SCALE

A

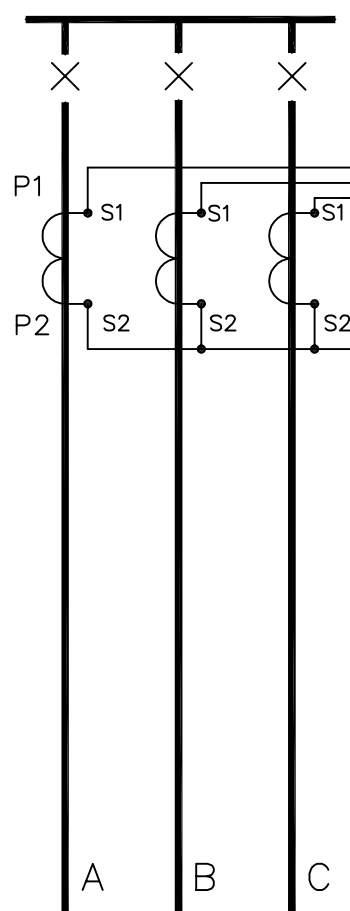
B

C

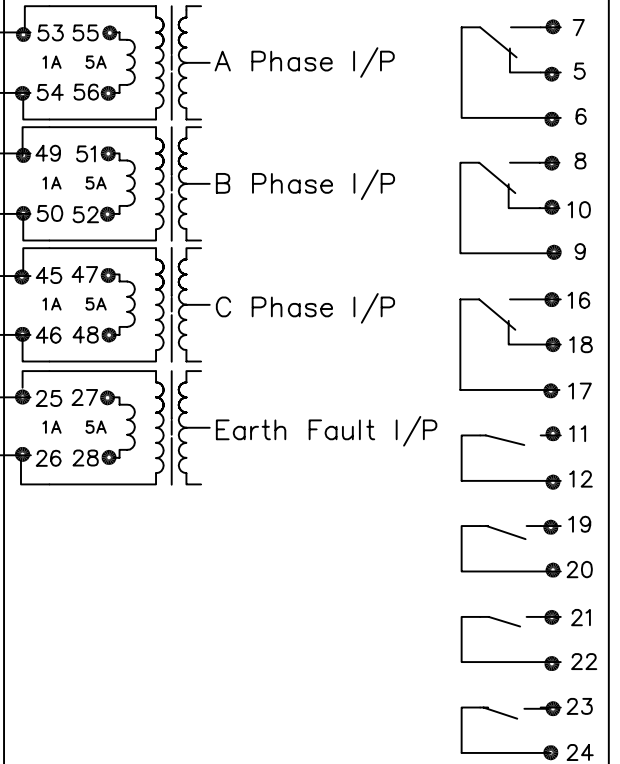
D

E

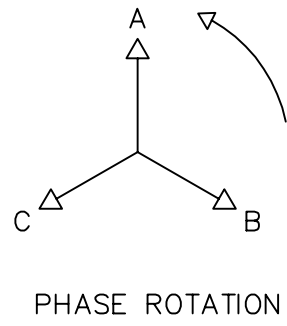
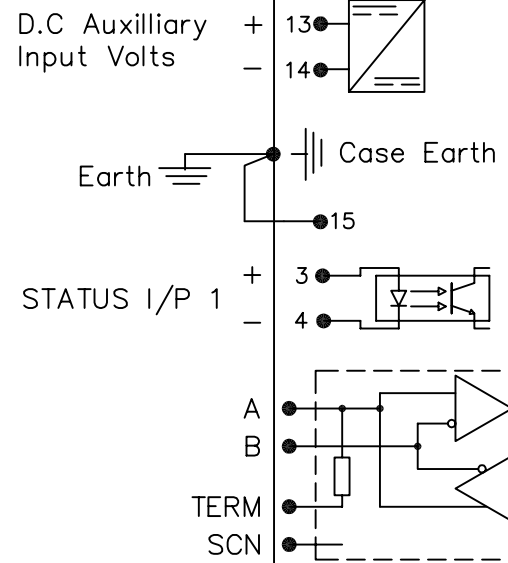
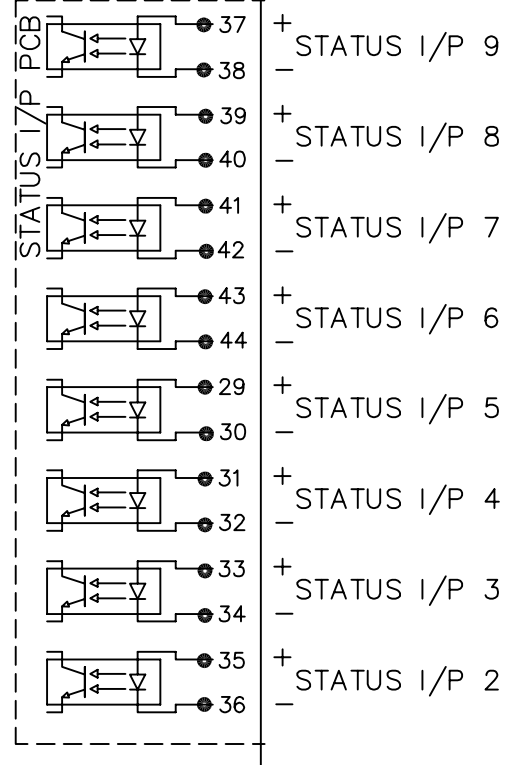
BUSBARS



RHO3 E6 Case Size



RELAY 1
RELAY 2
RELAY 3
RELAY 4
RELAY 5
RELAY 6
RELAY 7



MATERIAL:

Dimensions in millimetres : Surface texture in micrometres.
Machine where marked ✓
For explanation of dimensions, tolerances, notes etc. see B.S.308.
Limit on untoleranced unmachined dimensions ± _____
Limits on untoleranced machined dimensions to B.S.4500;
i.e. up to 6±0.1; over 30 to 120±0.3; over 315±0.8;
over 6 to 30±0.2; over 120 to 315±0.5;
General unmachined angular tolerance ± _____

Finish: _____
Treatment: _____

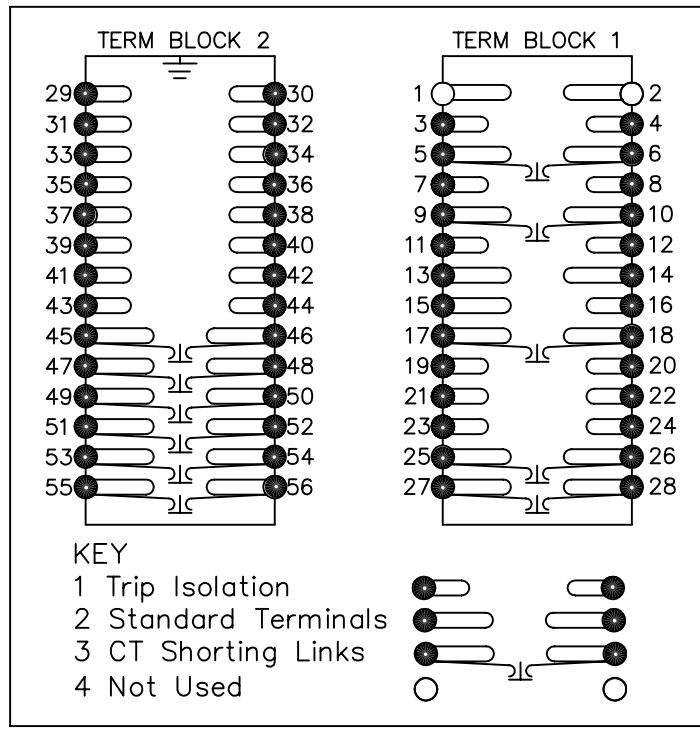
Title:
TYPICAL SCHEMATIC DIAGRAM FOR RHO 3 MOTOR PROTECTION
(LINE CTs ONLY, RS485 COMMS) E6 CASE

**Reyrolle Protection
Hebburn.**

Original Scale:
NTS

First used on:
Similar Articles: 2681W10001
Supersedes:
Drg. No.
2681W10007

TERMINAL BLOCKS VIEWED FROM REAR



KEY
1 Trip Isolation
2 Standard Terminals
3 CT Shorting Links
4 Not Used

**FOR INFORMATION ONLY
UNCONTROLLED COPY
NOT SUBJECT TO UPDATE**

NOTES
1 CT CIRCUITS ARE SHOWN CONNECTED TO RELAY 1 AMP TAP. USE ALTERNATIVE TAP FOR 5AMP RATED CTs.
2 CT & EARTH CONNECTIONS ARE TYPICAL ONLY.
3 FOR TERMINAL IDENTIFICATION & WIRING DIAGRAM SEE 2681W50003 (A3) (EPSILON)