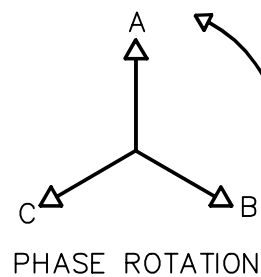
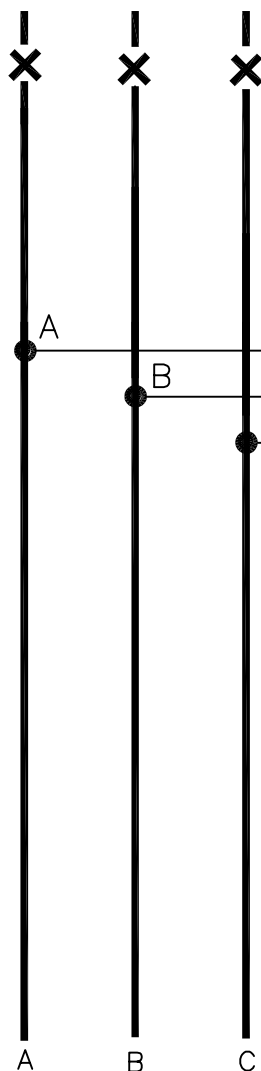


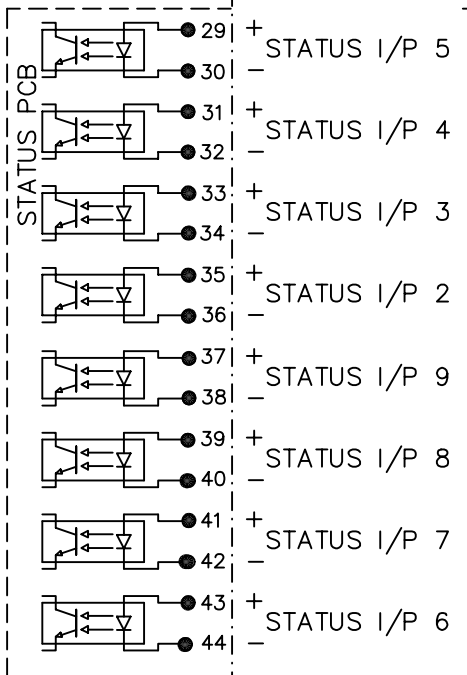
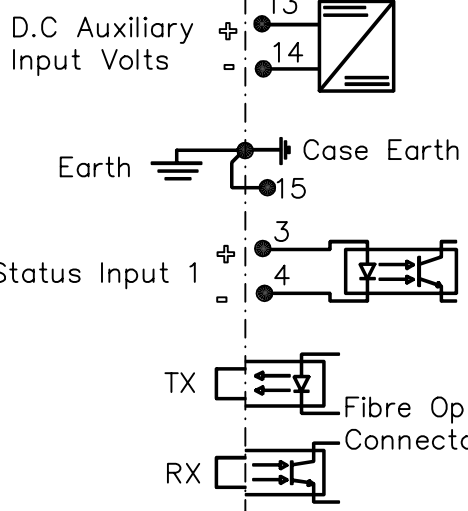
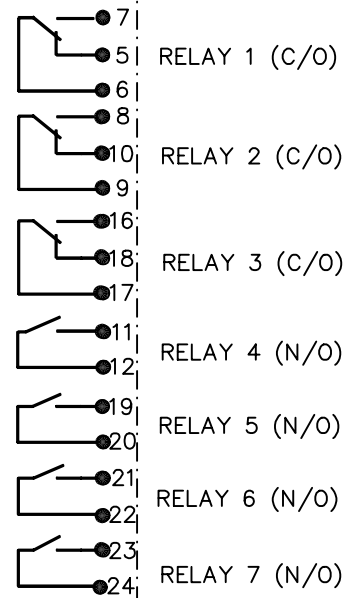
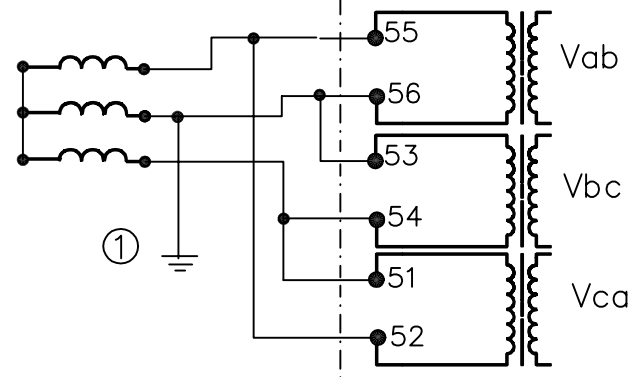
IF IN DOUBT ASK
DO NOT SCALE

A
B
C
D
E

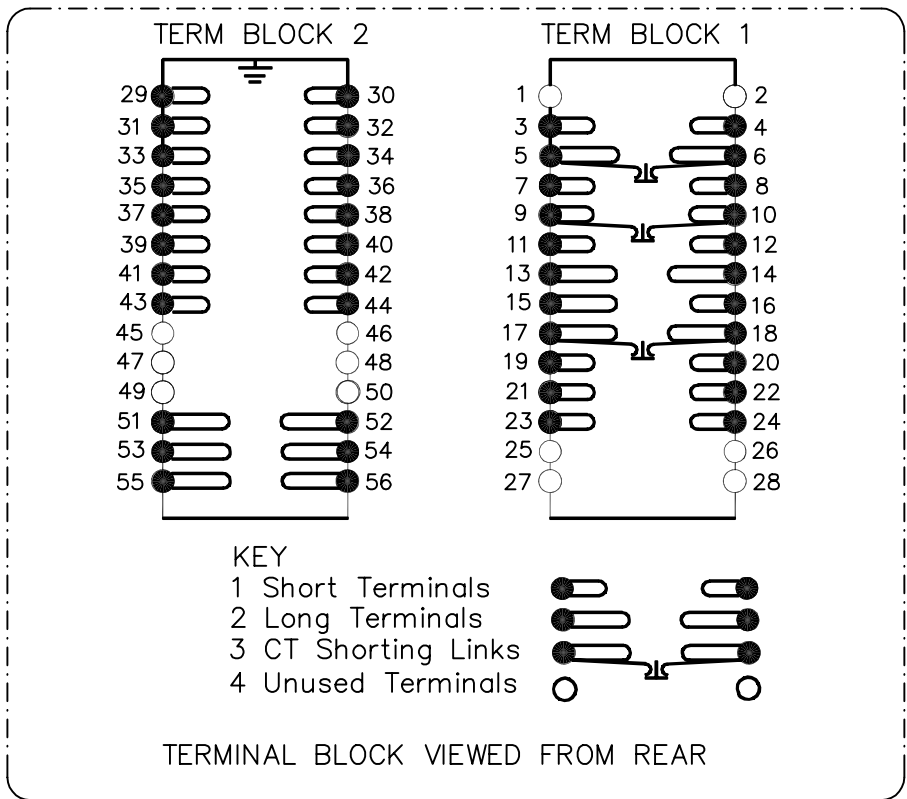
BUSBARS



DBB MODULAR SIZE 6 CASE



CONNECTIONS WHEN EXPANSION BOARD FITTED



NOTES
1 TYPICAL VT EARTHING.
2 FOR TYPICAL SCHEMATIC DIAGRAM SHOWING PHASE-NEUTRAL CONNECTIONS SEE 2422W10006 (A3)

**NOT SUBJECT TO UPDATE
ONCE COPIED / PRINTED
OR DOWNLOADED**

3	RDW	05/01/04	MN422/2604	SPK
2		19/4/02	MN434/2292	
1		28/11/99	CHANGE	
ISSUE		DATE	NOTED	△

MATERIAL:

Dimensions in millimetres : Surface texture in micrometres.
Machine where marked ✓
For explanation of dimensions, tolerances, notes etc. see B.S.308.
Limit on untoleranced unmachined dimensions ± _____
Limits on untoleranced machined dimensions to B.S.4500;
i.e. up to 6±0.1; over 30 to 120±0.3; over 315±0.8;
over 6 to 30±0.2; over 120 to 315±0.5;
General unmachined angular tolerance ± _____

Finish: _____
Treatment: _____

Title:
TYPICAL SCHEMATIC DIAGRAM 3 PHASE VOLTAGE RELAY
PHASE-PHASE CONNECTIONS (OPTION C) ARGUS 8

**Reyrolle Protection
Hebburn.**

Original Scale:
NTS

First used on:
Similar Articles: 2422W10003
Supersedes:
Drg. No.
2422W10004