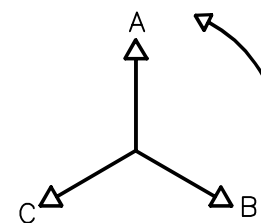
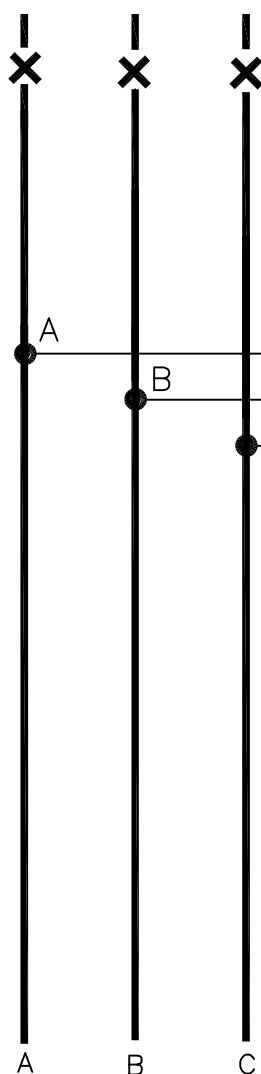




IF IN DOUBT ASK  
DO NOT SCALE

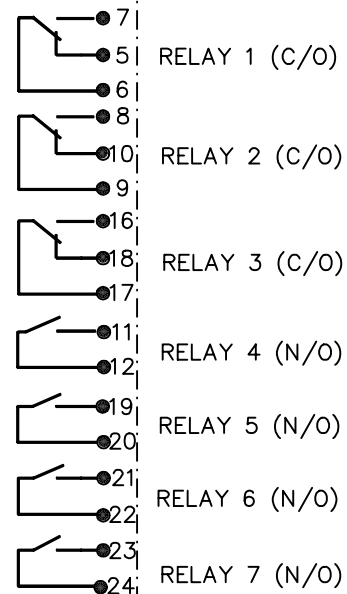
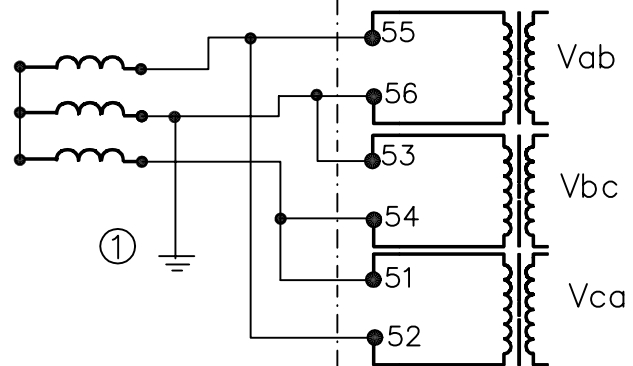
A  
B  
C  
D  
E

BUSBARS

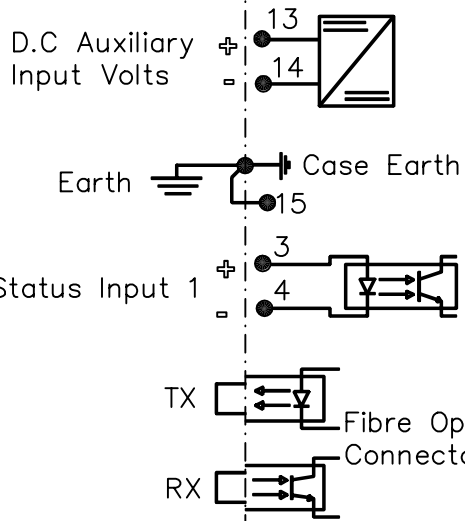
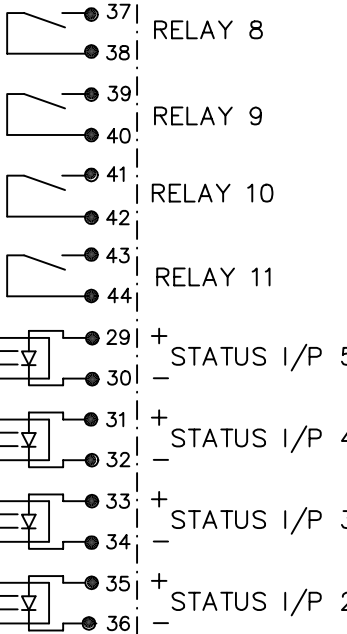


PHASE ROTATION

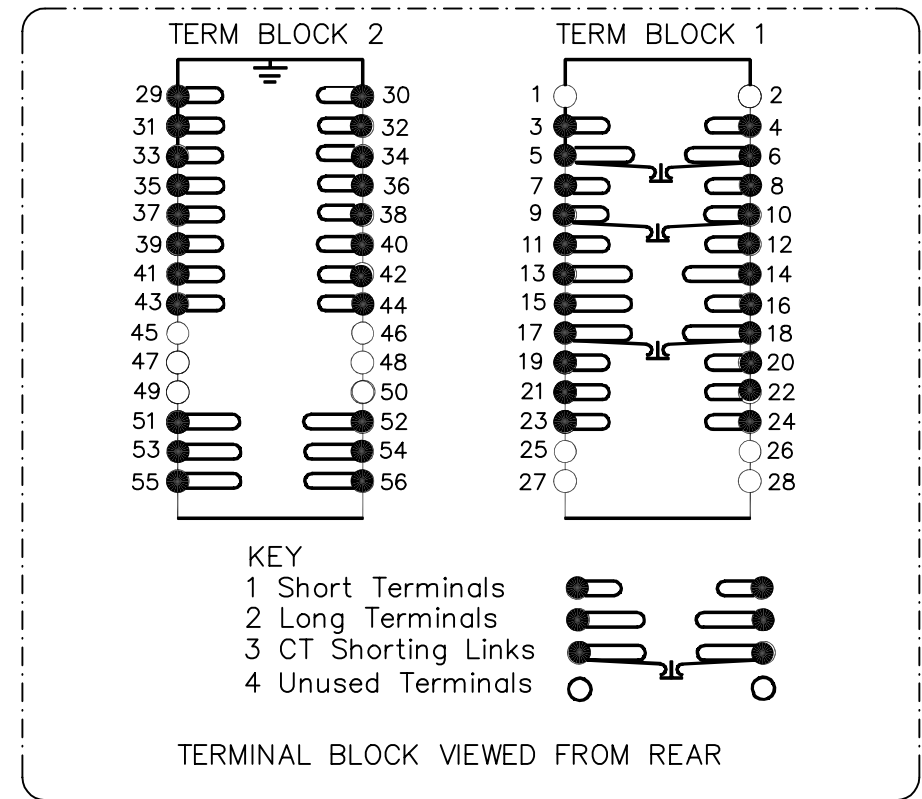
DBB MODULAR SIZE 6 CASE



EXPANSION PCB



CONNECTIONS WHEN EXPANSION BOARD FITTED



NOTES  
1 TYPICAL VT EARTHING.  
2 FOR TYPICAL SCHEMATIC DIAGRAM SHOWING PHASE-NEUTRAL CONNECTIONS SEE 2422W10005 (A3)

NOT SUBJECT TO UPDATE  
ONCE COPIED / PRINTED  
OR DOWNLOADED

3	RDW	05/01/04	MN422/2604	SPK
2		19/4/02	MN434/2292	
1		29/11/99	CHANGE	
ISSUE		DATE	NOTED	△

MATERIAL:

Dimensions in millimetres : Surface texture in micrometres.  
Machine where marked ✓  
For explanation of dimensions, tolerances, notes etc. see B.S.308.  
Limit on untoleranced unmachined dimensions ± \_\_\_\_\_  
Limits on untoleranced machined dimensions to B.S.4500;  
i.e. up to 6±0.1; over 30 to 120±0.3; over 315±0.8;  
over 6 to 30±0.2; over 120 to 315±0.5;  
General unmachined angular tolerance ± \_\_\_\_\_

Finish: \_\_\_\_\_  
Treatment: \_\_\_\_\_

Title:  
TYPICAL SCHEMATIC DIAGRAM 3 PHASE VOLTAGE RELAY  
PHASE-PHASE CONNECTIONS (OPTION B) ARGUS 8

**Reyrolle Protection  
Hebburn.**

First used on: \_\_\_\_\_  
Similar Articles: 2422W10004  
Supersedes: \_\_\_\_\_  
Original Scale: NTS  
Drg. No. 2422W10003