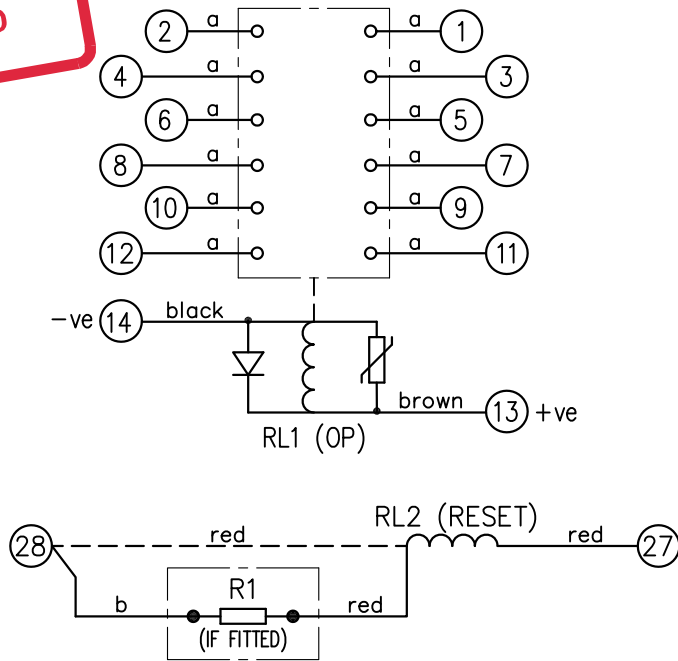


2112W50152

NOT SUBJECT TO UPDATE  
ONCE COPIED / PRINTED  
OR DOWNLOADED

LOOKING ON FRONT OF RELAY



NOTES:

1. RESET COILS ARE NOT CONTINUOUSLY RATED. IT IS RECOMMENDED THAT A N.O. CONTACT IS CONNECTED IN SERIES WITH THE RESET COIL
2. DASHED LINE --- SHOWS CONNECTIONS WHEN RESISTORS ARE NOT FITTED.

| ASSEMBLY WIRES USED |            |        |
|---------------------|------------|--------|
| a                   | 2107B10001 | 12 OFF |
| b                   | 2107D10181 | 1 OFF  |

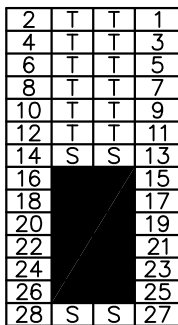
| KEY |                        |
|-----|------------------------|
|     | make contact           |
|     | break contact          |
|     | c/o contact            |
|     | ext. conn              |
|     | plug bridge - shorting |
|     | metering point         |
|     | 5Kv barrier            |
|     | test socket - shorting |
|     | plug & socket          |

| RL2 (RESET) KIT | SOLKIT:6V                          | SOLKIT:6V  | SOLKIT:6V  | SOLKIT:12V | SOLKIT:36V | SOLKIT:36V |
|-----------------|------------------------------------|------------|------------|------------|------------|------------|
| RL1 (OP) COIL   | 2112G20019                         | 2112G20020 | 2112G20022 | 2112G20023 | 2112G20026 | 2112G20029 |
| R1              | NIL                                | 2102C15687 | 2102C25180 | 2102C15270 | NIL        | 2102C15471 |
| Volts dc        | 24                                 | 30         | 48         | 60         | 125        | 240        |
| CONTACT CONFIG. | OUTPUT CONTACT PAIR / TERMINAL No. |            |            |            |            |            |
|                 | 1-3                                | 2-4        | 5-7        | 6-8        | 9-11       | 10-12      |
| 6M              | M                                  | M          | M          | M          | M          | M          |
| 5M 1B           | M                                  | B          | M          | M          | M          | M          |
| 4M 2B           | B                                  | B          | M          | M          | M          | M          |
| 3M 3B           | B                                  | B          | M          | B          | M          | M          |
| 2M 4B           | B                                  | B          | B          | B          | M          | M          |
| 1M 5B           | B                                  | B          | B          | B          | M          | B          |
| 6B              | B                                  | B          | B          | B          | B          | B          |

FRAME REFERENCE: E2FAQM.

FRAME TERMINAL BLOCK ASSY: -

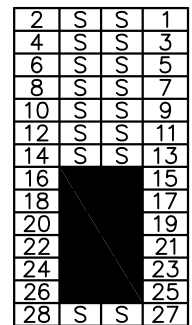
ASSEMBLY INSTRUCTIONS: -  
TYPICAL ASSEMBLY DRAWING 2995G10032.  
AT INDICATED POSITIONS FIT AS FOLLOWS:  
T - FIT TRIP ISOLATION CONTACT 2995B10053  
S - FIT STANDARD CONTACT 2995B10054  
SECURE CONTACTS USING FIXING SCREW 2109F99009.  
POSITIONS SHOWN BLANK ARE UNUSED



VIEW FROM NUMBERED SIDE OF BLOCK

OUTER TERMINAL BLOCK ASSY: -

ASSEMBLY INSTRUCTIONS: -  
TYPICAL ASSEMBLY DRAWING 2995G10029.  
AT INDICATED POSITIONS FIT AS FOLLOWS:  
S - FIT STANDARD CONTACT 2995B10051  
HC - FIT 'HEAVY CURRENT' KIT 2995G10030  
WHERE IS SHOWN FIT CT SHORTING  
KIT 2995G10031  
POSITIONS SHOWN BLANK ARE UNUSED.  
ALL POSITIONS FIT SCREW 2106F12506.



VIEW FROM INSIDE FACE

Copyright © 2002 VATECH REYROLLE ACP Ltd. Hebburn

|                           |      |                 |   |                     |                              |              |
|---------------------------|------|-----------------|---|---------------------|------------------------------|--------------|
| 3 RDW 31/05/11 MN112/3408 |      |                 | Title:<br>T.B. & W.D. FOR AR1-3D/AR1-6D 6C RELAY IN EPSILON E2 CASE |                     | First used on:               |              |
| 2 RDW 10/06/09 MN112/3151 |      |                 | VATECH REYROLLE<br>AUTOMATION, CONTROL & PROTECTION                 |                     | Similar Articles:            |              |
| 1 15/08/02                |      |                 |   |                     | Supersedes:                  |              |
| ISSUE                     | DATE | MOD.No.         | Original Scale.   |                     | Drg.No.<br><b>2112W50152</b> |              |
| DRAWN: A.LAW.             |      | CHECKED: A.LAW. |   | APPROVED: RD.WATSON |                              | DATE: 1/9/02 |
|                           |      |                 | IE:   |                     | OPS:                         |              |