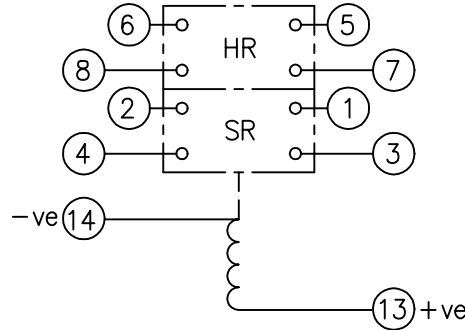


LOOKING ON FRONT OF RELAY



NOT SUBJECT TO UPDATE  
ONCE COPIED / PRINTED  
OR DOWNLOADED

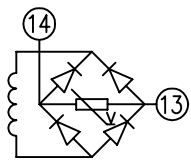
**KEY**

- make contact
- break contact
- c/o contact
- ext. conn
- plug bridge - shorting
- metering point
- 5Kv barrier
- test socket - shorting
- plug & socket

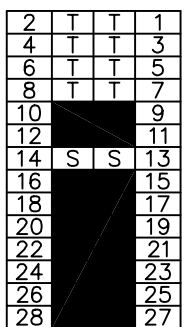
**NOTE:**  
1. HR - HAND RESET / SR - SELF RESET.

CONTACT CONFIG.		OUTPUT CONTACT PAIR / TERMINAL No.					
HR	SR	1-3	2-4	5-7	6-8	9-11	10-12
2M	2M	M	M	M	M		
2M	1M 1B	M	B	M	M		
2M	2B	B	B	M	M		
	2B 2M	M	M	B	B		
	2B 1M 1B	M	B	B	B		
	2B 2B	B	B	B	B		

**NOTE:** WHEN RECTIFIER IS SPECIFIED  
COIL CONNS. ARE AS SHOWN.

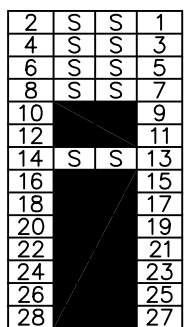


**FRAME REFERENCE: E2FAQQ.**  
**FRAME TERMINAL BLOCK ASSY: -**  
**ASSEMBLY INSTRUCTIONS: -**  
TYPICAL ASSEMBLY DRAWING 2995G10032.  
AT INDICATED POSITIONS FIT AS FOLLOWS:  
T - FIT TRIP ISOLATION CONTACT 2995B10053  
S - FIT STANDARD CONTACT 2995B10054  
SECURE CONTACTS USING FIXING SCREW 2109F99009.  
POSITIONS SHOWN BLANK ARE UNUSED



VIEW FROM NUMBERED SIDE OF BLOCK

**OUTER TERMINAL BLOCK ASSY: -**  
**ASSEMBLY INSTRUCTIONS: -**  
TYPICAL ASSEMBLY DRAWING 2995G10029.  
AT INDICATED POSITIONS FIT AS FOLLOWS:  
S - FIT STANDARD CONTACT 2995B10051  
HC - FIT 'HEAVY CURRENT' KIT 2995G10030  
WHERE IS SHOWN FIT CT SHORTING KIT 2995G10031  
POSITIONS SHOWN BLANK ARE UNUSED.  
ALL POSITIONS FIT SCREW 2106F12506.



VIEW FROM INSIDE FACE

1	23/03/99	MOD.No.	Title. T.B. AND W.D. FOR AR114/AR124 4 CONT. RELAYS IN EPSILON E2 CASE.		First used on:
			<b>Reyrolle Protection Hebburn.</b>	Similar Articles:	
ISSUE	DATE	CHECKED:		APPROVED: R.D.WATSON	DATE: 16/07/02
			Original Scale.		Drg.No. <b>2112W50034</b>
DRAWN: A.LAW.			APPROVED: R.D.WATSON		DATE: 16/07/02
					Copyright © 1998 Reyrolle Ltd.