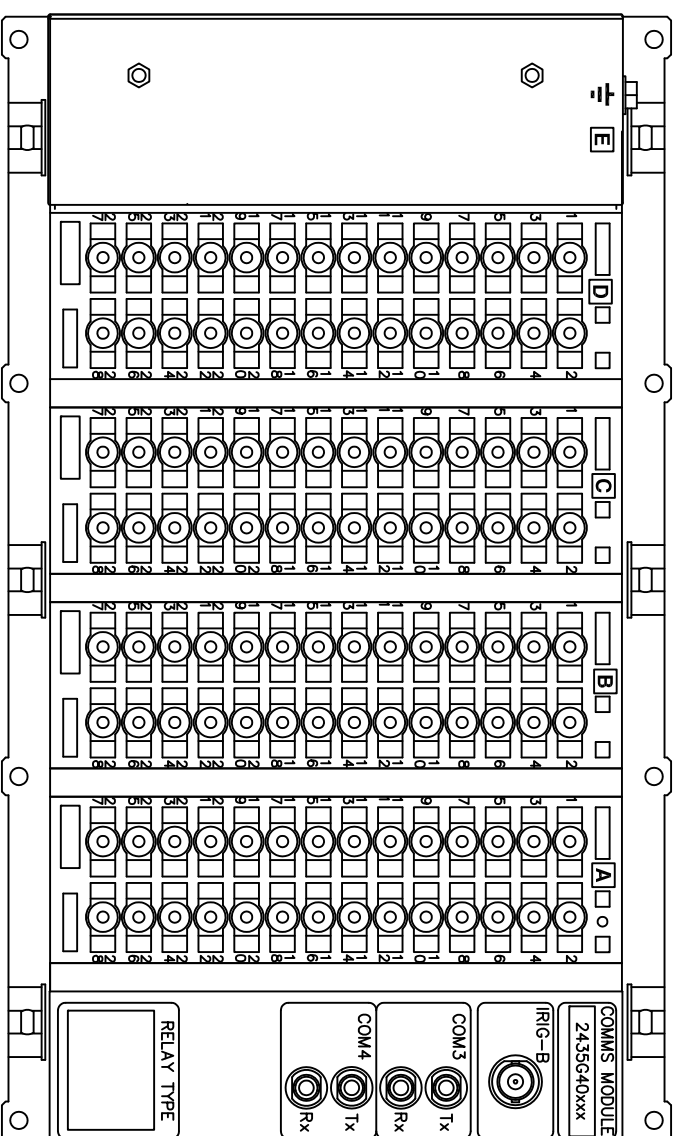


IF IN DOUBT ASK
DO NOT SCALE

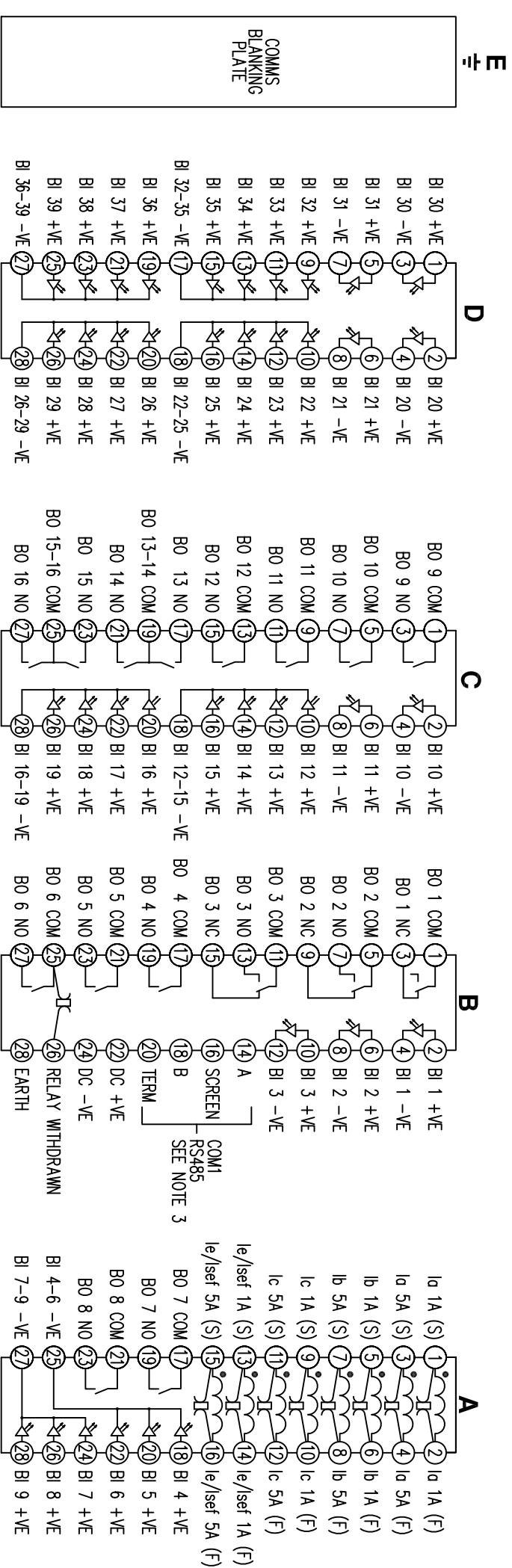
ABBREVIATIONS	
I-	CURRENT INPUTS
V-	VOLTAGE INPUTS
BI-	BINARY INPUTS
BO-	BINARY OUTPUTS
CO-	CHANGE OVER BINARY OUTPUT CONTACTS
NO-	NORMALLY OPEN BINARY OUTPUT CONTACTS
NC-	NORMALLY CLOSED BINARY OUTPUT CONTACTS

COMMUNICATIONS IDENTIFICATION	
COM1	RS485 (ON BLOCK 'B' TERMINALS 14,16,18 & 20)
COM2	USB TYPE 'B' PORT (ON RELAY FRONT LABEL)
COM3	FIBRE OPTIC (ON REAR COMMS MODULE)
COM4	FIBRE OPTIC (ON REAR COMMS MODULE)



- NOTES
- TERMINALS RECOMMENDED ARE PRE-INSULATED & MUST BE CRIMPED USING APPROVED TOOLING.
AMP PIDG OR PLASTI GRIP FUNNEL ENTRY (RING TONGUE) FOR M4 FIXING STUD.
 - FOR OUTLINE & PANEL DRILLING, SEE 2995X10012 (A4).
 - CONNECTIONS TO THIS COMMUNICATIONS FACILITY IS BY SCREENED, TWISTED PAIR CABLE ON SITE.
WHEN WIRING OTHER FACILITIES ENSURE THAT THESE TERMINALS ARE NOT OBSCURED BY OTHER WIRE RUNS.
 - CONTACTS SHOWN THUS ARE INTERNAL RELAY CASE ASSEMBLY AND CLOSE WHEN THE RELAY CHASSIS IS WITHDRAWN FROM THE CASE.
- | SUPPLIER | PART NUMBER | CABLE SIZE |
|----------|-------------|-------------------------|
| AMP | 342103 | 0.25-1.6mm ² |
| AMP | 342143 | 1.0-2.6mm ² |
- OR ANY OTHER MANUFACTURERS EQUIVALENT TERMINAL.

**FOR INTERNAL USE ONLY
UNCONTROLLED COPY
NOT SUBJECT TO UPDATE**



MATERIAL:
Dimensions in millimetres : Surface texture in micrometres.
Machine where marked ∇
For explanation of dimensions, tolerances, notes etc. see B.S.308.
Limit on untoleranced unmachined dimensions \pm _____
Limits on untoleranced machined dimensions to B.S.4500:
i.e. up to 6 \pm 0.1; over 30 to 120 \pm 0.3; over 315 \pm 0.8;
over 6 to 30 \pm 0.2; over 120 to 315 \pm 0.5;
General unmachined angular tolerance \pm _____

Finish: _____
Treatment: _____

Title: _____
TERMINAL ID & WIRING DIAGRAM FOR RM PLATFORM
(4I,39BI,2C0,13NO,1NC,RS485,2FO+IRIG-B) E12 CASE

SIEMENS PROTECTION DEVICES LTD.

Original Scale:
NTS

Dwg. No. **2435W40147**

Copyright © 2017 Siemens Protection Devices Ltd. Hebburn

ISSUE	DATE	CHANGED
1	06/02/17	

DRAWN J SPOWART CHECKED _____ APPROVED N.C. _____ DATE 22/02/2017 IE OPS PCP Purch.Spec. TQ EAC CE STD A3