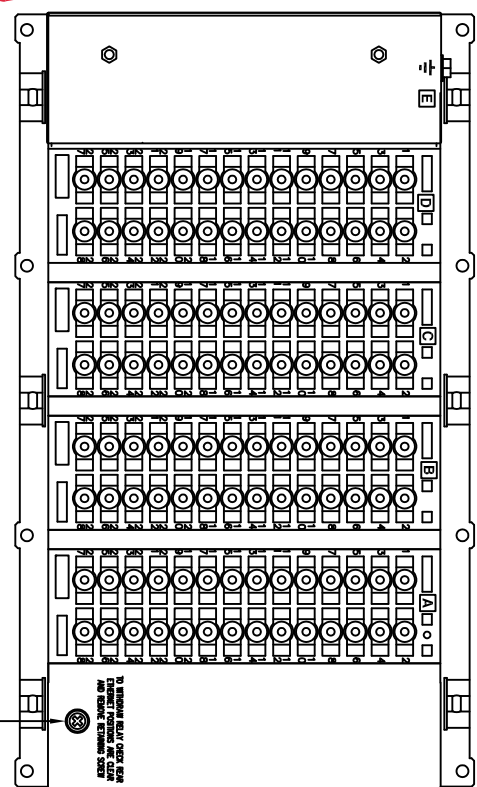


1 IF IN DOUBT ASK
2 DO NOT SCALE

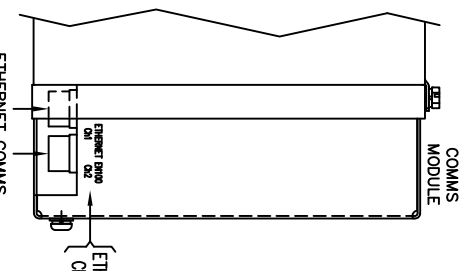
FOR INTERNAL USE ONLY
UNCONTROLLED COPY
NOT SUBJECT TO UPDATE



RELAY VIEWED FROM REAR

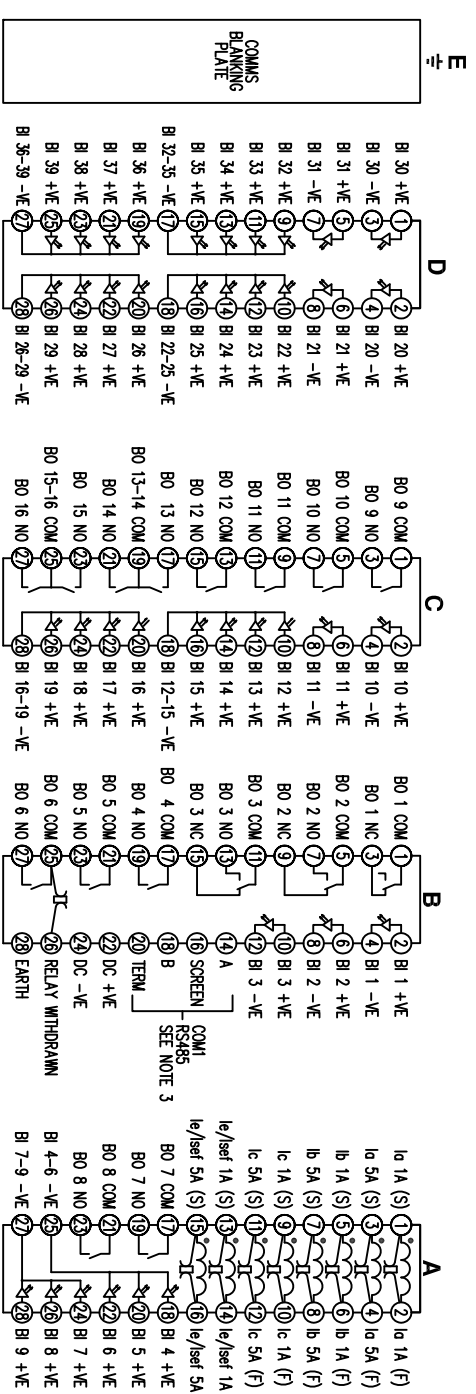
TO WITHDRAW RELAY CHECK REAR
ETHERNET POSITIONS ARE CLEAR
AND REMOVE RETAINING SCREW

ETHERNET COMMS
INPUT CONNECTORS
(SEE NOTE 5)



- NOTES
- 1) TERMINALS RECOMMENDED ARE PRE-INSULATED & MUST BE CRIMPED USING APPROVED TOOLING. AMP PING OR PLASTI GRIP FUNNEL ENTRY (RING TONGUES) FOR M4 FIXING STUD.
 - 2) FOR OUTLINE & PANEL DRILLING, SEE 2996X10021 (A4).
 - 3) CONNECTIONS TO THIS COMMUNICATIONS FACILITY IS BY SCREENED TWISTED PAIR CABLE ON SITE. WHEN MAKING OR FIELD FAULTS ENSURE THAT THESE TERMINALS ARE NOT OBSCURED BY OTHER WIRE RUNS.
 - 4) CONTACTS SHOWN THIS WAY ARE INTERNAL RELAY CASE ASSEMBLY AND CLOSE WHEN THE RELAY CHASSIS IS WITHDRAWN FROM THE CASE.
 - 5) THE ETHERNET PORTS CAN BE EITHER - 2x FIBRE OPTIC, DUPLEX CONNECTORS OR 2x ELECTRICAL, RJ45 CONNECTORS.

ABBREVIATIONS	
I-	CURRENT INPUTS
V-	VOLTAGE INPUTS
BI	BINARY INPUTS
BO	BINARY OUTPUTS
CO	CHANGE OVER BINARY OUTPUT CONTACTS
NO	NORMALLY OPEN BINARY OUTPUT CONTACTS
NC	NORMALLY CLOSED BINARY OUTPUT CONTACTS
SERIAL PORT IDENTIFICATION	
COM1	RS485 (ON BLOCK 'B' TERMINALS 14,16,18 & 20)
COM2	USB TYPE 'B' PORT (ON RELAY FRONT LABEL)
ETHERNET PORT IDENTIFICATION	
OH1	ETHERNET PORT (ON REAR COMMS MODULE)
OH2	ETHERNET PORT (ON REAR COMMS MODULE)



MATERIAL:

Dimensions in millimetres : Surface texture in micrometres.
Machine where marked ✓

For explanation of dimensions, tolerances, notes etc. see B.S.308.
Limit on untoleranced unmachined dimensions ±

Limits on untoleranced machined dimensions to B.S.4500:
i.e. up to 6±0.1; over 30 to 120±0.3; over 315±0.5;
over 6 to 30±0.2; over 120 to 315±0.5;
General unmachined angular tolerance ±

DRAWN J SPOWART CHECKED APPROVED N.C DATE 22/02/2017

Finish: _____
Treatments: _____

Title:
7SRP10, E12, TERMINAL ID & WIRING DIAGRAM
41,39BI,2CO,13NO,1NC,RS485, ETHERNET(X2) COMMS

SIEMENS PROTECTION DEVICES LTD.

Original Scale:

NTS

Dwg. No.

2435W40150

Copyright © 2017 Siemens Protection Devices Ltd. Hebburn

ISSUE	DATE	CHANGE NOTED
1	06/02/17	

OPS PCP Purch.Spec. TQ EAC CE STD A3

WORKS STANDARD & DATE - 10/01/2013