

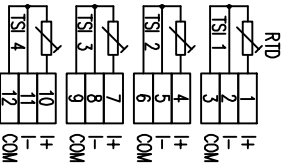
- NOTES**
- 1) TERMINALS RECOMMENDED ARE PRE-INSULATED & MUST BE CRIMPED USING APPROVED TOOLING. AMP P/DG OR PLASTI GRIP FUNNEL ENTRY (RING TONGUE) FOR M4 FIXING STUD.
 - 2) FOR OUTLINE & PANEL DRILLING, SEE 29995X10004 (44), OR ANY OTHER MANUFACTURERS EQUIVALENT TERMINAL.
 - 3) CONNECTIONS TO THIS COMMUNICATIONS FACILITY IS BY SCREENED, TWISTED PAIR CABLE. ON SITE WHEN WIRING OTHER FACILITIES ENSURE THAT THESE TERMINALS ARE NOT OBSCURED BY OTHER WIRE RUNS.
 - 4) CONTACTS SHOWN THIS WAY ARE INTERNAL RELAY CASE ASSEMBLY CONTACTS AND CLOSE WHEN THE RELAY CHASSIS IS WITHDRAWN FROM THE CASE.
 - 5) FOR THE RELAY CASE ASSEMBLY SEE 2436G40047

ABBREVIATIONS

- CURRENT INPUTS
- BI—BINARY INPUTS
- BO—BINARY OUTPUTS
- CO—CHANGE OVER BINARY OUTPUT CONTACTS
- NO—NORMALLY OPEN BINARY OUTPUT CONTACTS
- NC—NORMALLY CLOSED BINARY OUTPUT CONTACTS

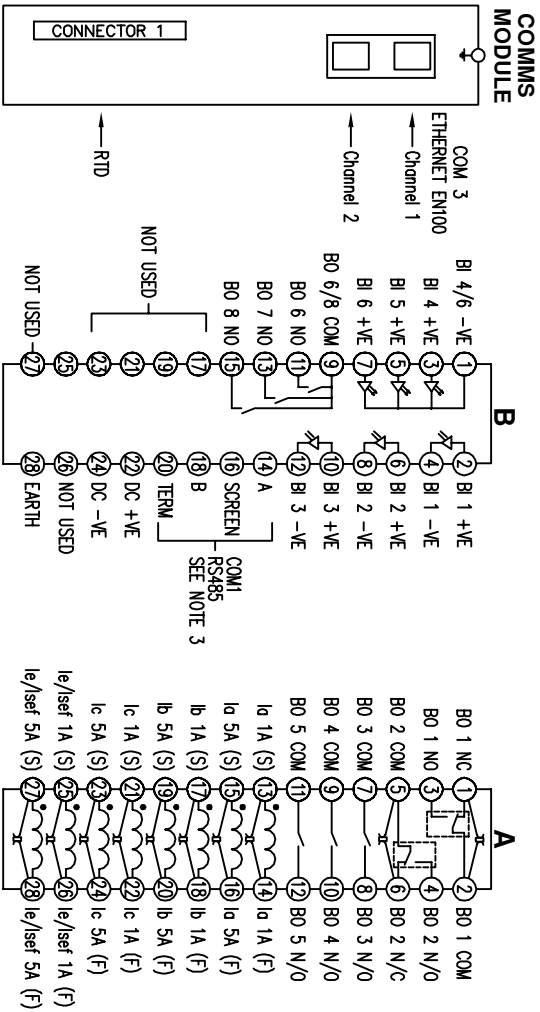
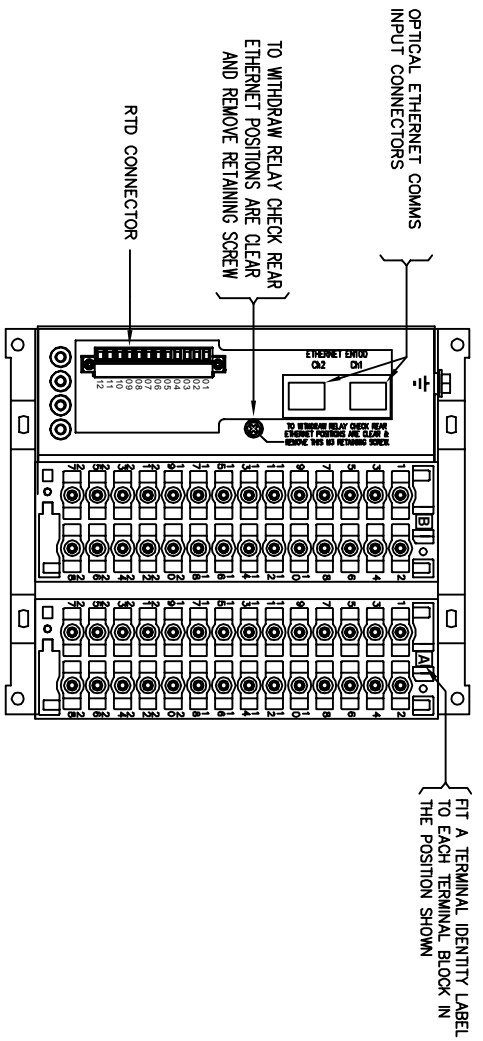
COMMUNICATIONS IDENTIFICATION

- COM1 RS485 (ON BLOCK 'B' TERMINALS 14,16,18 & 20)
- COM2 USE TYPE 'B' PORT (ON RELAY FRONT LABEL)
- COM3 ETHERNET(x2) PORTS (ON REAR COMMS MODULE)



CONNECTOR 1

FOR INTERNAL USE ONLY
UNCONTROLLED COPY
NOT SUBJECT TO UPDATE



| | | | | | | | | | |
|--|-----------------------|--|-----------------------|--|-----------------------|--|-----------------------|--|----------------------|
| FINISH | | Material | | Material Scale | | N.T.S. | | Vollmaßstab | |
| Name | | Name | | Name | | Name | | Name | |
| DRN BY | AMAR | DRN BY | AMAR | DRN BY | AMAR | DRN BY | AMAR | DRN BY | AMAR |
| CHKD BY | JOHN SF | CHKD BY | JOHN SF | CHKD BY | JOHN SF | CHKD BY | JOHN SF | CHKD BY | JOHN SF |
| APPRD BY | JAVANT J | APPRD BY | JAVANT J | APPRD BY | JAVANT J | APPRD BY | JAVANT J | APPRD BY | JAVANT J |
| EM EA PRO R&D | | EM EA PRO R&D | | EM EA PRO R&D | | EM EA PRO R&D | | EM EA PRO R&D | |
| Siemens Ltd | | Siemens Ltd | | Siemens Ltd | | Siemens Ltd | | Siemens Ltd | |
| Document No | | Document No | | Document No | | Document No | | Document No | |
| 2436W40060 | | 2436W40060 | | 2436W40060 | | 2436W40060 | | 2436W40060 | |
| Title | | Title | | Title | | Title | | Title | |
| TERMINAL ID & WIRING DIAGRAM FOR 7SR17 | | TERMINAL ID & WIRING DIAGRAM FOR 7SR17 | | TERMINAL ID & WIRING DIAGRAM FOR 7SR17 | | TERMINAL ID & WIRING DIAGRAM FOR 7SR17 | | TERMINAL ID & WIRING DIAGRAM FOR 7SR17 | |
| 4CT+6BI+8BO(2CO+6NO), OPTICAL ETHERNET(x2), 4RTD | | 4CT+6BI+8BO(2CO+6NO), OPTICAL ETHERNET(x2), 4RTD | | 4CT+6BI+8BO(2CO+6NO), OPTICAL ETHERNET(x2), 4RTD | | 4CT+6BI+8BO(2CO+6NO), OPTICAL ETHERNET(x2), 4RTD | | 4CT+6BI+8BO(2CO+6NO), OPTICAL ETHERNET(x2), 4RTD | |
| Rev | | Rev | | Rev | | Rev | | Rev | |
| 1A | Change | 1A | Change | 1A | Change | 1A | Change | 1A | Change |
| Date | | Date | | Date | | Date | | Date | |
| DRAWING RELEASED | | DRAWING RELEASED | | DRAWING RELEASED | | DRAWING RELEASED | | DRAWING RELEASED | |
| TOLERANCE | | TOLERANCE | | TOLERANCE | | TOLERANCE | | TOLERANCE | |
| 0.2 | 0.1 | 0.2 | 0.1 | 0.2 | 0.1 | 0.2 | 0.1 | 0.2 | 0.1 |
| 0.1 | 0.05 | 0.1 | 0.05 | 0.1 | 0.05 | 0.1 | 0.05 | 0.1 | 0.05 |
| 0.05 | 0.025 | 0.05 | 0.025 | 0.05 | 0.025 | 0.05 | 0.025 | 0.05 | 0.025 |
| 0.025 | 0.01 | 0.025 | 0.01 | 0.025 | 0.01 | 0.025 | 0.01 | 0.025 | 0.01 |
| 0.01 | 0.005 | 0.01 | 0.005 | 0.01 | 0.005 | 0.01 | 0.005 | 0.01 | 0.005 |
| 0.005 | 0.0025 | 0.005 | 0.0025 | 0.005 | 0.0025 | 0.005 | 0.0025 | 0.005 | 0.0025 |
| 0.0025 | 0.001 | 0.0025 | 0.001 | 0.0025 | 0.001 | 0.0025 | 0.001 | 0.0025 | 0.001 |
| 0.001 | 0.0005 | 0.001 | 0.0005 | 0.001 | 0.0005 | 0.001 | 0.0005 | 0.001 | 0.0005 |
| 0.0005 | 0.00025 | 0.0005 | 0.00025 | 0.0005 | 0.00025 | 0.0005 | 0.00025 | 0.0005 | 0.00025 |
| 0.00025 | 0.0001 | 0.00025 | 0.0001 | 0.00025 | 0.0001 | 0.00025 | 0.0001 | 0.00025 | 0.0001 |
| 0.0001 | 0.00005 | 0.0001 | 0.00005 | 0.0001 | 0.00005 | 0.0001 | 0.00005 | 0.0001 | 0.00005 |
| 0.00005 | 0.000025 | 0.00005 | 0.000025 | 0.00005 | 0.000025 | 0.00005 | 0.000025 | 0.00005 | 0.000025 |
| 0.000025 | 0.00001 | 0.000025 | 0.00001 | 0.000025 | 0.00001 | 0.000025 | 0.00001 | 0.000025 | 0.00001 |
| 0.00001 | 0.000005 | 0.00001 | 0.000005 | 0.00001 | 0.000005 | 0.00001 | 0.000005 | 0.00001 | 0.000005 |
| 0.000005 | 0.0000025 | 0.000005 | 0.0000025 | 0.000005 | 0.0000025 | 0.000005 | 0.0000025 | 0.000005 | 0.0000025 |
| 0.0000025 | 0.000001 | 0.0000025 | 0.000001 | 0.0000025 | 0.000001 | 0.0000025 | 0.000001 | 0.0000025 | 0.000001 |
| 0.000001 | 0.0000005 | 0.000001 | 0.0000005 | 0.000001 | 0.0000005 | 0.000001 | 0.0000005 | 0.000001 | 0.0000005 |
| 0.0000005 | 0.00000025 | 0.0000005 | 0.00000025 | 0.0000005 | 0.00000025 | 0.0000005 | 0.00000025 | 0.0000005 | 0.00000025 |
| 0.00000025 | 0.0000001 | 0.00000025 | 0.0000001 | 0.00000025 | 0.0000001 | 0.00000025 | 0.0000001 | 0.00000025 | 0.0000001 |
| 0.0000001 | 0.00000005 | 0.0000001 | 0.00000005 | 0.0000001 | 0.00000005 | 0.0000001 | 0.00000005 | 0.0000001 | 0.00000005 |
| 0.00000005 | 0.000000025 | 0.00000005 | 0.000000025 | 0.00000005 | 0.000000025 | 0.00000005 | 0.000000025 | 0.00000005 | 0.000000025 |
| 0.000000025 | 0.00000001 | 0.000000025 | 0.00000001 | 0.000000025 | 0.00000001 | 0.000000025 | 0.00000001 | 0.000000025 | 0.00000001 |
| 0.00000001 | 0.000000005 | 0.00000001 | 0.000000005 | 0.00000001 | 0.000000005 | 0.00000001 | 0.000000005 | 0.00000001 | 0.000000005 |
| 0.000000005 | 0.0000000025 | 0.000000005 | 0.0000000025 | 0.000000005 | 0.0000000025 | 0.000000005 | 0.0000000025 | 0.000000005 | 0.0000000025 |
| 0.0000000025 | 0.000000001 | 0.0000000025 | 0.000000001 | 0.0000000025 | 0.000000001 | 0.0000000025 | 0.000000001 | 0.0000000025 | 0.000000001 |
| 0.000000001 | 0.0000000005 | 0.000000001 | 0.0000000005 | 0.000000001 | 0.0000000005 | 0.000000001 | 0.0000000005 | 0.000000001 | 0.0000000005 |
| 0.0000000005 | 0.00000000025 | 0.0000000005 | 0.00000000025 | 0.0000000005 | 0.00000000025 | 0.0000000005 | 0.00000000025 | 0.0000000005 | 0.00000000025 |
| 0.00000000025 | 0.0000000001 | 0.00000000025 | 0.0000000001 | 0.00000000025 | 0.0000000001 | 0.00000000025 | 0.0000000001 | 0.00000000025 | 0.0000000001 |
| 0.0000000001 | 0.00000000005 | 0.0000000001 | 0.00000000005 | 0.0000000001 | 0.00000000005 | 0.0000000001 | 0.00000000005 | 0.0000000001 | 0.00000000005 |
| 0.00000000005 | 0.000000000025 | 0.00000000005 | 0.000000000025 | 0.00000000005 | 0.000000000025 | 0.00000000005 | 0.000000000025 | 0.00000000005 | 0.000000000025 |
| 0.000000000025 | 0.00000000001 | 0.000000000025 | 0.00000000001 | 0.000000000025 | 0.00000000001 | 0.000000000025 | 0.00000000001 | 0.000000000025 | 0.00000000001 |
| 0.00000000001 | 0.000000000005 | 0.00000000001 | 0.000000000005 | 0.00000000001 | 0.000000000005 | 0.00000000001 | 0.000000000005 | 0.00000000001 | 0.000000000005 |
| 0.000000000005 | 0.0000000000025 | 0.000000000005 | 0.0000000000025 | 0.000000000005 | 0.0000000000025 | 0.000000000005 | 0.0000000000025 | 0.000000000005 | 0.0000000000025 |
| 0.0000000000025 | 0.000000000001 | 0.0000000000025 | 0.000000000001 | 0.0000000000025 | 0.000000000001 | 0.0000000000025 | 0.000000000001 | 0.0000000000025 | 0.000000000001 |
| 0.000000000001 | 0.0000000000005 | 0.000000000001 | 0.0000000000005 | 0.000000000001 | 0.0000000000005 | 0.000000000001 | 0.0000000000005 | 0.000000000001 | 0.0000000000005 |
| 0.0000000000005 | 0.00000000000025 | 0.0000000000005 | 0.00000000000025 | 0.0000000000005 | 0.00000000000025 | 0.0000000000005 | 0.00000000000025 | 0.0000000000005 | 0.00000000000025 |
| 0.00000000000025 | 0.0000000000001 | 0.00000000000025 | 0.0000000000001 | 0.00000000000025 | 0.0000000000001 | 0.00000000000025 | 0.0000000000001 | 0.00000000000025 | 0.0000000000001 |
| 0.0000000000001 | 0.00000000000005 | 0.0000000000001 | 0.00000000000005 | 0.0000000000001 | 0.00000000000005 | 0.0000000000001 | 0.00000000000005 | 0.0000000000001 | 0.00000000000005 |
| 0.00000000000005 | 0.000000000000025 | 0.00000000000005 | 0.000000000000025 | 0.00000000000005 | 0.000000000000025 | 0.00000000000005 | 0.000000000000025 | 0.00000000000005 | 0.000000000000025 |
| 0.000000000000025 | 0.00000000000001 | 0.000000000000025 | 0.00000000000001 | 0.000000000000025 | 0.00000000000001 | 0.000000000000025 | 0.00000000000001 | 0.000000000000025 | 0.00000000000001 |
| 0.00000000000001 | 0.000000000000005 | 0.00000000000001 | 0.000000000000005 | 0.00000000000001 | 0.000000000000005 | 0.00000000000001 | 0.000000000000005 | 0.00000000000001 | 0.000000000000005 |
| 0.000000000000005 | 0.0000000000000025 | 0.000000000000005 | 0.0000000000000025 | 0.000000000000005 | 0.0000000000000025 | 0.000000000000005 | 0.0000000000000025 | 0.000000000000005 | 0.0000000000000025 |
| 0.0000000000000025 | 0.000000000000001 | 0.0000000000000025 | 0.000000000000001 | 0.0000000000000025 | 0.000000000000001 | 0.0000000000000025 | 0.000000000000001 | 0.0000000000000025 | 0.000000000000001 |
| 0.000000000000001 | 0.0000000000000005 | 0.000000000000001 | 0.0000000000000005 | 0.000000000000001 | 0.0000000000000005 | 0.000000000000001 | 0.0000000000000005 | 0.000000000000001 | 0.0000000000000005 |
| 0.0000000000000005 | 0.00000000000000025 | 0.0000000000000005 | 0.00000000000000025 | 0.0000000000000005 | 0.00000000000000025 | 0.0000000000000005 | 0.00000000000000025 | 0.0000000000000005 | 0.00000000000000025 |
| 0.00000000000000025 | 0.0000000000000001 | 0.00000000000000025 | 0.0000000000000001 | 0.00000000000000025 | 0.0000000000000001 | 0.00000000000000025 | 0.0000000000000001 | 0.00000000000000025 | 0.0000000000000001 |
| 0.0000000000000001 | 0.00000000000000005 | 0.0000000000000001 | 0.00000000000000005 | 0.0000000000000001 | 0.00000000000000005 | 0.0000000000000001 | 0.00000000000000005 | 0.0000000000000001 | 0.00000000000000005 |
| 0.00000000000000005 | 0.000000000000000025 | 0.00000000000000005 | 0.000000000000000025 | 0.00000000000000005 | 0.000000000000000025 | 0.00000000000000005 | 0.000000000000000025 | 0.00000000000000005 | 0.000000000000000025 |
| 0.000000000000000025 | 0.00000000000000001 | 0.000000000000000025 | 0.00000000000000001 | 0.000000000000000025 | 0.00000000000000001 | 0.000000000000000025 | 0.00000000000000001 | 0.000000000000000025 | 0.00000000000000001 |
| 0.00000000000000001 | 0.000000000000000005 | 0.00000000000000001 | 0.000000000000000005 | 0.00000000000000001 | 0.000000000000000005 | 0.00000000000000001 | 0.000000000000000005 | 0.00000000000000001 | 0.000000000000000005 |
| 0.000000000000000005 | 0.0000000000000000025 | 0.000000000000000005 | 0.0000000000000000025 | 0.000000000000000005 | 0.0000000000000000025 | 0.000000000000000005 | 0.0000000000000000025 | 0.000000000000000005 | 0.000000000000000 |