

IF IN DOUBT ASK  
DO NOT SCALE

**NOTES**

1) TERMINALS RECOMMENDED ARE PRE-INSULATED & MUST BE CRIMPED USING APPROVED TOOLING. AMP PIDG OR PLASTI GRIP FUNNEL ENTRY (RING TONGUE) FOR M4 FIXING STUD.

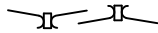
| SUPPLIER | PART NUMBER | CABLE SIZE              |
|----------|-------------|-------------------------|
| AMP      | 342103      | 0.25-1.6mm <sup>2</sup> |
| AMP      | 342143      | 1.0-2.6mm <sup>2</sup>  |

OR ANY OTHER MANUFACTURERS EQUIVALENT TERMINAL.

2) FOR OUTLINE & PANEL DRILLING, SEE 2995X10004 (A4).

3) CONNECTIONS TO THIS COMMUNICATIONS FACILITY IS BY SCREENED, TWISTED PAIR CABLE, ON SITE. WHEN WIRING OTHER FACILITIES ENSURE THAT THESE TERMINALS ARE NOT OBSCURED BY OTHER WIRE RUNS.

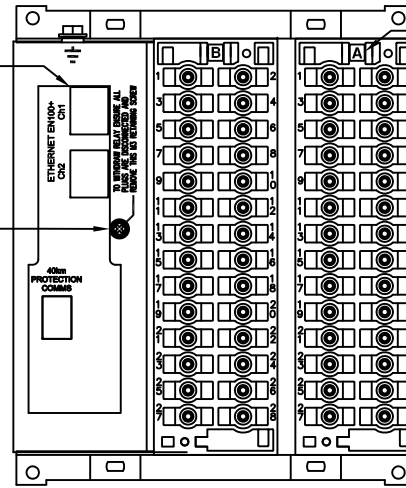
4) CONTACTS SHOWN THUS



ARE INTERNAL RELAY CASE ASSEMBLY CONTACTS AND CLOSE WHEN THE RELAY CHASSIS IS WITHDRAWN FROM THE CASE.

5) FOR THE RELAY CASE ASSEMBLY SEE 2436G40028

ETHERNET COMMS  
INPUT CONNECTORS



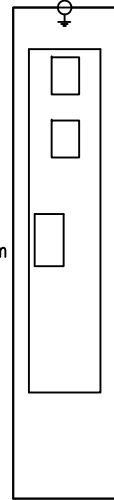
FIT A TERMINAL IDENTITY LABEL  
TO EACH TERMINAL BLOCK IN  
THE POSITION SHOWN

TO WITHDRAW RELAY ENSURE ALL  
PLUGS ARE DISCONNECTED AND  
REMOVE THIS M3 RETAINING SCREW

RELAY VIEWED FROM REAR

**NOT SUBJECT TO UPDATE  
ONCE COPIED / PRINTED  
OR DOWNLOADED**

**COMMS  
MODULE**



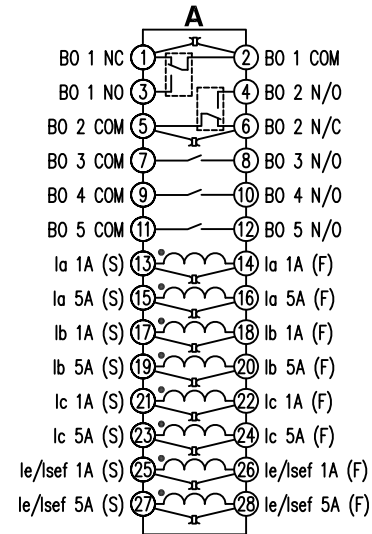
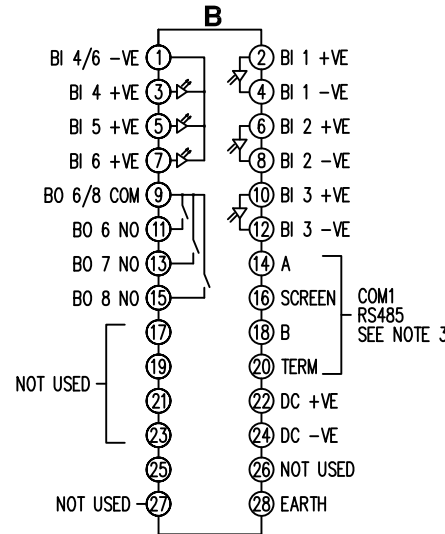
COM 3  
ETHERNET EN100-E  
← Channel 1

← Channel 2

COM 4  
FIBRE OPTIC 40Km

| ABBREVIATIONS |  |
|---------------|--|
| I-            | CURRENT INPUTS                         |
| BI-           | BINARY INPUTS                          |
| BO-           | BINARY OUTPUTS                         |
| CO-           | CHANGE OVER BINARY OUTPUT CONTACTS     |
| NO-           | NORMALLY OPEN BINARY OUTPUT CONTACTS   |
| NC-           | NORMALLY CLOSED BINARY OUTPUT CONTACTS |

| COMMUNICATIONS IDENTIFICATION |   |
|-------------------------------|---|
| COM1                          | RS485 (ON BLOCK 'B' TERMINALS 14,16,18 & 20)    |
| COM2                          | USB TYPE 'B' PORT (ON RELAY FRONT LABEL)        |
| COM3                          | ETHERNET(x2) PORTS (ON REAR COMMS MODULE)       |
| COM4                          | FIBRE OPTIC LC CONNECTOR (ON REAR COMMS MODULE) |



**MATERIAL:**

Dimensions in millimetres : Surface texture in micrometres.

Machine where marked ✓

For explanation of dimensions, tolerances, notes etc. see B.S.308.

Limit on untoleranced unmachined dimensions ±

Limits on untoleranced machined dimensions to B.S.4500;

i.e. up to 6±0.1; over 30 to 120±0.3; over 315±0.8;

over 6 to 30±0.2; over 120 to 315±0.5;

General unmachined angular tolerance ±

Finish:

Treatment:

Title:

TERMINAL ID & WIRING DIAGRAM FOR 7SR1 PLATFORM  
4CT+6BI+8BO(2CO+6NO), F.O. 40Km EN100-E

**SIEMENS PROTECTION DEVICES LTD.**

Original Scale.

NTS

First used on:

Similar Articles:

Supersedes:

Dr. No.

2436W40028

Copyright © 2015 Siemens Protection Devices Ltd. Hebburn

|       |          |              |
|-------|----------|--------------|
| 1     | 09/12/15 | CHANGE NOTED |
| ISSUE | DATE     |              |